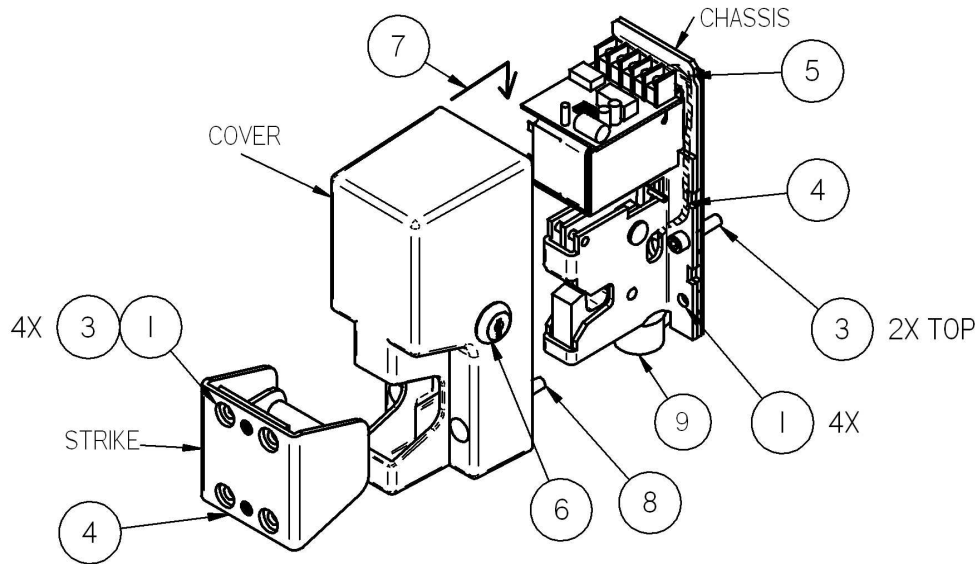
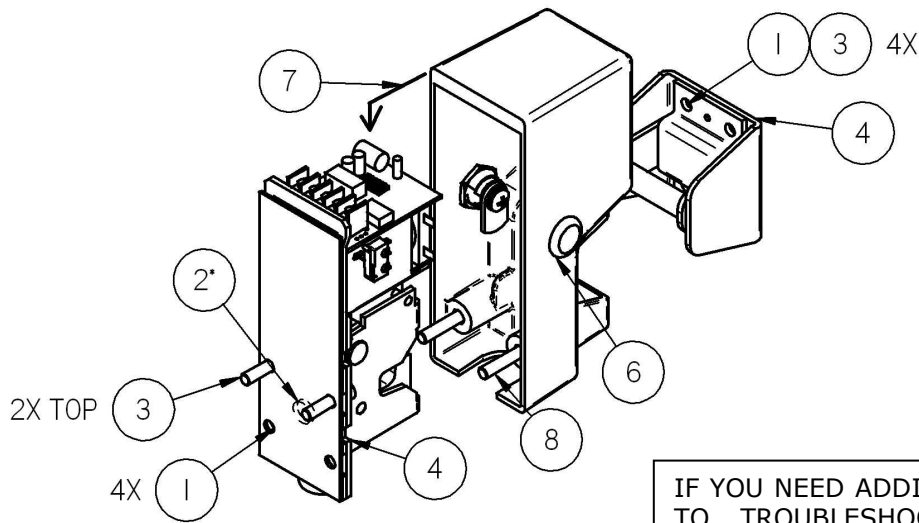


**GL1 QUICK START GUIDE**



- 1) USE SUPPLIED TEMPLATE TO LOCATE AND INSTALL MOUNTING HARDWARE
- 2) CUT THRU GASKET FOR REAR WIRE HOLE ACCESS IF REQUIRED
- 3) INSTALL MOUNTING SCREWS - TOP CHASSIS HOLES ONLY!
- 4) WELD WITHIN PROVIDED CHASSIS SLOTS AND/OR STRIKE PLATE EDGES
- 5) ROUTE AND CONNECT WIRING - VERIFY OPERATION OF THE LOCK AT THIS POINT
- 6) INSTALL CAMLOCK AND PLUG IN COVER
- 7) INSTALL COVER OVER TOP AND SLIDE DOWN INTO POSITION
- 8) INSTALL COVER SCREWS
- 9) PLUG CONDUIT FITTING IF NOT USED, WELD PLUG FOR MAXIMUM SECURITY



IF YOU NEED ADDITIONAL HELP REFER TO TROUBLESHOOTING GUIDE ON PAGES 14-15 OF "INSTALLATION AND OPERATING INSTRUCTIONS"