



SMARTRAK®

The entry level packing system

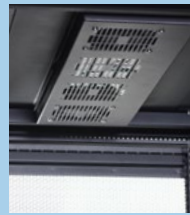
Cost effective
Assemble friendly
Flat-packed for shipping



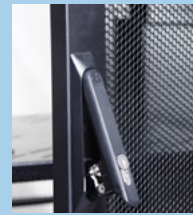
SMARTRAK®

SMARTRAK® is a Multi-Purpose mounting racking system that allows for 19" / ETSI / Metric equipment to be mounted in a cabinet.

This strong and versatile cabinet is suitable for large cable management from the top and bottom for both 600mm and 800mm width end frames. MVS version with 1,000mm depth is suitable for multi-vendor server installation.



Roof mounted fan tray with fan



Robust swing handle lock set



Plinth, heavy duty castor, adjustable feet

FEATURES

- Supplied fully assembled and configured with accessories
- Load rating of 1,000kg Static Weight Load (SWL)
- Front and rear full honeycomb perforation with robust swing handle lock
- 3 Heights - 27U, 42U and 45U
- 2 width options - 600mm and 800mm
- 2 depth options - 800mm and 1,000mm
- Cable entry provided for the top and bottom
- Power strip - 9 way 13A (option)
- Top fan tray for 2 fans (option)
- Standard 19" panel mounts
- Quick release side panel, lock
- Adjustable feet, 100mm plinth and heavy duty castors
- Fine textured black

ORDERING INFORMATION

Height (U)	W x D (mm)	W x D (mm)	W x D (mm)	W x D (mm)
	600 x 800	600 x 1,000	800 x 800	800 x 1,000
27U	SM 6827	SM 6127	SM 8827	SM 8127
42U	SM 6842	SM 6142	SM 8842	SM 8142
45U	SM 6845	SM 6145	SM 8845	SM 8145

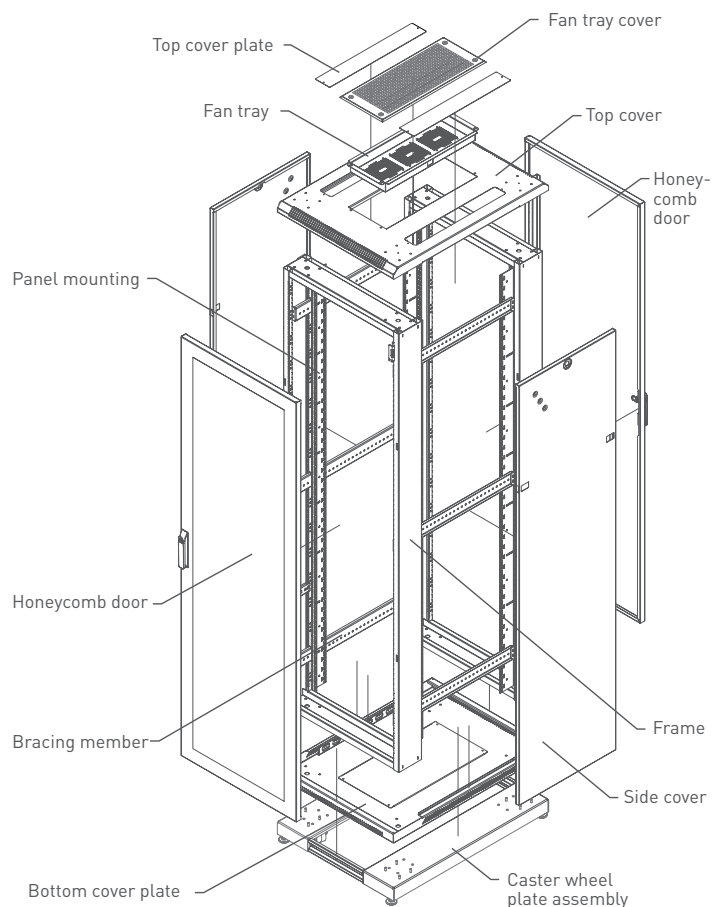
SmartRak® - Dimensions and mounting positions

Height (U)	DIM 'A' (mm)	DIM 'B' (mm)
27U	1,294.95	1,200.15
42U	1,961.70	1,866.90
45U	2,095.05	2,000.25

Width (mm)	External	Mounting
600	600	465.30
800	800	665.30

Depth (mm)	External	Mounting
800	800	540
1,000	1,000	740

Description	DIM 'C'
Metal plinth	100mm
Heavy duty castor wheel	92.1mm
Adjustable feet	Min. 25 Max. 40
Adjustable foot adaptor	Add 56mm to adjustable feet



Standards

- IEC 297-2
- DIN 41494, part 7
- DIN 41491, part 1 (mounting dimension)
- EN 60950
- VDE 0100
- EIA-310-D
- 1U = 44.45mm

