

DS-2XM6622(D)FWD-I 2.0MP ICR Mobile Network Turret Camera



Key Features

- Up to 2.0 megapixel high resolution
- Support Smart IR, Up to 3m IR range
- IR cut filter with auto switch
- Support on-board storage, up to 128GB
- Build-in microphone
- 120dB Wide Dynamic Range
- 3D Digital Noise Reduction
- Backlight Compensation
- Auto Electronic Shutter



Specifications

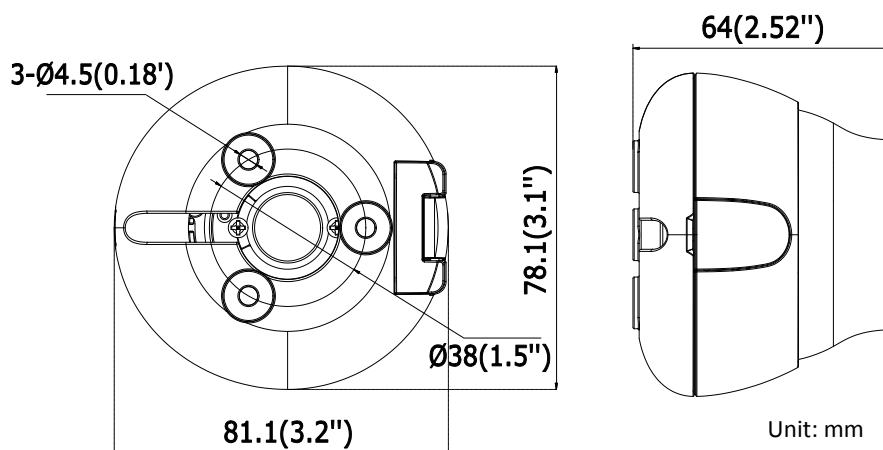
Camera	
Image Sensor	1/2.8" Progressive Scan CMOS
Min. Illumination	0.01Lux @ (F1.2, AGC ON), 0 Lux with IR 0.028Lux @ (F2.0, AGC ON), 0 Lux with IR
Shutter Speed	1/3 s to 1/100,000 s
Lens	4mm, horizontal field of view: 90°; [2.8mm (109.4°); 6mm (53.9°); 8mm (37.9°); 12mm (24.3°), optional]
Lens Mount	M12
Day & Night	IR cut filter with auto switch
DNR	3D DNR
Wide Dynamic Range	120dB
Angle Adjustment	Tilt: -20° to 20°, Rotation: 0° to 360°
Compression Standard	
Video Compression	H.264/MJPEG
H.264 Type	Main Profile
Video Bit Rate	32 Kbps to 16 Mbps
Audio Compression	G.711/G.726/MP2L2/G722.1
Audio Bit Rate	64Kbps(G.711)/16Kbps(G.726)/32Kbps to 128Kbps(MP2L2)/32Kbps(G722.1)
Dual Streams	Support
Image	
Max. Resolution	1920 × 1080
Main Stream	50Hz: 25fps (1920 × 1080, 1280 × 960, 1280 × 720) 60Hz: 30fps (1920 × 1080, 1280 × 960, 1280 × 720)
Sub Stream	50Hz: 25fps (352 × 288, 640 × 360) 60Hz: 30fps (352 × 240, 640 × 360)
Image Settings	Saturation, Brightness, Contrast, etc., adjustable by client software or web browser
Backlight Compensation	Support, zone optional
Region of Interest	Support one customized region for each stream
Network	
Network Storage	Support Micro SD/SDHC/SDXC card (up to 128 GB) local storage and NAS (NFS,SMB/CIFS)
Alarm Trigger	Intrusion Detection, Line Crossing Detection, Motion Detection, Dynamic Analysis, Video Tampering Detection, HDD Full, HDD Error, Network Disconnected, IP Address Conflicted
Protocols	TCP/IP, UDP, ICMP, HTTP, HTTPS, FTP, DHCP, DNS, DDNS, RTP, RTSP, RTCP, PPPoE, NTP, UPnP, SMTP, SNMP, IGMP, QoS, IPv6, Bonjour
Standard	ONVIF (PROFILE S, PROFILE G), PSIA, CGI, ISAPI
General Function	Mirror, Dual Streams, Anti-Flicker, Watermark, Password Protection, Privacy Mask
Interface	
Communication Interface	1 RJ45 10M/100M Ethernet port
On-board Storage	Built-in Micro SD/SDHC/SDXC slot, up to 128GB

General	
Operating Conditions	-30°C to 60 °C (-22 °F to 140 °F), Humidity 10% to 90% (non-condensing)
Power Supply	DC12V ± 10%
Power Consumption	Max. 3.5W
Cable Length	0.8 m
IR Range	Approx. 3 meters
Dimensions	81.1 × 78.1 × 64 (3.2" × 3.1" × 2.52")
Weight	400g (0.88 lbs)

Order Models

DS-2XM6622FWD-I (Support SD card, true WDR, IR, PoE)
 DS-2XM6622DFWD-I (Support SD card, true WDR, IR)

Dimension



Distributed by



Headquarters

No.555 Qianmo Road, Binjiang District,
 Hangzhou 310051, China
 T +86-571-8807-5998
 overseasbusiness@hikvision.com

Hikvision USA
 T +1-909-895-0400
 sales.usa@hikvision.com

Hikvision Europe
 T +31-23-5542770
 saleseuro@hikvision.com

Hikvision Middle East
 T +971-4-8816086
 salesme@hikvision.com

Hikvision Russia
 T +7-495-669-67-99
 saleru@hikvision.com

Hikvision India
 T +91-22-28469900
 sales@pramahikvision.com

Hikvision Italy
 T +39-0438-6902
 info.it@hikvision.com

Hikvision France
 T +33(0)1-85-330-444
 info.fr@hikvision.com

Hikvision Spain
 T +34-91-737-16-55
 info.es@hikvision.com

Hikvision Poland
 T +48-22-460-01-50
 poland@hikvision.com

Hikvision UK
 T +44-1628-9021-4
 support.uk@hikvision.com

Hikvision Singapore
 T +65-6684-4718
 sg@hikvision.com

Hikvision Oceania
 T +61-2-8599-4233
 salesau@hikvision.com

Hikvision Hong Kong
 T +852-2151-1761

Hikvision Canada
 T +1-909-895-0400
 sales.usa@hikvision.com