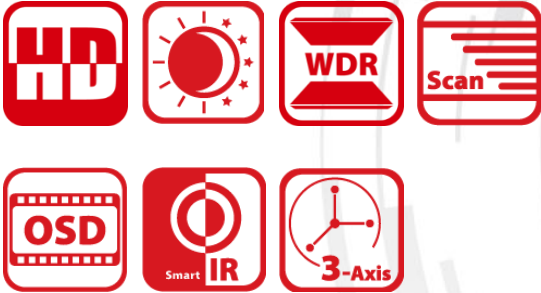


AE-VC211T-IRS series HD 1080P Mini Dome Camera



Key Features

- 2 megapixel progressive CMOS sensor
- Up to 1080p resolution
- OSD menu, DNR, Smart IR, AGC
- IR cut filter
- True WDR
- Internal 3-axis adjustment
- Built-in microphone
- Up the Coax (HIKVISION-C)



Specifications

| Camera | |
|----------------------|--|
| Image Sensor | 2 megapixel progressive CMOS sensor |
| Signal System | PAL/NTSC |
| Effective Pixels | 1964 (H) × 1116 (V) |
| Min. illumination | 0.01 Lux @ (F1.2, AGC ON), 0 Lux with IR |
| Shutter Time | 1/25 s (1/30 s) to 1/50,000 s |
| Lens | 3.6 mm (2.8 mm, and 6 mm are selectable) |
| Lens Mount | M12 |
| Day & Night | IR cut filter |
| Angle Adjustment | Pan: -30° to 30°, Tilt: 0° to 75°, Rotate: -180° to 180° |
| Synchronization | Internal Synchronization |
| True WDR | > 120 dB |
| Video Frame Rate | 1080p@25fps, 1080p@30fps |
| S/N Ratio | > 62 dB |
| Interface | |
| Video Out | 1-ch, Aviation Port |
| Audio In | Built-in Microphone |
| Audio Out | 1-ch, Aviation Port (Linear Level, 1KΩ) |
| Aviation Plug | Pin 1: Video, Pin 2: Audio, Pin 3: Power, Pin 4: GND |
| Menu | |
| AGC | Low/Middle/High/OFF |
| D/N Mode | Color/BW/SMART |
| White Balance | Manual/Auto |
| BLC | Support |
| Language | Chinese/English |
| Functions | Brightness, Contrast, Saturation, Sharpness, Digital noise reduction, Mirror |
| General | |
| Operating Conditions | Temperature: -40 °C to 60 °C (-40 °F to 140 °F), Humidity: 90% or less (no condensation) |
| Power Supply | 12 V DC±15% |
| Power Consumption | Max. 4 W |
| Protection Level | IK 07 |
| IR Distance | 10 m to 20 m |
| Dimensions | 97 mm × 99.5 mm × 46.6 mm (3.82" × 3.92" × 1.83") |
| Weight | Approx. 300 g (0.66 lb.) |

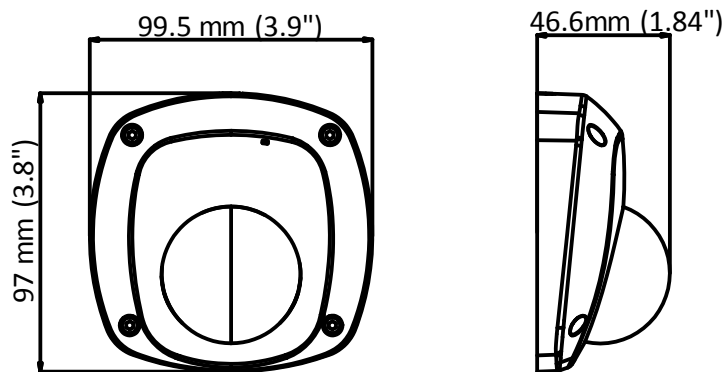
Order Models

AE-VC211T-IRS (2.8mm)

AE-VC211T-IRS (3.6mm)

AE-VC211T-IRS (6mm)

Dimensions



Accessories



DS-1280ZJ-XS
Junction box



DS-1H18
Video Balun



X41T
Camera Tester

Distributed by



Headquarters

No.555 Qianmo Road, Binjiang District,
Hangzhou 310051, China
T +86-571-8807-5998
overseasbusiness@hikvision.com

Hikvision USA
T +1-909-895-0400
sales.usa@hikvision.com

Hikvision Italy
T +39-0438-6902
info.it@hikvision.com

Hikvision Singapore
T +65-6684-4718
sg@hikvision.com

Hikvision Europe
T +31-23-5542770
saleseuro@hikvision.com

Hikvision France
T +33(0)1-85-330-444
info.fr@hikvision.com

Hikvision Oceania
T +61-2-8599-4233
salesau@hikvision.com

Hikvision Middle East
T +971-4-8816086
salesme@hikvision.com

Hikvision Spain
T +34-91-737-16-55
info.es@hikvision.com

Hikvision Hong Kong
T +852-2151-1761

Hikvision Russia
T +7-495-669-67-99
saleru@hikvision.com

Hikvision Poland
T +48-22-460-01-50
poland@hikvision.com

Hikvision Canada
T +1-909-895-0400
sales.usa@hikvision.com

Hikvision India
T +91-22-28469900
sales@pramahikvision.com

Hikvision UK
T +44-1628-9021-4
support.uk@hikvision.com