

DS-2TD2136-7/10/15/25/35

Thermal Network Outdoor Bullet Camera

- 384 x 288 Resolution
- Vanadium Oxide Uncooled FPA
- 7 mm, 10 mm, 15 mm, 25 mm, and 35 mm Lens Options
- NETD <50 mk
- Adaptive AGC, 3D DNR
- Dynamic Detail Enhancement
- Smart Features
 - Line Crossing, Intrusion, Region Entrance/Exit
 - Temperature Exception
 - Advanced Fire Detection
- 14 Pseudo Colors Adjustable
- Includes Conduit Base
- IP66
- POE+ (802.3at), 24 VAC/12 VDC, 8 W



The Hikvision DS-2TD2136-7, DS-2TD2136-10, DS-2TD2136-15, DS-2TD2136-25, and DS-2TD2136-35 Thermal Network Bullet Cameras use a vanadium oxide uncooled focal plane sensor to enhance the thermal image quality.

The high sensitivity sensor has 384 x 288 resolution and features contrast adjustment for optimized images. AGC (Automatic Gain Control), 3D DNR (Dynamic Noise Reduction), and Dynamic Detail Enhancement further enhance image quality.

This series of cameras also features advanced fire detection and a wide range of Smart functions, including temperature exception, line

crossing, intrusion, and region entrance and exit, benefitting users with great improvements in security efficiency and, more importantly, with key events and objects being recorded for further forensic needs.

The cameras can be outfitted with a 10 mm, 15 mm, 25 mm, or 35 mm lens to cover a variety of needs.

Available Models:

- DS-2TD2136-7 (7 mm lens)
- DS-2TD2136-10 (10 mm lens)
- DS-2TD2136-15 (15 mm lens)
- DS-2TD2136-25 (25 mm lens)
- DS-2TD2136-35 (35 mm lens)



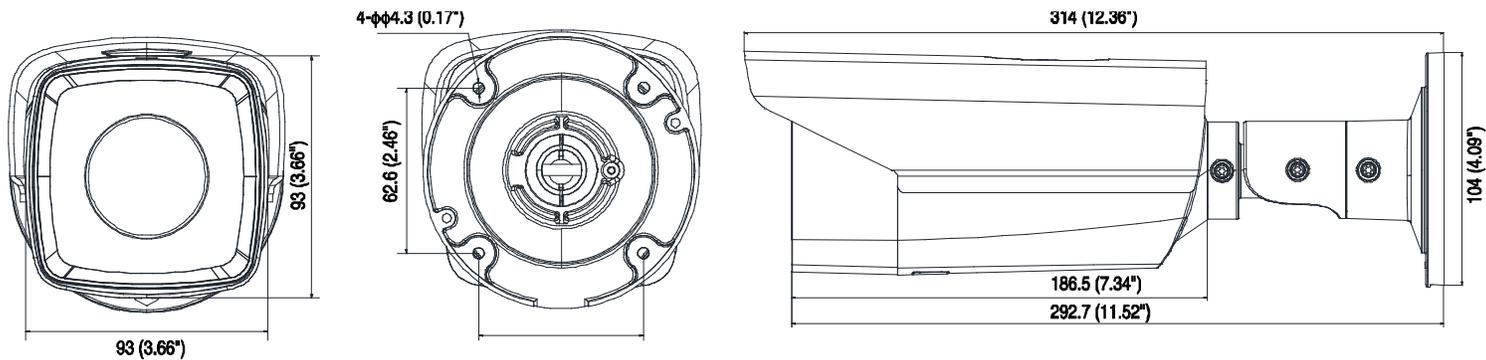
	DS-2TD2136-7	DS-2TD2136-10	DS-2TD2136-15	DS-2TD2136-25	DS-2TD2136-35
Thermal Module					
Image Sensor	Vanadium oxide uncooled focal plane arrays				
Maximum Resolution	384 x 288				
Response Waveband	8 μm to 14 μm				
NETD	<50 mk (@ 25° C, F# = 1.0)				
Lens (Focal Length)	7 mm	10 mm	15 mm	25 mm	35 mm
Mrad	2.43	1.70	1.13	0.68	0.49
Field of View	60° x 43.8°	36° x 27°	24.55° x 18.54°	14.88° x 11.19°	10.66° x 8.002°
Min. Focusing Distance	0.8 m	1 m	2.5 m	13 m	40 m
f/ Number	1.0				
Smart Function					
VCA	Supports 4 VCA rule types (line crossing, intrusion, region entrance, and region exiting), and 8 VCA rules.				
Temperature Measurement	Supports 3 temperature measurement rule types, 21 rules (10 points, 10 regions, and 1 line)				
Temperature Range	-4° F to 302° F (-20° C to 150° C)				
Temperature Accuracy	± 14.4° F (8° C)				
Fire Detection	Supports 10 fire points				
Network					
Main Stream	50 fps (384 x 288)				
Sub Stream	50 fps (384 x 288)				
Third Stream	50 fps (384 x 288)				
Video compression	H.264/MJPEG/MPEG4, H.264+ encoding with baseline/main/high profile				
Audio Compression	G.711u/G.711a/G.722.1/MP2L2/G.726/PCM				
Protocols	IPv4/IPv6, HTTP, HTTPS, 802.1x, QoS, FTP, SMTP, UPnP, SNMP, DNS, DDNS, NTP, RTSP, RTCP, RTP, TCP, UDP, IGMP, ICMP, DHCP, PPPoE, Bonjour				
Simultaneous Live Views	Up to 20				
User/Host Levels	Up to 32 users, 3 levels: administrator, operator, user				
Security Measures	User authentication (ID and PW), MAC address binding, HTTPS encryption, IEEE 802.1x access control, IP address filtering				
Integration					
Alarm Inputs	2-ch inputs (0 to 5 VDC)				
Alarm Outputs	2-ch relay output, alarm linkage support				
Alarm Actions	Preset / patrol scan / pattern scan / SD card record / relay output / smart capture / FTP upload / email linkage				
Audio Inputs	1-3.5 mm microphone in/line in interface. Line input: 2-2.4 V[p-p], output impedance: 1 kΩ ± 10%				
Audio Output	Line level, impedance: 600 Ω				
Communication Interface	Built-in RJ45: 10M/100M Ethernet interface				
Ethernet	1 RJ-45 10M/100M self-adaptive Ethernet interface				
SD Memory Card	Built-in microSD / SDHC / SDXC card slot (up to 64 GB), supports manual / alarm recording				
Analog Video Output	1.0 V[p-p] / 75Ω, PAL (or NTSC), BNC				
API	Open-ended API, supports HIKVISION SDK, and third-party management platform				
Client	iVMS-4200				
Web Browser	IE 7+, Chrome 18+, Firefox 5.0+, Safari 5.02+; multiple languages				
General					
Menu	English				
Power	POE+ (802.3at), 24 VAC, 12 VDC / 3 A, 8 W (20 W with de-icing heater on)				
Working Temperature	-40° to 149° F (-40° to 65° C), 90% or less				
Humidity					
Protection Levels	IP66, TVS 6000 V lightning protection, surge protection, voltage transient protection				
Dimensions	12.36" x 4.09" x 11.52" (314 mm x 104 mm x 292.7 mm)				
Weight	4.41 lb (2 kg)				

Range Performance¹

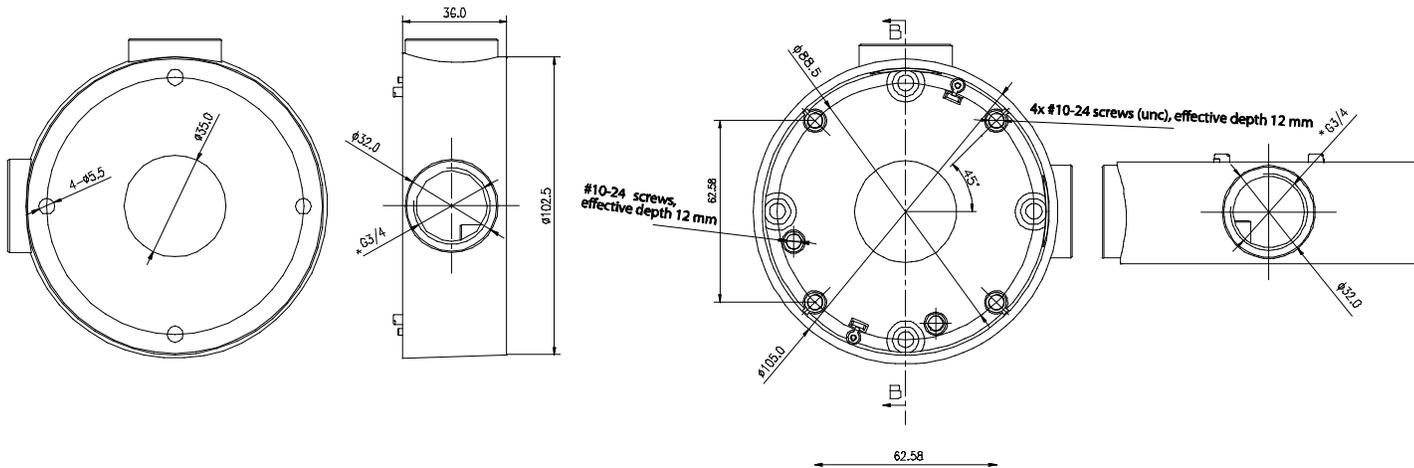
Standard Range Table	Model									
	DS-2TD2136-7		DS-2TD2136-10		DS-2TD2136-15		DS-2TD2136-25		DS-2TD2136-35	
Johnson Criteria	Human	Vehicle	Human	Vehicle	Human	Vehicle	Human	Vehicle	Human	Vehicle
Detection	675 ft (206 m)	2,070 ft (631 m)	965 ft (294 m)	2,959 ft (902 m)	1,447 ft (441 m)	4,439 ft (1,353 m)	2,411 ft (735 m)	7,398 ft (2,255 m)	3,376 ft (1,029 m)	10,358 ft (3,157 m)
Recognition	167 ft (51 m)	518 ft (158 m)	243 ft (74 m)	738 ft (225 m)	361 ft (110 m)	1,109 ft (338 m)	604 ft (184 m)	1,850 ft (564 m)	843 ft (257 m)	2,589 ft (789 m)
Identification	85 ft (26 m)	259 ft (79 m)	121 ft (37 m)	371 ft (113 m)	180 ft (55 m)	554 ft (169 m)	302 ft (92 m)	925 ft (282 m)	423 ft (129 m)	1,296 ft (395 m)

Smart Functions Range Table		Model				
Line Cross/Intrusion/Region Entrance-Exit	Object	DS-2TD2136-7	DS-2TD2136-10	DS-2TD2136-15	DS-2TD2136-25	DS-2TD2136-35
Optimized to Johnson Criteria (Recognition)	Human	164 ft (50 m)	243 ft (74 m)	361 ft (110 m)	604 ft (184 m)	843 ft (257 m)
	Vehicle	472 ft (144 m)	738 ft (225 m)	1,109 ft (338 m)	1,850 ft (564 m)	2,589 ft (789 m)
Temperature Exception	Size of Point	Max Range	Max Range	Max Range	Max Range	Max Range
	Accuracy at 5 x 5 pixels	2 m x 2 m	538 ft (164 m)	771 ft (235 m)	1,152 ft (351 m)	1,919 ft (585 m)
Advanced Fire Detection	Size of Point	Max Range	Max Range	Max Range	Max Range	Max Range
	Accuracy at 2 x 2 pixels	2 m x 2 m	1,351 ft (412 m)	1,929 ft (588 m)	2,894 ft (882 m)	4,823 ft (1,470 m)
	1 m x 1 m	676 ft (206 m)	968 ft (295 m)	1,447 ft (441 m)	2,411 ft (735 m)	3,376 ft (1,029 m)

¹Range performance values are calculated under ideal conditions and are not a guarantee of performance.



Camera



Conduit Base (included)