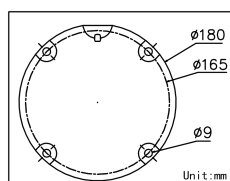
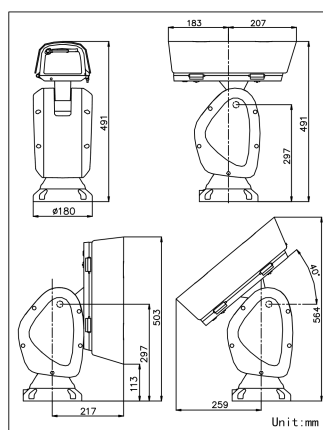


DS-2DY9185-A

2MP 23X Low illumination Network Positioning System



Dimension:



Functions

Video:

Datasheet & User Manual:

Specification

Model	DS-2DY9185-A
	2MP 23X Low illumination Network Positioning System
Camera	
Image Sensor	1/1.8" Progressive Scan CMOS
Min. Illumination	Color: 0.002Lux @ (F1.5, AGC ON) B/W: 0.0002Lux @ (F1.5, AGC ON)
Day & Night	ICR
Focus Mode	Auto / Semiautomatic / Manual
Shutter Time	50Hz: 1/1-1/30,000s; 60Hz: 1/1-1/30,000s
S / N Ratio	>52dB
Digital Zoom	16X
White Balance	Auto / Manual /ATW/Indoor/Outdoor/Daylight lamp/Sodium lamp
AGC	Auto / Manual
Lens	
Focal Length	5.9-135.7mm, 23x
Angle of View	59.8-3.0 degree (Wide-Tele)
Min. Working Distance	10-1500mm(Wide-Tele)
Aperture Range	F1.5-F3.4
Image	
Main Stream	50Hz:25fps(1920×1080), 25fps(1280×960), 25fps(1280×720) 60Hz:30fps(1920×1080), 30fps(1280×960), 30fps(1280×720)
Sub Stream	50Hz:25fps(704×576), 25fps(352×288), 25fps(176×144) 60Hz:30fps(704×480), 30fps(352×240), 30fps(176×120)
Third Stream	50Hz: 25fps(1920×1080), 25fps(1280×960), 25fps (1280×720), 25fps(704×576), 25fps (352×288), 25fps (176×144) 60Hz: 30fps(1920×1080), 30fps(1280×960), 30fps (1280×720), 30fps(704×480), 30fps (352×240), 30fps (176×120)
Image Compression	H.264(Baseline, Main, High Profile)/MJPEG/MPEG4
Audio Compression	G722.1/G.711ulaw/G.711alaw/MP2L2/G.726
SVC	Support
ROI	Support 24 areas with adjustable levels
Protocols	IPv4/IPv6,HTTP,HTTPS,802.1x,Qos,FTP,SMTP,UPnP,SNMP, DNS,DDNS,NTP,RTSP,RTP,TCP,UDP,IGMP,ICMP,DHCP,PPPoE
Standard	ONVIF, PSIA, CGI
Others	Defog, EIS, Privacy Mask, 3D DNR, BLC, WDR
Pan & Tilt	
Movement Range	Pan: 360° endless, Tilt: +40° ~ -90°
Movement Speed	Pan: 0.1°-100°/s, Tilt: 0.1°-40°/s
Number of Preset	256
Patol	8 patrols, up to 32 presets per patrol
Pattern	4 patterns, with the recording time not less than 10 minutes per pattern
Power-off Memory	Support
Park	Support
Proportional Zoom	Support
PTZ Position Display	On / Off
System Integration	
Menu	Chinese/English
3D Positioning	Support
Preset Freezing	Support
Scheduled Task	Support
Alarm I/O	7 alarm inputs, 2 alarm outputs, alarm linkage
Alarm Action	Preset / Patrol / Pattern / SD card recording/ Aux output/ E-map on Client
Audio I/O	1/1
Ethernet	10Base-T / 100Base-TX, RJ45 connector
CVBS Output	1.0V[p-p] / 75Ω, NTSC (or PAL) composite, BNC
RS485	Half duplex, HIKVISION, Pelco-P, Pelco-D, self-adaptive
Onboard Storage	Built-in Micro SD/SDXC card slot, up to 32GB edge recording
Number of Simultaneous Live View	Up to 10
User/Host Level	Up to 32 users,3 Levels: Administrator, Operator and User
General	
Power	AC24V, Max. 90W
Working Temperature / Humidity	-40 °C-70 °C(-40°F-158°F), 90% or less
Protection Level	IP66 standard TVS 6,000V lightning protection, surge protection and voltage transient protection
Dimensions(mm)	180×491×390
Weight (approx.)	15kg(33.07lb)

Parameters:

- Audio/Alarm I/O
- Wiper for self-cleaning