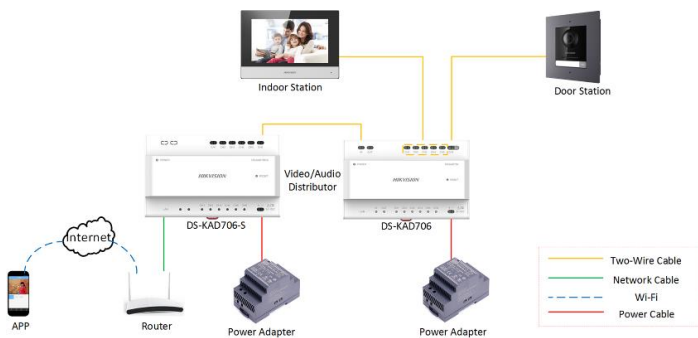




Key Feature

- Two-pin wire for power supply and network access
- Access control function
- Noise suppression and echo cancellation
- H.264 video compression
- Low illumination
- Tampering alarm
- Fisheye camera with IR supplement light
- Supports sub-modules' access (max. 8)
- Nametag customization

Typical Application



Specification

System parameters	
Operation system	Embedded Linux operation system
Flash	16 MB
RAM	256 MB
CPU	Embedded MCU Processor
Display parameters	
Size	/

Operation method	/
Type	/
Resolution	/
Video parameters	
Supplement light	IR supplement
Video compression standard	H.264
Lens	Low Illumination 2 MP HD IR Camera
FOV	Horizontal: 180° Vertical: 96°
WDR	Support
Pixel	Main stream : 1920 × 1080 Sub stream : 720 × 480
Audio parameters	
Audio compression standard	G.711 U
Audio input	Built-in omnidirectional microphone
Audio output	Built-in loudspeaker (More than 85 dB within 20 cm)
Audio compression bitrate	64 Kbps
Audio quality	Noise suppression and echo cancellation
Volume adjustment	Adjustable
Capacity	
Fingerprint capacity	/

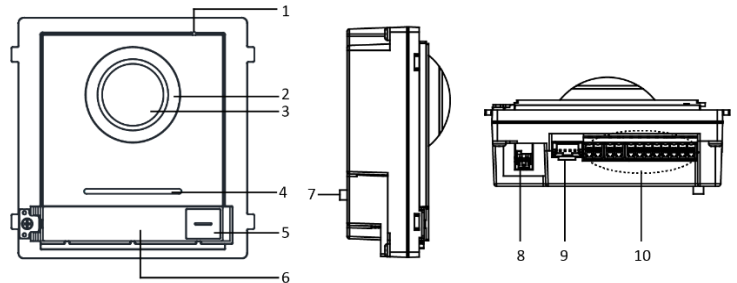
User capacity	/
Face capacity	/
Linked indoor station	100
Event capacity	/

Power consumption	≤ 10 W
-------------------	--------

Available Model

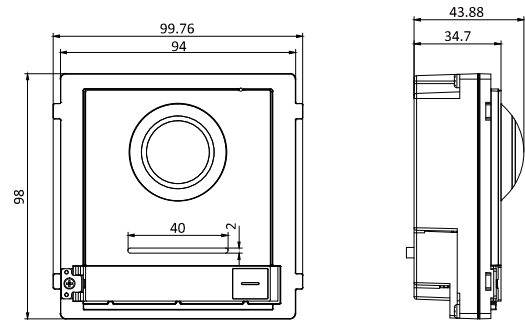
DS-KD8003-IME2/S

Appearance and Interfaces



No.	Description	No.	Description
1	Microphone	6	Nametag
2	Low Illumination IR Supplement Light	7	TAMPER
3	Built-in Camera	8	Network Interface and Power Supply
4	Loudspeaker	9	Module-connecting Interface (output)
5	Call Button	10	Terminals

Dimension



Network parameters	
Communication protocol	TCP/IP, RSTP
Wired network	Support
Wi-Fi	/
Bluetooth	/
3G/4G	/
Device interfaces	
Alarm input	4
TAMPER	1
Network interface	1
Exit button	2
RS-485	1
USB	/
Wiegand	/
TF card	/
Alarm output	2
Lock control	2
Door contact input	2
Power interface	1
General	
Button	/
Installation	Flush mounting, surface mounting
Indicator	/
Weight	Without package: 400 g With package: 610 g
Protective level	IP65
Working temperature	-40° C to +55° C (-40° F to 131° F)
Working humidity	10% to 95%
Dimensions	98 mm × 99.8 mm × 43.9 mm (3.86" × 3.93" × 1.73")
Battery	/
Power supply	24 VDC two-wire power supply (< 16 W) or 12 VDC independent power supply (< 20 W)
Application environment	Outdoor

Distributed by

**HIKVISION®****Headquarters**

No.555 Qianmo Road, Binjiang District,
Hangzhou 310051, China
T +86-571-8807-5998
overseasbusiness@hikvision.com

Hikvision USA

T +1-909-895-0400
sales.usa@hikvision.com

Hikvision Australia

T +61-2-8599-4233
salesau@hikvision.com

Hikvision India

T +91-22-28469900
sales@pramahikvision.com

Hikvision Canada

T +1-866-200-6690
sales.canada@hikvision.com

Hikvision Thailand

T +662-275-9949
sales.thailand@hikvision.com

Hikvision Europe

T +31-23-5542770
sales.eu@hikvision.com

Hikvision Italy

T +39-0438-6902
info.it@hikvision.com

Hikvision Brazil

T +55 11 3318-0050
Latam.support@hikvision.com

Hikvision Turkey

T +90 (216)521 7070- 7074
sales.tr@hikvision.com

Hikvision Malaysia

T +601-7652-2413
sales.my@hikvision.com

Hikvision UK & Ireland

T +01628-902140
sales.uk@hikvision.com

Hikvision South Africa

Tel: +27 (10) 0351172
sale.africa@hikvision.com

Hikvision France

T +33(0)1-85-330-450
info.fr@hikvision.com

Hikvision Kazakhstan

T +7-727-9730667
nikia.panfilov@hikvision.ru

Hikvision Vietnam

T +84-974270888
sales.vt@hikvision.com

Hikvision UAE

T +971-4-4432090
salesme@hikvision.com

Hikvision Singapore

T +65-6684-4718
sg@hikvision.com

Hikvision Spain

T +34-91-737-16-55
info.es@hikvision.com

Hikvision Tashkent

T +99-87-1238-9438
uzb@hikvision.ru

Hikvision Hong Kong

T +852-2151-1761
info.hk@hikvision.com

Hikvision Russia

T +7-495-669-67-99
saleru@hikvision.com

Hikvision Korea

T +82-(0)31-731-8817
sales.korea@hikvision.com

Hikvision Poland

T +48-22-460-01-50
info.pl@hikvision.com

Hikvision Indonesia

T +62-21-2933759
Sales.Indonesia@hikvision.com

Hikvision Colombia

sales.colombia@hikvision.com