

PNM-9084QZ

2M H.265 PTRZ Multi-directional Camera



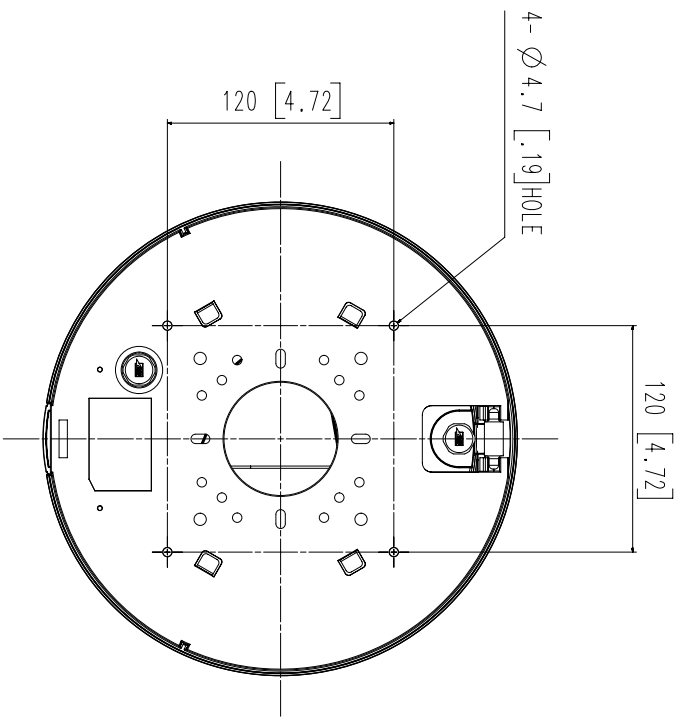
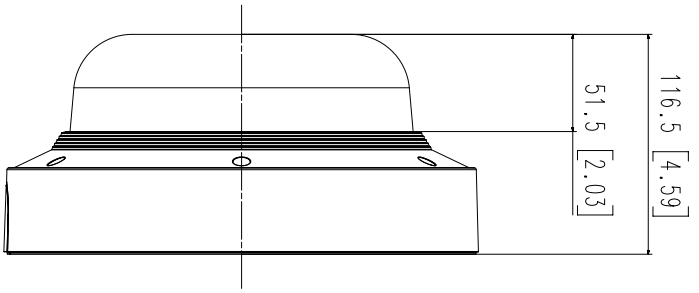
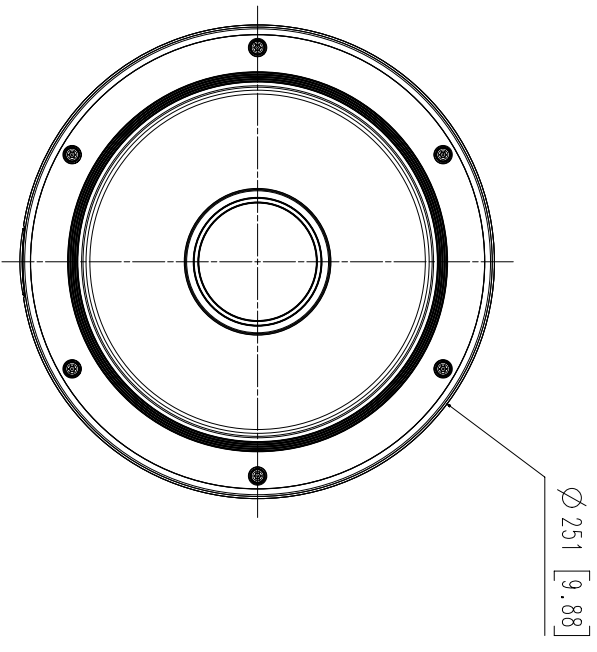
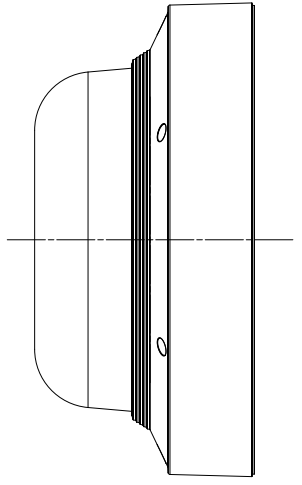
Key Features

- 2MP x 4ch Multi-directional camera
- PTRZ support
- Max. 60fps@2M(H.265, H.264), Max. 30fps@2M(MJPEG)
- 3.0~6.0mm(2x) motorized varifocal lens
- H.265, H.264, MJPEG codec, Multi streaming
- Video analytics, WiseStream II
- IP66, IK10, NEMA4X

Video	
Imaging Device	1/2.8" 2MP CMOS: each CH
Effective Pixels	1945(H)x1097(V): each CH
Min. Illumination	Color: 0.04lux(F2.2, 1/30sec) BW: 0.004lux(F2.2, 1/30sec)
Lens	
Focal Length (Zoom Ratio)	3~6mm(2x) motorized varifocal
Max. Aperture Ratio	F2.2(Wide)-F3.1(Tele)
Angular Field of View	H: 107°(Wide)~56.3°(Tele) / V: 57°(Wide)~31.5°(Tele) / D: 126°(Wide)~64.3°(Tele)
Min. Object Distance	0.5m(1.64ft)
Focus Control	Simple focus
Lens Type	DC auto iris
Pan / Tilt / Rotate	
Pan / Tilt / Rotate Range	Remote adjustment (Max. 200cycles) 0~360° / 0~73° / 0~90°
Operational	
Camera Title	Displayed up to 85 characters
Day & Night	Auto(ICR)
Backlight Compensation	BLC, HLC, WDR, SDR
Wide Dynamic Range	120dB
Digital Noise Reduction	SSNR V
Digital Image Stabilization	Support
Defog	Support
Motion Detection	8ea, 8point polygonal zones
Privacy Masking	32ea, polygonal zones - Color: Grey, Green, Red, Blue, Black, White - Mosaic
Gain Control	Low / Middle / High
White Balance	ATW / AWC / Manual / Indoor / Outdoor
LDC	Support
Electronic Shutter Speed	Minimum / Maximum / Anti flicker (2~1/12,000sec)
Video Rotation	Flip, Mirror, Hallway view(90°/270°)
Analytics	Defocus detection, Directional detection, Fog detection, Face detection, Motion detection, Appear/Disappear, Enter/Exit, Loitering, Tampering, Virtual line, Audio detection
Alarm I/O	Input 1ea / Output 1ea
Alarm Triggers	Analytics, Network disconnect, Alarm input
Alarm Events	File upload via FTP and e-mail Notification via e-mail SD/SDHC/SDXC at event triggers Alarm output Handover
Audio In	Selectable(mic in/line in) Supply voltage: 2.5VDC(4mA), Input impedance: 2K Ohm
Audio Out	Line out, Max.output level: 1Vrms

Network	
Ethernet	RJ-45(10/100/1000BASE-T)
Video Compression	H.265/H.264: Main/Baseline/High, MJPEG
Resolution	1920x1080, 1280x1024, 1280x960, 1280x720, 1024x768, 800x600, 800x448, 720x576, 720x480, 640x480, 640x360, 320x240
Max. Framerate	H.265/H.264: Max. 60fps/50fps(60Hz/50Hz) MJPEG: Max. 30fps/25fps(60Hz/50Hz)
Smart Codec	Manual(5ea area), WiseStream II
Bitrate Control	H.264/H.265: CBR or VBR MJPEG: VBR
Streaming	Unicast(10 users) / Multicast Multiple streaming(Up to 10 profiles)
Audio Compression	G.711 u-law /G.726 G.726(ADPCM) 8KHz, G.711 8KHz G.726: 16Kbps, 24Kbps, 32Kbps, 40Kbps AAC-LC: 48Kbps at 16KHz
Protocol	IPv4, IPv6, TCP/IP, UDP/IP, RTP(UDP), RTP(TCP), RTCP,RTSP, NTP, HTTP, HTTPS, SSL/TLS, DHCP, FTP, SMTP, ICMP, IGMP, SNMPv1/v2c/v3(MIB-2), ARP, DNS, DDNS, QoS, PIM-SM, UPnP, Bonjour, LLDP
Security	HTTPS(SSL) Login Authentication Digest Login Authentication IP Address Filtering User access log 802.1X Authentication(EAP-TLS, EAP-LEAP)
Edge Storage	Micro SD/SDHC/SDXC 4slot 256GB(Each CH)
Application Programming Interface	ONVIF Profile S/T SUNAPI(HTTP API) Wisenet open platform
Web Viewer	Supported OS: Windows 7, 8.1, 10, Mac OS X 10.13 Recommended Browser: Google Chrome Supported Browser: MS Explore11, MS Edge, Mozilla Firefox(Window 64bit only), Apple Safari(Mac OS X only)
Memory	5GB RAM, 1280MB Flash
Environmental	
Operating Temperature / Humidity	-40°C~+55°C(-40°F~+131°F) / Less than 90% RH *Start up should be above at -35°C
Storage Temperature / Humidity	-50°C~+60°C(-58°F~+140°F) / Less than 90% RH
Certification	IP66, IK10, NEMA4X
Electrical	
Input Voltage	HPoE
Power Consumption	Max. 33W, Typical 20W
Mechanical	
Color / Material	White / Aluminum
RAL Code	RAL9003
Product dimensions / weight	φ251x116.5mm / 3Kg

- The latest product information / specification can be found at hanwha-security.com
- Design and specifications are subject to change without notice.
- Wisenet is the proprietary brand of Hanwha Techwin, formerly known as Samsung Techwin.



Unit: mm [inch]	SCALE: 1/1	© Hanwha Techwin
No.	MODEL NAME	DATE
1	PWM-9084QZ	'19.09.28