

# NDA-8000-IC In-ceiling mount kit

www.boschsecurity.com



**BOSCH**  
Invented for life



- ▶ Easy installation
- ▶ Corrosion-resistant finish

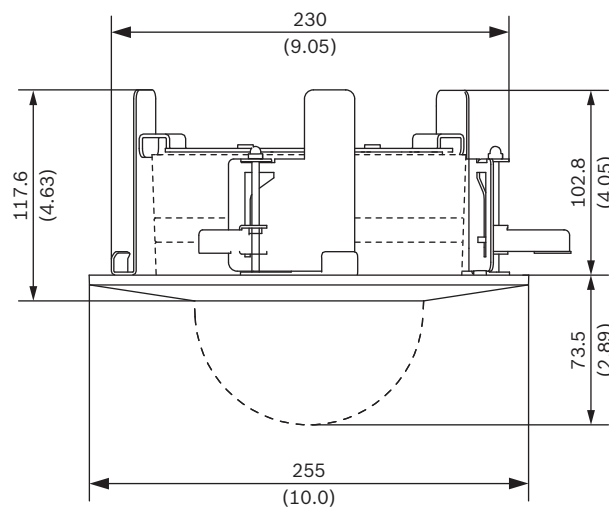
## Parts included

Quantity	Component
1	Mount kit
4	M6 x 12 mm T25 screw
1	Quick Installation Guide

## Technical specifications

### Mechanical

Dimensions	∅ 230 mm (9.05 in) ceiling hole cutting size Depth: 102.8 mm (4.05 in)
Weight	1250 g (2.76 lb)
Standard Color	White (RAL 9003) (Decoration plate)
Construction Material	Steel; Polycarbonate (Decoration plate)
Mounting	In ceiling



Dimensions in mm (inch)

## Ordering information

**NDA-8000-IC In-ceiling mount kit**  
In-ceiling mount kit for FLEXIDOME IP 8000i.  
Order number **NDA-8000-IC**