



H21-082-30-150  
H21-082-30-250

Outdoor Unmanaged PoE Switch

## Quick Installation Guide

### INTRODUCTION

The H21-082-30-150/250 is an 8 port 10/100BaseT PoE switch capable of feeding 15.4/30W (54V max. per port) power to Power over Ethernet (PoE) devices. It comes with another 2x GbE combo ports.

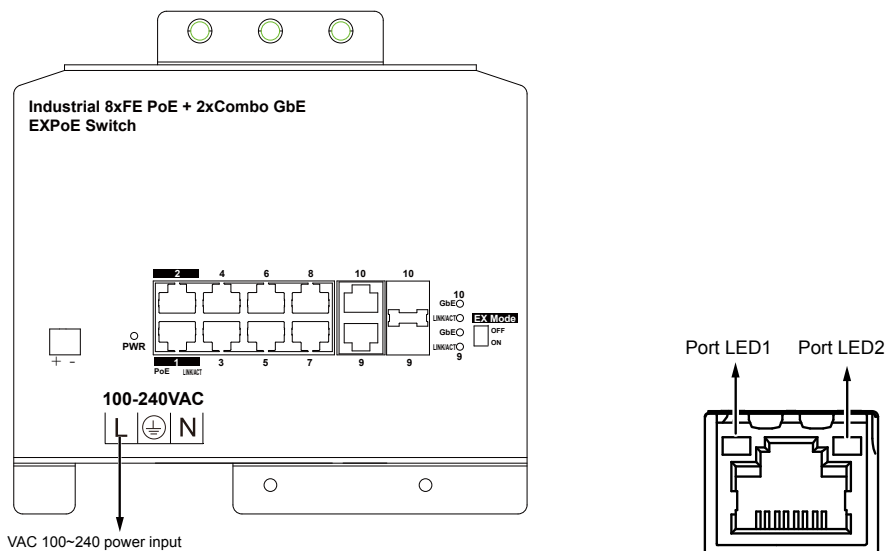
### PACKAGE CONTENTS

* 1x PoE switch	* 1x Quick Installation Guide
* 1x T25 L-wrench	

### ⚠ IMPORTANT:

1. Install the PoE switch in a ventilated and dry place that is free of electromagnetic source, vibration, moisture, and dust.
2. Make sure the ventilation openings on the switch are not blocked.
3. Use CAT5 or 5e UTP/STP cables.
4. AC input (100~240V/AC, 50~60Hz)

### CONNECTION



### EX MODE DIP SWITCH

EX ON	Ports 1 & 2 up to 250m PoE distance. When enabled, each port is isolated, but is linked to the uplink ports.
EX OFF	Normal communication for ports 1 ~ 5.

\* EX mode in 802.3af (15.4W): camera connection up to 250m@10Mbps via EXPoE ports.

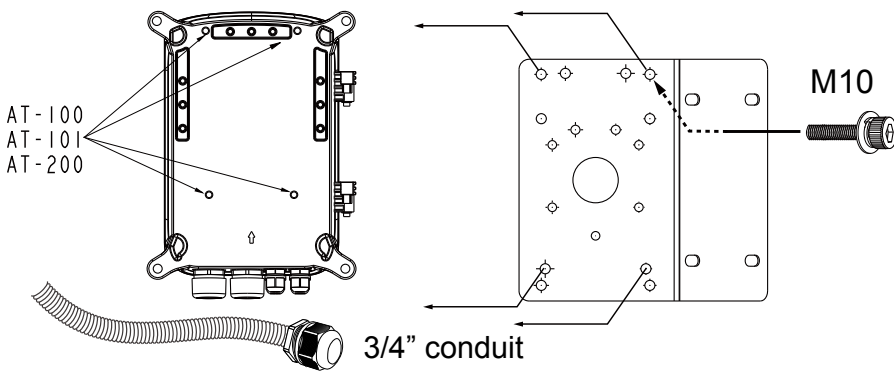
\* EX mode in 802.3at (30W): camera connection up to 200m@10Mbps via EXPoE ports.

### LED DEFINITIONS

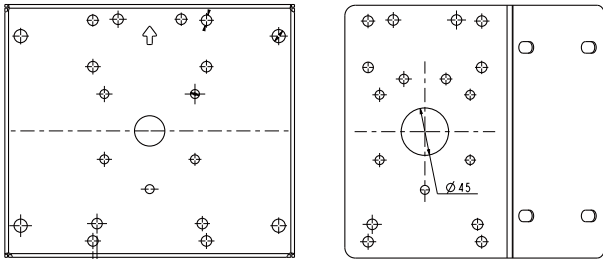
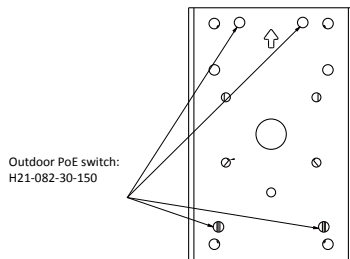
Power	Orange ON	Power is on and normal.
	Orange Off	Power is off.
Link/Act	Green ON	Ethernet port is connected.
	Green Off	No connection.
	Green blinking	Data is being transmitted or received.
GbE	Green ON	Link speed at 1000Mbps.
	Green Off	Link speed at 10/100Mbps.
PoE	Orange ON	Port is linked to a powered device.
	Orange Off	No device is connected.
	Orange blinking	Abnormal power supply is detected.

## INSTALLATION

Use the included M10 hex socket screws to secure the power box to a pole-mount or corner mount bracket.

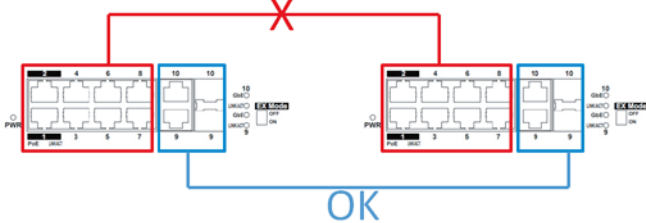


The mounting hole definition is illustrated below. The same mounting hole pattern apply to all pole-mount and corner-mount brackets.



### ⚠ IMPORTANT:

1. If the need should arise for connecting two outdoor switches, use the uplink ports #4 or #5. If you use PoE ports for cross-switch connections, the 12KV surge protection will not apply.



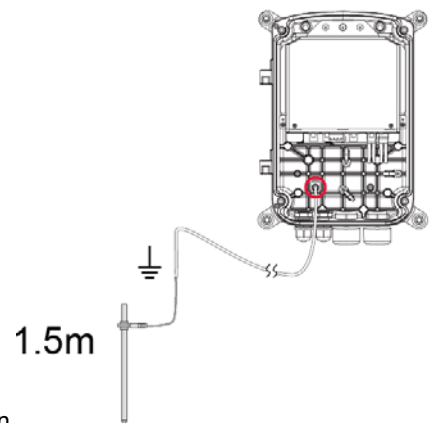
2. The cabinet must be grounded using a ground wire between the ground screw and earth ground.

#### \*Effect factors

1. Must connect of PoE PD
2. Poor cabling quality with insufficient copper
3. IP camera's networking design could not support 10Mbps@250m transmission

#### \*\*Suggestion

Checking the interoperability reaching 10Mbps @ 250m before physical deployment  
Adjust to "EX Mode OFF" reaching 10/100M bps @ 100m if "EX Mode ON" is fail.



All specifications are subject to change without notice.  
Copyright © 2017 AETEK INC. All rights reserved.