

TE11-110-RX



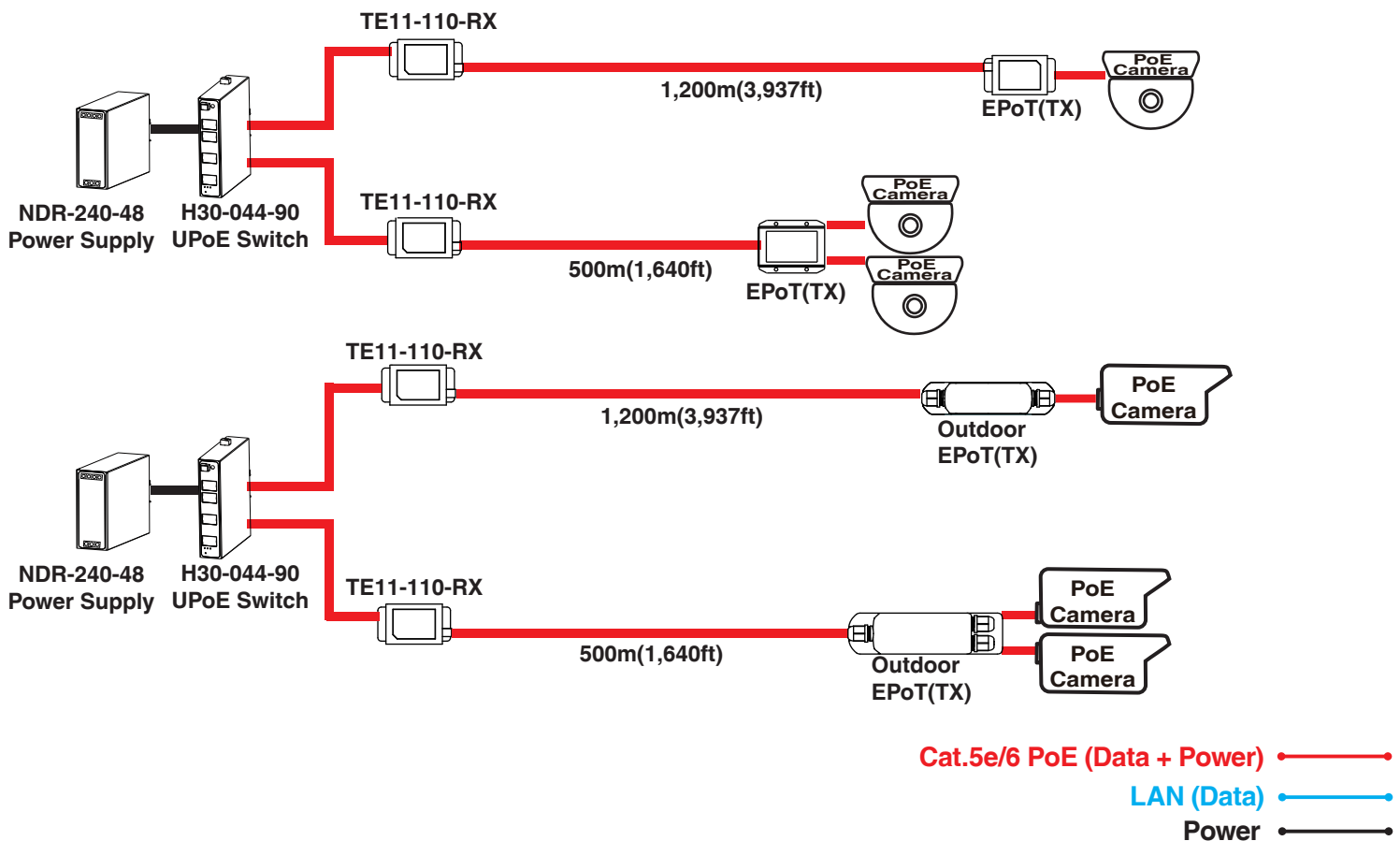
1-Port PoE PD EPoT RX Adapter

TE11-110-RX is an EPoT (Ethernet & Power over UTP/STP Cable) receiver(RX) equipped with 1 EPoT port & 1 PoE PD LAN port. This cutting-edge model allows all of the power for the link to be sourced from a PoE switch or PoE injector. UPoE PSE (>=60W) is recommended for a long range PoE solution providing data & power to EPoT TX adapter and PoE IP camera over single UTP/STP cable up to 1,200m (3,937ft).

Features

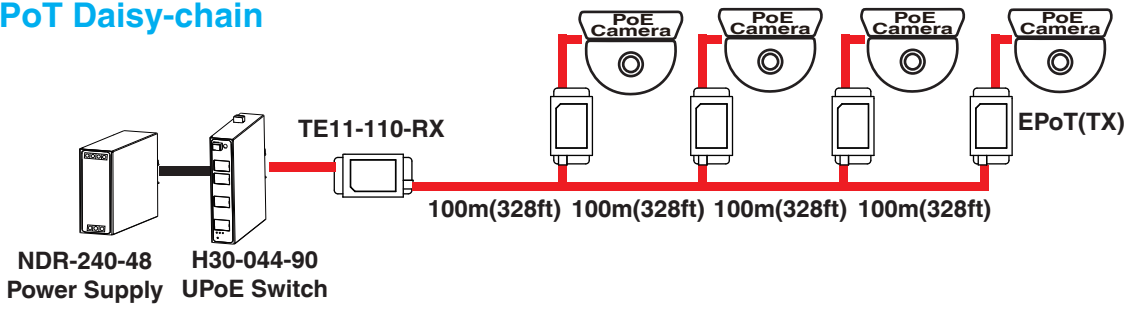
- One RJ45 EPoT port & one 10/100Mbps LAN PoE PD port
- Without requiring extra power adapter
- Extends PoE to Transmitter(TX) and PoE IP camera
- Long-range IP data & PoE over 4-pair/2-pair/1-pair UTP /STP cat.5e/6 cables
- Supports peer-to-peer, daisy-chain, and failover Ring topologies
- Eliminates the need for intermediate Ethernet switches & power supplies for long-range deployment
- Plug-and-Play connection
- Optional 19" 8-bay rack mount chassis(CH-110)

Applications

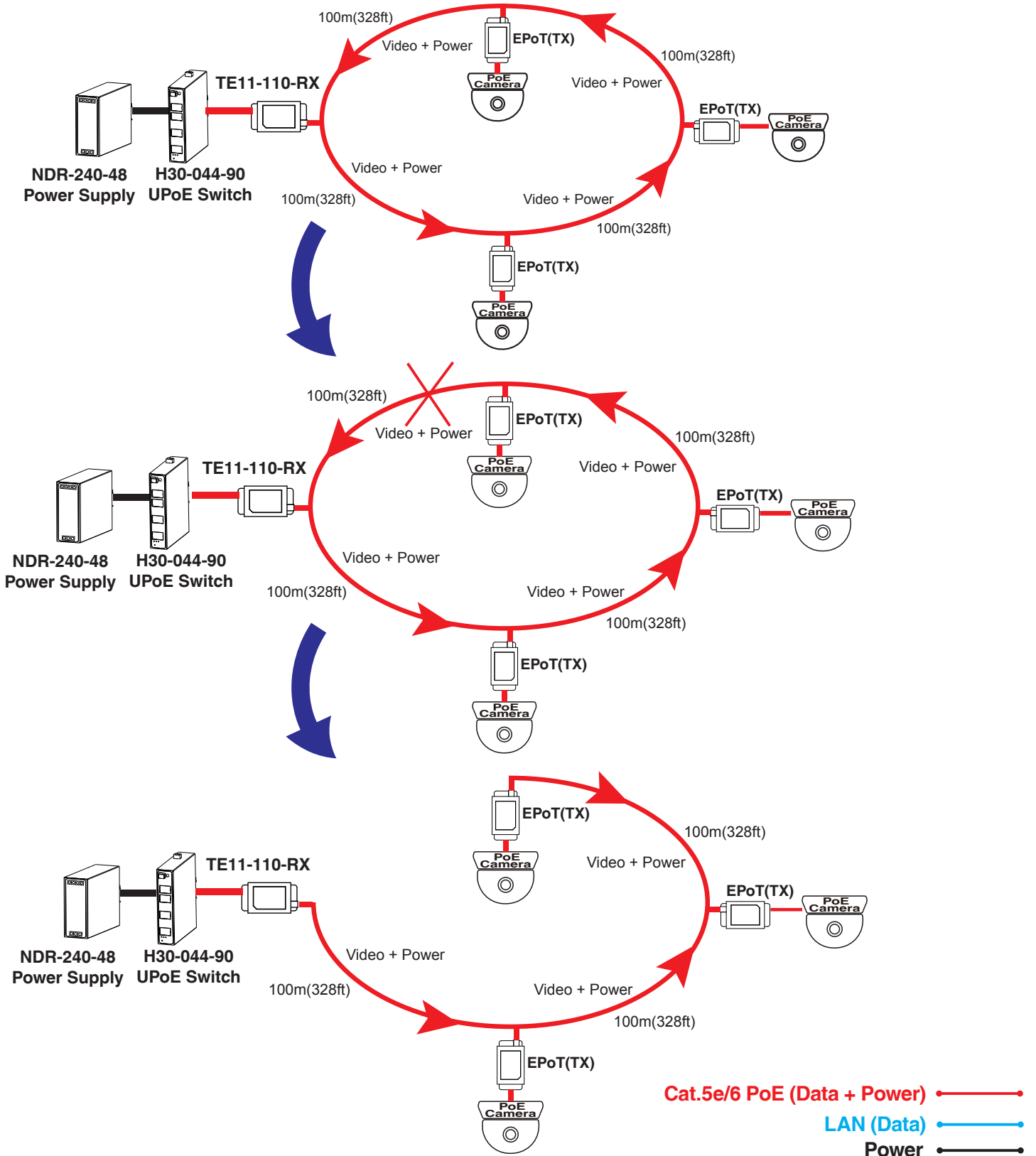


Applications

EPoT Daisy-chain



EPoT Power & Video Failover



Specifications

Interface / Distance

| | |
|---------------------------|--------------------------------|
| EPoT Port | RJ45 x1 |
| 10/100 Mbps Ethernet | PoE PD RJ45 x1 |
| Transmission mode | Receiver RX mode |
| Maximum TX quantity | 7 |
| MAX.(Power+Data) Distance | 100Mbps, 9.7W@ 1,200m(3,937ft) |
| Cable Type | UTP/STP cat.5e/6 Cable |
| Bandwidth | 600 Mbps |

Power Specifications

| | |
|------------------------|---|
| Power supply | Optional : I36-100 : 60W UPoE Injector H30-044-90 : 60W/95W UPoE Switch |
| PoE Input | Support 30W/60W/95W PoE |
| PoE Pass Through | Support |
| Unit Power Consumption | 3 watts |
| EPoT Surge Protection | 6KV |

Physical Specifications

| | |
|--------------------|--------------------------------------|
| Dimensions (LxWxH) | 102.9x48.9x23.35mm (4.05x1.93x0.92") |
| Weight | 0.2 kg (0.44 lb) |
| Connectors | EPoT RJ45 x1, POEPD LAN RJ45 x1 |
| Mounting Type | Wall mount |

Environmental Specifications

| | |
|-----------------------|------------------------------|
| Operating Temperature | -20°C ~ 60°C (-28°F ~ 140°F) |
| Storage Temperature | -20°C ~ 85°C (-28°F ~ 185°F) |
| Relative Humidity | 5% ~ 95% non-condensing |

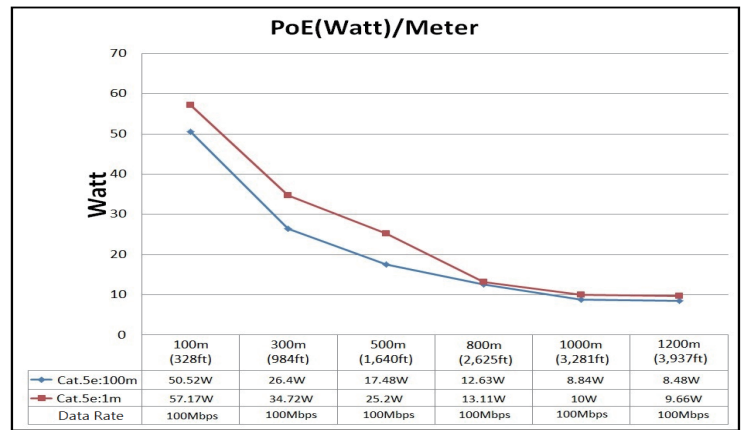
Certifications

| | |
|--------|-----------------------|
| EMC | CE, FCC, VCCI, C-Tick |
| Safety | EN60950-1 |

LEDs

| | |
|------|-------------------------------|
| LAN | Ethernet status |
| PWR | Power status |
| LINK | EPoT TX device connect status |
| POE | PoE status |

Power / Distance Chart



Related Products

EPoT (TX)



TE10-110-TX
• 1-to-1 EPoT adapter(TX)



TE12-120-TX
• 1-to-2 EPoT adapter(TX)



TE22-110-TX
• 1-to-1, Outdoor EPoT adapter(TX)with IP67 / IK10 protection



TE22-120-TX
• 1-to-2, Outdoor EPoT adapter(TX) with IP67 / IK10 protection

EPoT Camera Housing (TX)



A5000-T
• EPoT Camera Housing

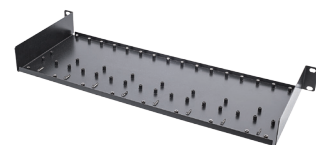


A5100-T
• EPoT Camera Housing
• Germanium window



A5020-T
• EPoT Camera Housing with IR illuminator (MAX: 50m)

Accessories



CH-110
• 19", 1U 8-bay rack mount chassis