



Aperio<sup>®</sup> Technology

**ASSA ABLOY**  
Opening Solutions

Experience a safer  
and more open world



# Contents

## Aperio® Technology

Aperio System Overview	5
C100 Knob Cylinder	6
E100 Series Escutcheon	8
G100 Digital Glass Door Lock	10
H100 Handle	12
K100 Series Cabinet Lock	14
KS100 Series Server Cabinet Lock	16
P100 Padlock	18
R100 Surface Mount Reader	20
Communication Hub and EAC Interface	22
Software & USB Dongle	23



Aperio<sup>®</sup> Technology



## Aperio® Overview

Aperio is a new technology developed to complement new and existing electronic access control systems; providing end users with a simple, intelligent way to upgrade the controllability and the security level of their premises.

The heart of Aperio is a short distance wireless communication protocol; designed to link an online electronic access control.

## Application

An access control system is standard equipment for companies and public administrations and provides buildings with a very high standard of security. However, installing access control doors is very expensive due to the extensive wiring required. This is why access control systems often only cover doors with very high security requirements.

All other doors have mechanical locks and therefore cannot be monitored and managed. If a master key is lost, there can be a major security risk – not a satisfactory set of circumstances for security officers.

This is where Aperio technology comes in. Doors merely need to be equipped with wireless Aperio battery-powered cylinders, escutcheons or locks with integrated RFID readers and linked to the access control system online via a communications hub.

ASSA ABLOY's Aperio technology allows security and facility managers to conveniently and cost effectively increase the number of doors that can be monitored. Aperio's HID genuine certified technology supports a range of credentials including iCLASS, MIFARE, DESFire, SEOS, Legic and 125 kHz Proximity (HID PROX/ EM410).

## Key Features

### Affordable online door control of internal doors

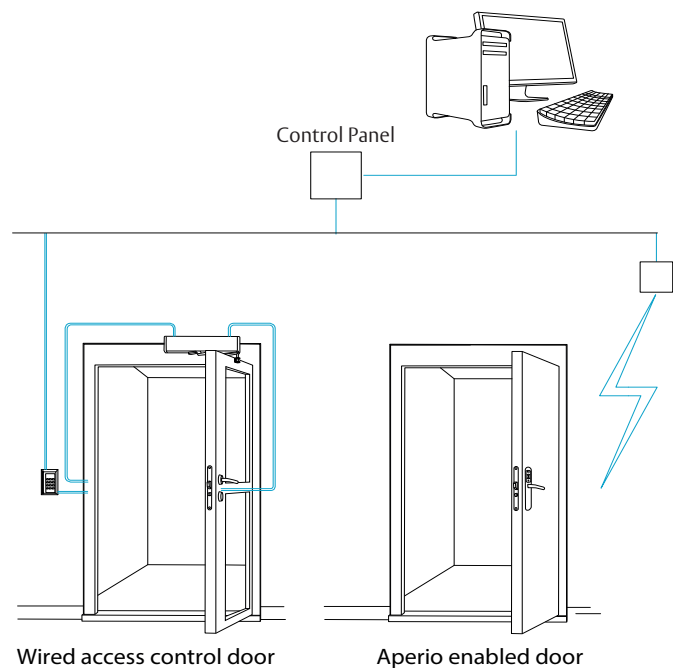
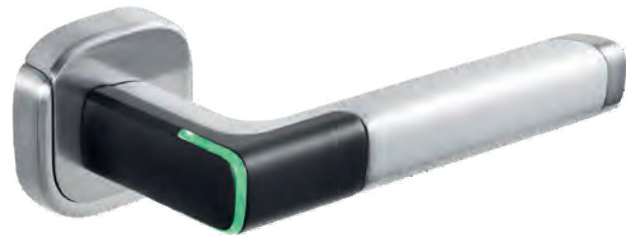
- Few components
- Very easy installation
- No changes to existing access control installations

### Extends existing access control system

- Connects over standard interface
- No separate management software:
  - Uses existing access control system management software
- No change of cards

### Enhances security for internal doors

- Eliminates key management issues
- Authorisation changes in real time
- Encrypted communication
- Audit trails and time zones through existing system



# C100 Knob Cylinder

Designed to fit the standard Lockwood oval 570 series cylinder, the C100 provides a unique & cost effective migration to an online electronic access control door.

The external housing contains a sophisticated battery powered proximity reader that communicates wirelessly to a hub. The hub is then wired directly to the access control system and enables standard online access control features at significantly reduced costs than that of a hard wired door.

## Key Features

- Communication from hub via RS485 bus to the Online Access Control System (addressable) - access decision in the EAC system
- Main electronics (RFID + radio) in the outside knob - secure electronics inside cylinder core
- Freely rotating lock cam
- Override Credentials: Up to 10 override credentials can be stored for an emergency access in case of failure or no communication with the access control or the hub
- Smart Credential Handling: In addition to the override credentials, the last valid credentials (up to 1000) can be cached automatically and for a limited time (up to 30 days), so that an opening can still be made without the intervention of the administrator
- LED for status visualisation (red/green/orange)
- Works with an online system or as an offline lock
- Supports the following RFID technologies: MIFARE Classic®, MIFARE Ultralight®, MIFARE® DESFire®, MIFARE Plus®, MIFARE® SE, MIFARE® DESFire® SE; iCLASS SE; iCLASS Seos®, iCLASS Seos Elite



MIFARE™  
CLASSIC / PLUS

MIFARE™  
CLASSIC / DESFire®

## Scope of delivery

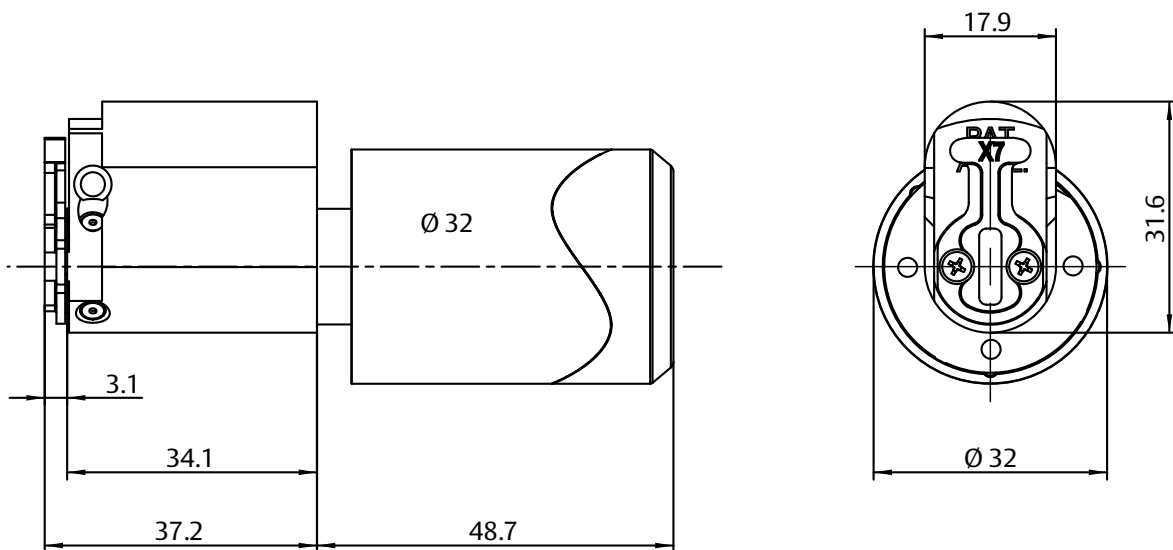
- 1 single knob cylinder with battery (Lithium CR2) and installation instructions
- Screws and fixing material
- Battery change tool
- X7 Cam fitted, A Cam supplied

### C100 Technical Information

<b>Battery type</b>	1 x Lithium CR2
<b>Battery lifetime</b>	<30,000 cycles (max 2 years)
<b>Radio standard</b>	IEEE 802.15.4 (2.4GHz)
<b>Encryption</b>	AES 128 Bit
<b>Wireless range: Cylinder to Hub</b>	5-25m depending on location of hub & environment
<b>RFID technology**</b>	MIFARE Classic®, MIFARE Ultralight®, MIFARE® DESFire®, MIFARE Plus®, MIFARE® SE, MIFARE® DESFire® SE; iCLASS SE; iCLASS Seos®, iCLASS Seos Elite
<b>RFID reading</b>	UID / Sector / Block / Application / File
<b>Card reading range</b>	< 4cm
<b>Operating temperature</b>	-20° to +55°C
<b>IP-degree</b>	IP 65
<b>Knob colour</b>	Black / Satin Chrome
<b>Cylinder colour</b>	Satin Chrome
<b>Cylinder format</b>	Lockwood Australian oval 570 series
<b>Door thickness</b>	Suits standard doors up to 50mm
<b>Approvals</b>	CE and RCM
<b>Status</b>	LED (red/green/orange)

### Ordering Information

Product Description	Part Number
Aperio C100 Cylinder SC V3	C103HFASS



# E100 Series Escutcheon

The E100 series escutcheon is designed to fit Lockwood mechanical 3570 or 3770 series mortice locks and provide a cost effective migration to an online electronic access control door. In addition to card access the external side of the door provides for key override entry, whilst the inside lever is designed for emergency egress.

The external plate incorporates a sophisticated battery powered proximity reader that communicates wirelessly to a hub. The Hub is then wired directly to the access control system and enables standard online access control functionality at significantly reduced costs to that of a hard wired door.

## Key Features

- Wireless online access control
- Authorisation changes in real time
- Audit trails and time zones managed through existing system
- Compatible with Lockwood 3570 or 3770 series mechanical mortice locks
- Additional key override
- Emergency egress
- Lock can store up to 10 override credentials/prox cards
- Store last 200 events and audit trails locally in the lock
- Battery powered – up to 40,000 operations
- LED status
- Battery low warning sent to EAC system

## Applications

- Internal doors only
- Retrofit mechanical mortice locks
- Expand existing access control installations
- New access control installations
- Doors that can't be hard wired
- Heritage listed buildings

## Function

- External lever is always locked
  - To unlock, badge card and activate lever
- Door automatically re-locks after set time
- Can also be opened via key override
- Internal lever is set to escape free egress at all times





### E100 Technical Information

<b>Battery type</b>	1 x Lithium CR123A
<b>Battery life time</b>	>40,000 cycles
<b>Radio standard</b>	IEEE 802.15.4 (2.4GHz)
<b>Encryption</b>	AES128 Bit
<b>Wireless range</b>	5-25m depending on location of hub & environment
<b>RFID technology**</b>	Mifare Classic / Desfire, Mifare Classic / Plus iCLASS and Prox 125 Khz
<b>RFID reading</b>	UID / sector / block
<b>Card read range</b>	< 4cm
<b>Operating temperature</b>	0°C – 60°C
<b>Humidity</b>	< 85% non condensating
<b>IP-degree</b>	IP30 (or IP56 Select Modules)
<b>Approvals</b>	CE
<b>Colour</b>	Brushed stainless steel
<b>Override cylinder</b>	Lockwood Australian oval 570 series
<b>Door thickness</b>	35mm to 85mm requires spindle to suit
<b>Spindles</b>	7.6mm
<b>Backset</b>	60mm

\*\* Model dependent

### Ordering Information

Product description	Part number
E100 V3 35-45 Door, HF	E103MU1SS1
E100 V3 46-55 Door, HF	E103MU1SS2
E100 V3 35-45 Door, HF	E103MU1SS1 3772
E100 V3 46-55 Door, HF	E103MU1SS2 3772
E100 V3 35-45 Door , HF, IP56	E103MUXSS1
E100 V3 46-55 Door, HF, IP56	E103MUXSS2
E100 V3 Keypad, HF	E103MUKSS2
E100 Suitable For Narrow Backset Locksets , HF	E103-NARROW

### Accessories

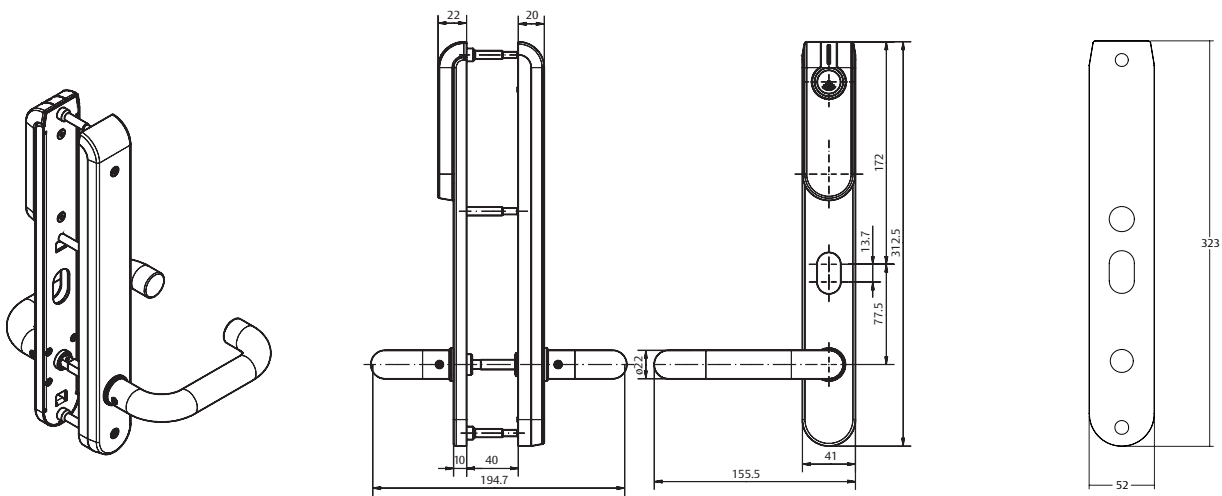
Product description	Part number
E100 Cover Plate – Pair	E100-PL2SSS
3772 Series Mortice Lock to suit E100 Series	3772NOHDSS
3572 Series Mortice Lock To suit E100 Series	3572SCNOHD

### Spare Parts

Product description	Part number
Aperio Spindle Kit 35-45mm	E-SP35/45
Aperio Spindle Kit 45-55mm	E-SP45/55

**Notes:**

- To change the spindle; special tools may be required



E100 cover plate

# G100 Digital Glass Door Lock

The Adams Rite G100 wireless digital lock makes extending access control to all-glass doors easy and affordable while maintaining aesthetics. This surface-mounted digital glass door locking solution provides greater flexibility and control for interior office space areas without the need to make costly modifications.

## Operation

The surface-mounted lock features two options for credential actuation on the secure side of the door: either by entering a user code using the touch-screen or by using a compatible high frequency credential which provides added security of dual factor authentication and fully encrypted wireless communication to the host access control system. The lock features two modes of unlock from the inside of the door: either with the accessibility lever or by using the override button.

## Key Features

- Wireless Aperio® technology
- Easy surface-mounted bracket installation for single or double door applications
- No cutting or drilling required
- Real-time door status monitoring with REX, DPS, and low battery signals
- Available with lever option standard to meet accessibility requirements
- Supports single (card only) or dual-factor (card + keypad) authentication

## Specifications

Wireless Access Control: minimal field configuration for quick and easy wireless deployments that eliminate the cost and inconvenience of hardwiring the door. Fully-encrypted AES 128 bit wireless communication between the G100 lock and Aperio hub ensures data security. The Aperio wireless hub connects to an access control system with typical Wiegand wiring and additional REX and low battery signaling. The Aperio hub should be mounted within 25-30mm of the desired lock location and through two walls or less.

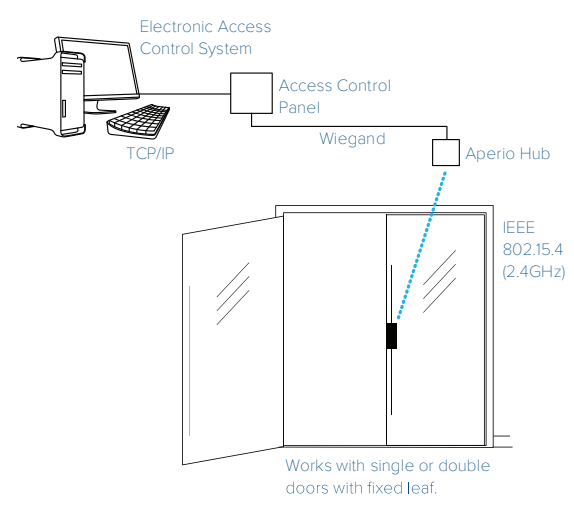
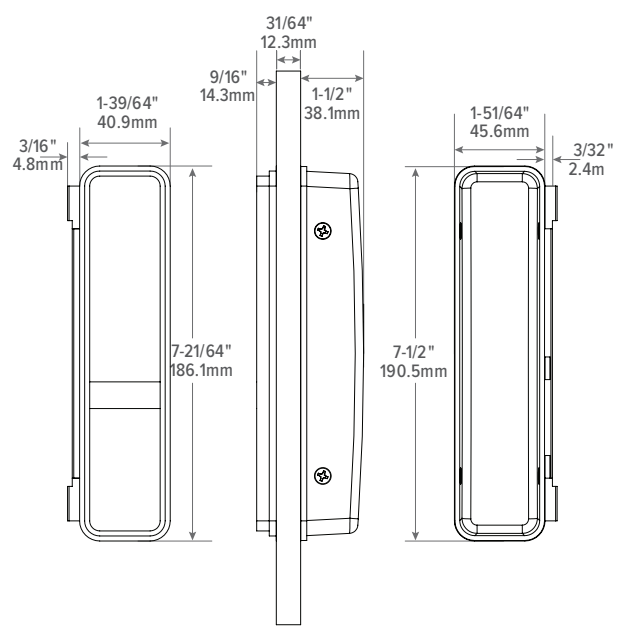
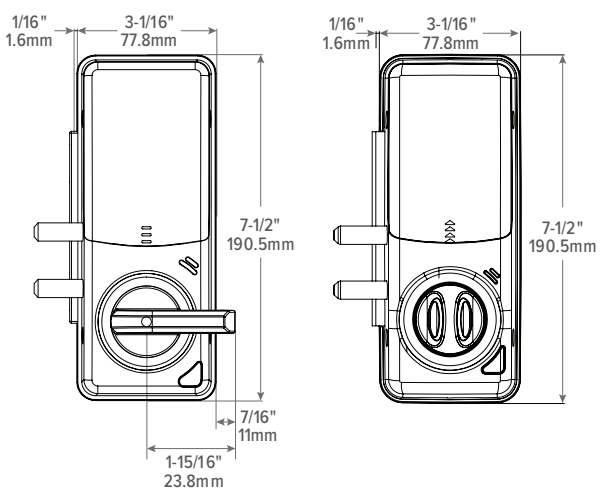
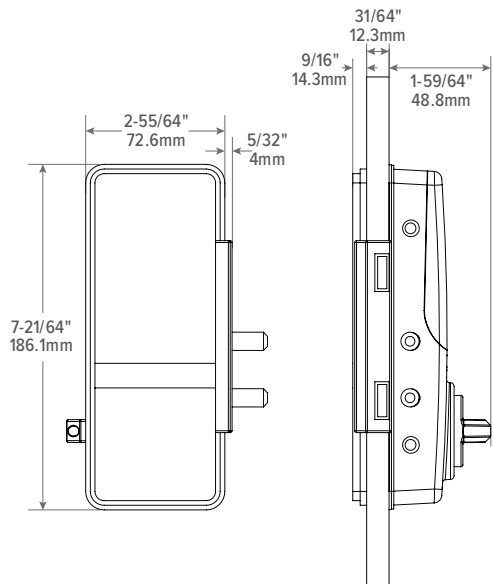


### P100 Technical Information

<b>Strike:</b>	Surface-mounted strike for fixed leaf of double glass doors included
<b>Backset</b>	60mm
<b>Door thickness</b>	9mm to 12.7mm thick glass doors
<b>Front body</b>	14.3mm x 73.0mm x 185.7mm
<b>Back body</b>	49.2mm x 77.8mm x 190.5mm
<b>Bolt</b>	Twin bolts measuring 10.3mm diameter with 28.6mm throw

### Ordering Information

Product description	Part number
Aperio Glass Door Lock with Accessibility Lever	G100LA



Works with single or double doors with fixed leaf.

# H100 Handle

The new Aperio® H100 packs the power and flexibility of wireless access control into one slim, cleverly designed, battery-powered door handle. With easy retrofitting to almost any interior door and comprehensive RFID support, the new Aperio® H100 handle makes it cost-effective to boost security for sensitive offices, storerooms, archives, meeting rooms and more.

## Key Features

- The easiest way to add access control to a mechanical lock without drilling
- Robust, wireless device designed for high-traffic environments
- Compatible with modified Lockwood mortice lock (8mm)
- Suitable for doors where LW 3572 or 3772 mortice locks will suit.
- Keep your existing mechanical cylinder
- Straightforward integration with third-party access control systems
- Works with an online system
- Discrete handle with minimum footprint and contemporary design
- LED for instant status visualisation
- Takes one screw to replace handle batteries (CR123A)
- Supports the following RFID technologies: MIFARE Classic®, MIFARE Ultralight®, MIFARE® DESFire®, MIFARE Plus®, MIFARE® SE, MIFARE® DESFire® SE; iCLASS SE; iCLASS Seos®, iCLASS Seos Elite



MIFARE™  
CLASSIC / PLUS

MIFARE™  
CLASSIC / DESFire®

### H100 Technical Information

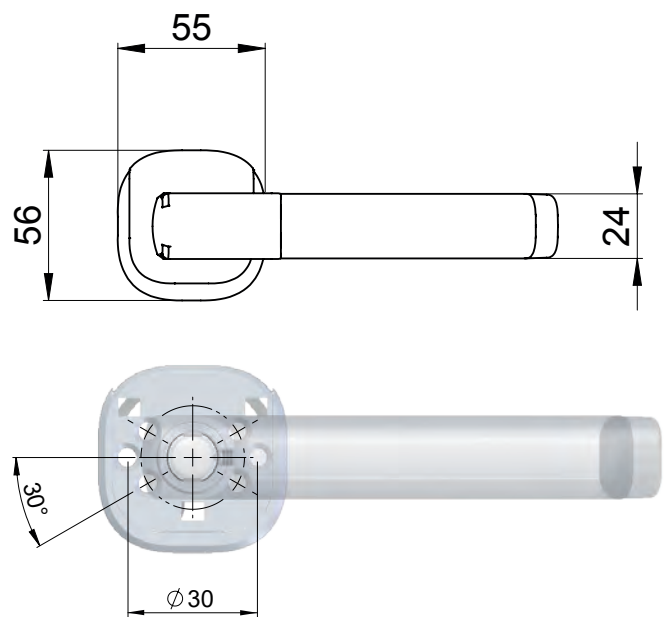
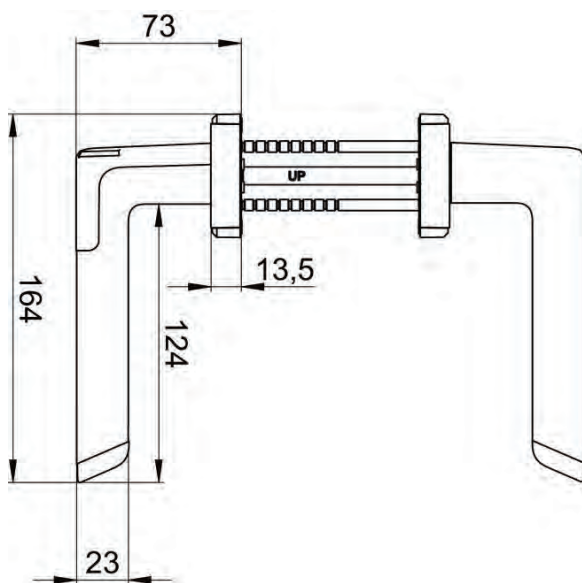
<b>Battery type</b>	1 x Lithium CR123A
<b>Battery lifetime</b>	>40,000 cycles High Frequency Multiclass: 30 openings per day for 50 months
<b>Radio standard</b>	IEEE 802.15.4 (2.4 GHz)
<b>Encryption (radio communication)</b>	AES 128 bits
<b>Distance between the RFID Reader and hub</b>	Up to 25m depending on the building environment
<b>RFID technologies (Based on reader type)</b>	High Frequency Multiclass : iCLASS®/ISO 14443B; iCLASS® Seos; MIFARE™ Classic; MIFARE™ Plus; MIFARE™ DESFire™ EV1
<b>RFID reading</b>	UID / Sector / Block / Application / File
<b>RFID reading range</b>	< 4cm
<b>Operating temperature</b>	0°C to 55°C
<b>Relative humidity</b>	< 85% (condensation-free)
<b>IP-degree</b>	IP 42
<b>Authentication</b>	One level of authentication - CARD only
<b>Status</b>	LED (red/green/orange)
<b>Communication interfaces</b>	Communication via radio (USB dongle) or USB type B adapter (accessory)
<b>Offline and Online operation modes</b>	Aperio® Online; Aperio® Offline; Aperio® Standard OSS Offline
<b>Approvals</b>	CE, EN1906: 26-B010B RCM

### Ordering Information

Product description	Part number
Aperio H100 Handle, Right, 8mm Spindle	H100AU8R-SC
Aperio H100 Handle, Right, 8mm Spindle with Mortice Lock	H100AU8R-SC-B
Aperio H100 Handle, Left, 8mm Spindle	H100AU8L-SC
Aperio H100 Handle, Left, 8mm Spindle with Mortice Lock	H100AU8L-SC-B

### Accessories

Product description	Part number
U-Handle or RTD Adapter Set of 2 Items (Battery Holder End-Cap & Dummy End-Cap)	AH100-001
Aperio USB Firmware Adapter for use in battery compartment	AH100-010
H100 Distance Ring for inner doors thinner than 35mm	AH100-020



# K100 Series Cabinet Lock

The HES K100 cabinet lock comes standard with locked state & tamper monitoring, optional mechanical key override and over 68kg of holding force.

The HES K100 supports HID multiCLASS SE® contactless credentials. It uses local wireless communication between the lock and an Aperio hub to bring access control to cabinet doors and drawers where audit trail and real-time monitoring are required.

## The flexible integrated solution for extending access control to secure lockers, drawers and doors.

### Standard Features

- For use with swinging and sliding cabinet doors and drawers with a door thickness of up to 57mm
- 2.4 GHz Aperio wireless technology
- Supports HID multiCLASS SE® card technologies
- Integrates with existing access control systems and ID badges
- Audit trail limited by EAC system
- LEDs indicate valid/invalid entries; Red/Amber or Green/Amber
- Integrated locked state and tamper monitoring
- Automatic relock when door is closed and secure
- Non-handed
- Black finish
- Three optional shaft lengths to accommodate up to 57mm door thickness

### Certifications

- FCC Part 15 & Industry Canada Compliant
- CE RED – Radio Equipment Directive – 2014/53/EU
- RoHS Compliant

### Electrical

- Estimated Battery Life: 50,000 Cycles
- 2 x “AA” lithium batteries (included)
  - AA Lithium Batteries required. Use of other types of batteries, such as alkaline, will significantly decrease battery life
  - Battery voltage monitoring
- microUSB port for emergency power

### Holding Force

- Static strength 160kg

### Environmental

- Operating Temperature: 0 to 50 C
- Tested to meet IP54

### Card Technology HID® multiCLASS SE®

- High Frequency (13.56 MHz)
  - HID iCLASS®
  - HID iCLASS SE (SIO-enabled)
  - HID iCLASS® Seos™
  - HID MIFARE® SE
  - HID DESFire® EV1 SE
  - MIFARE CLASSIC
  - DESFire® EV1
- Low Frequency (125 kHz)
  - HID Prox®
  - AWID
  - EM4102
  - ioProx
- NFC-enabled Mobile Phones

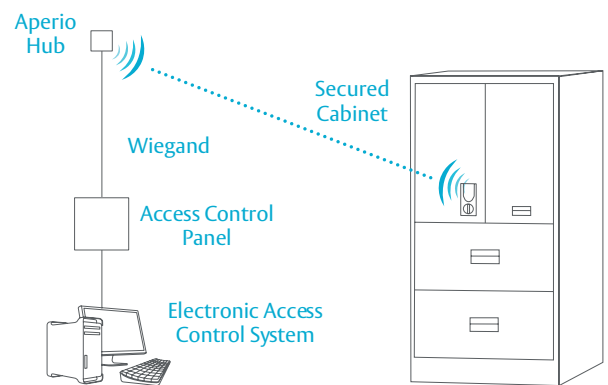
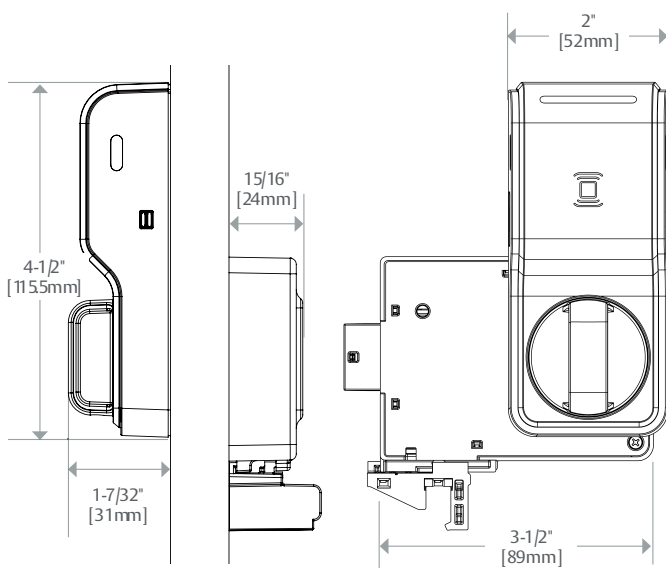


### K100 Technical Information

<b>Battery type</b>	2 x AA Lithium
<b>Battery lifetime</b>	50,000 operations
<b>Radio standard</b>	IEEE 802.15.4 (2.4Ghz)
<b>Encryption</b>	AES128 Bit
<b>Wireless range</b>	5-25m depending on location of hub & environment
<b>RFID technology</b>	iClass, Mifare, Desfire and 125 Khz Prox (prox separate model)
<b>Card read range</b>	< 3cm
<b>Operating temperature</b>	0-50°
<b>Approvals</b>	CE Ctick & ANSI A156.11-2003 Grade 1
<b>Finishes</b>	Black or White
<b>Cabinet thickness</b>	13-38mm

### Ordering Information

Product description	Part number
K100 V3, Black Finish, SNIB Type	K103-SNIB
K100 V3, Black Finish, Lever Type	K103-LEVER



# KS100 Series Server Cabinet Lock

Designed to install easily on most swing handle server cabinet doors, the HES KS100 comes standard with locked state monitoring and utilises an SFIC (Small Format Interchangeable Core) mechanical key override. An optional extended DPS monitoring sensor can be connected to ensure that the cabinet is closed, locked and secure. The HES KS100 supports HID multiCLASS SE® contactless credentials and uses local wireless communication between the lock and an Aperio hub to provide real-time monitoring and managed access to server cabinet doors, that protect against malicious attacks or tampering.

**Designed to integrate seamlessly with existing access control systems and protect critical assets from intrusion and expensive downtime.**

## Standard Features

- For use with cam-activated swing handle server cabinet applications with a 150 x 25mm lock prep
- 2.4 GHz Aperio wireless technology
- Supports HID multiCLASS SE® card technologies
- Integrates with existing access control systems and ID badges
- Audit trail limited by EAC system
- LEDs indicate valid/invalid entries; Red/Amber or Green/Amber
- Integrated locked state (handle), cam rotation and tamper monitoring
- Automatic relock
- Non-handed
- Black finish

## Certifications

- FCC Part 15 & Industry Canada Compliant
- CE RED – Radio Equipment Directive – 2014/53/EU
- RoHS Compliant

## Electrical

- Estimated Battery Life: 50,000 Cycles
- 2 x “AA” lithium batteries (included)
  - AA Lithium Batteries required. Use of other types of batteries, such as alkaline, will significantly decrease battery life
  - Battery voltage monitoring
- microUSB port for emergency power

## Holding Force

- Static strength 160kg

## Environmental

- Operating Temperature: 32 to 122 F (0 to 50 C)
- Tested to meet IP54

## Card Technology HID® multiCLASS SE®

- High Frequency (13.56 MHz)
  - HID iCLASS®
  - HID iCLASS SE (SIO-enabled)
  - HID iCLASS® Seos™
  - HID MIFARE® SE
  - HID DESFire® EV1 SE
  - MIFARE CLASSIC
  - DESFire® EV1
- Low Frequency (125 kHz)
  - HID Prox®
  - AWID
  - EM4102
  - ioProx
- NFC-enabled Mobile Phones



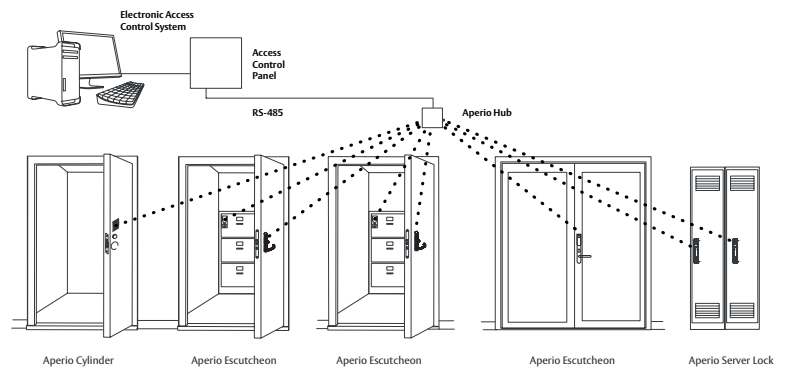
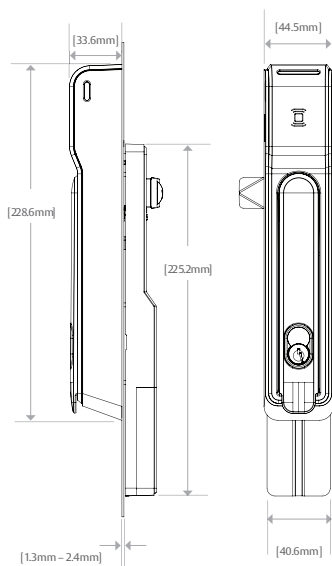


### KS100 Technical Information

<b>Power</b>	48VDC Power over Ethernet (PoE) 802.3af compliant 8-24VDC, 250mA
<b>Radio standard</b>	IEEE 802.15.4 (2.4Ghz)
<b>Encryption</b>	AES128 Bit
<b>Wireless range</b>	5-25m depending on location of hub & environment
<b>RFID technology</b>	iClass, Mifare, Desfire and 125 KHz Prox (prox separate model)
<b>Card read range</b>	Card read range < 3cm
<b>Operating temperature</b>	0-50°
<b>Finishes</b>	Black
<b>Product dimensions</b>	42W x 34 D x 223 H Suitable for 25mm x 150mm server lock openings
<b>Approvals</b>	FCC Part 15, Compliant, Industry Canada Compliant BHMA: A156.3, A156.36, A156.25 Compliant

### Ordering Information

Product description	Part number
KS100 V3 HF Server Rack Lock (with SFIC cylinder)	<b>KS103KO</b>



# P100 Padlock

The new Aperio P100 padlock is a revolutionary offering from ASSA ABLOY. With a unique, weather-protected design, the P100 is IP66 rated thereby making it the best fit for outdoor access control applications.

The P100 can work both as an online and as an offline lock, is compatible with all high frequency access control technologies and is cycle tested for 30,000 operations”.

## Key Features

- Communication from hub via RS485 bus to the Online Access Control System (addressable) - access decision in the EAC system
- Main electronics (RFID + radio) in the outside knob - secure electronics inside cylinder core
- Freely rotating lock cam
- Override Credentials: Up to 10 override credentials can be stored for an emergency access in case of failure or no communication with the access control or the hub
- Smart Credential Handling: In addition to the override credentials, the last valid credentials (up to 1000) can be cached automatically and for a limited time (up to 30 days), so that an opening can still be made without the intervention of the administrator
- LED for status visualisation
- Works with an online system or as an offline lock
- Supports the following RFID technologies: MIFARE Classic®, MIFARE Ultralight®, MIFARE® DESFire®, MIFARE Plus®, MIFARE® SE, MIFARE® DESFire® SE; iCLASS SE; iCLASS Seos®, iCLASS Seos Elite

## Scope of Delivery

- 1 Padlock assembly with battery inserted
- Installation instructions
- Battery change tool



MIFARE™  
CLASSIC / PLUS

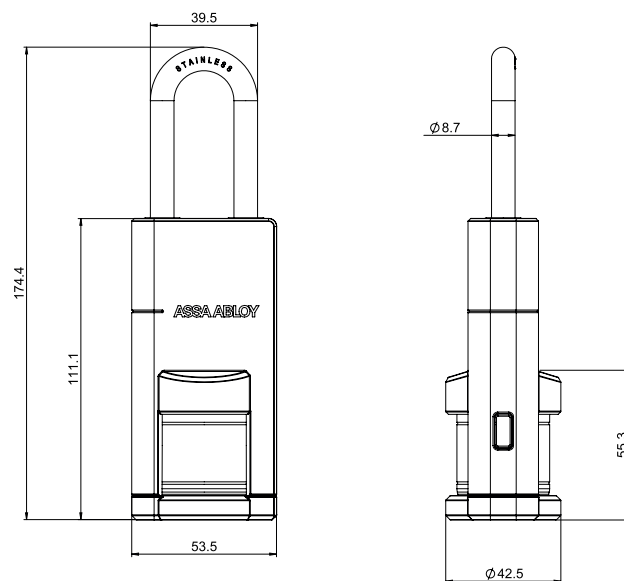
MIFARE™  
CLASSIC / DESFire®

### P100 Technical Information

<b>Battery type</b>	1 x Lithium CR2
<b>Battery lifetime</b>	<30,000 cycles (max 2 years)
<b>Radio standard</b>	IEEE 802.15.4 (2.4GHz)
<b>Encryption</b>	AES 128 Bit
<b>Wireless range: Cylinder to Hub</b>	5-25m depending on location of hub & environment
<b>RFID technology**</b>	MIFARE Classic®, MIFARE Ultralight®, MIFARE® DESFire®, MIFARE Plus®, MIFARE® SE, MIFARE® DESFire® SE; iCLASS SE; iCLASS Seos®, iCLASS Seos Elite
<b>RFID reading</b>	UID / Sector / Block / Application / File
<b>Card reading range</b>	< 4cm
<b>Operating temperature</b>	-20° to +55°C
<b>IP-degree</b>	IP 66
<b>Case colour</b>	Black
<b>Approvals</b>	CE and RCM

### Ordering Information

Product description	Part number
Aperio P100 Padlock V3	P100-100



# R100 Surface Mount Reader

The Securitron R100 surface mounted wireless card reader offers a cost effective, and aesthetically pleasing way to extend access control to glass, metal or stone surfaces without the need for cutting or drilling.

A retrofit solution capable of being installed in minutes that complements virtually any ASSA ABLOY electrified locking device. The R100 provides flexible, robust retrofit options for entryways, unlike any the industry has seen before.

## Standard Features

- For use on glass or metal surfaces
- 2.4 GHz Aperio wireless technology
- Supports HID multiCLASS SE® card technologies
- Integrates with existing access control systems and ID badges
- Audit trail limited by EAC system
- LEDs indicate valid/invalid entries; Red/Amber or Green/Amber
- Black finish

## Certifications

- FCC Part 15 & Industry Canada Compliant
- CE RED – Radio Equipment Directive – 2014/53/EU
- RoHS Compliant

## Electrical

- Estimated Battery Life: 50,000 Cycles
- 2 x “AA” lithium batteries (included)
  - AA Lithium Batteries required. Use of other types of batteries, such as alkaline, will significantly decrease battery life
  - Battery voltage monitoring
- microUSB port for emergency power

## Environmental

- Operating Temperature: 0 to 50 C
- Tested to meet IP54

## Card Technology HID®

### multiCLASS SE®

- High Frequency (13.56 MHz)
  - HID iCLASS®
  - HID iCLASS SE (SIO-enabled)
  - HID iCLASS® Seos™
  - HID MIFARE® SE
  - HID DESFire® EV1 SE
  - MIFARE CLASSIC
  - DESFire® EV1
- Low Frequency (125 kHz)
  - HID Prox®
- AWID
- EM4102
- ioProx
- NFC-enabled Mobile Phones

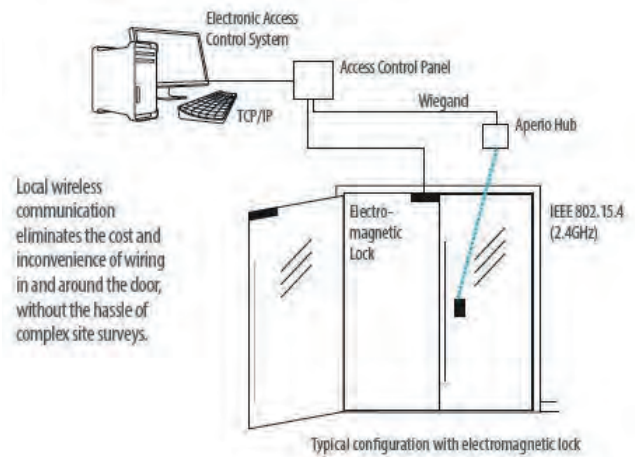
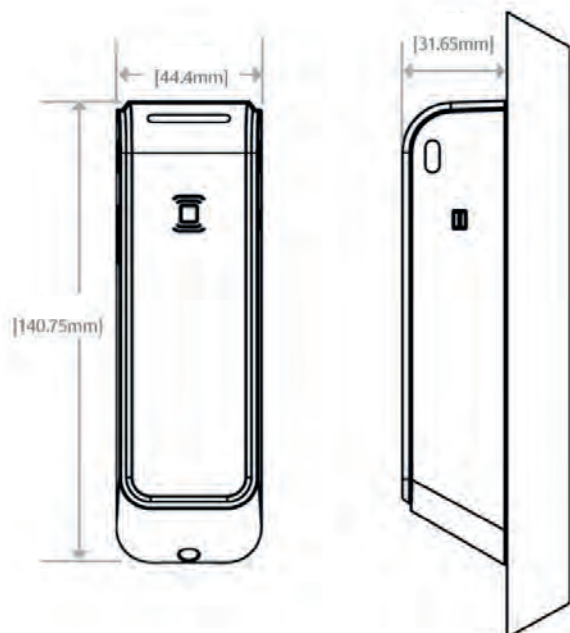


### K100 Technical Information

<b>Battery type</b>	Cr123A Lithium
<b>Battery lifetime</b>	35000 operations
<b>Radio standard</b>	IEEE 802.15.4 (2.4Ghz)
<b>Encryption</b>	AES128 Bit
<b>Wireless range</b>	5-25m depending on location of \ hub & environment
<b>RFID technology</b>	iClass, Mifare and 125 Khz Prox (prox separate model)
<b>Card read range</b>	< 3cm
<b>Operating temperature</b>	0-50°
<b>Approvals</b>	CE Ctick & ANSI A156.11-2003 Grade 1
<b>Finishes</b>	Black

### Ordering Information

Product description	Part number
R100 V3, Glass mount Reader, Black Finish	<b>R103MB</b>



# Communication Hub and EAC Interface

The communication hub is the link between Aperio Locks and the access control system. Depending on the type of hub used, up to 8 locks can be paired with one hub.

The hub communicates directly with the locks over an encrypted 2.4ghz wireless.

There are four communication hub types, the access control system you are connecting the hubs to, will depend on the type of hub selected.

## AH20

The AH20 utilises a standard Wiegand interface between the hub and the existing access control system and in addition provides four relays to provide a low level interface to report, low battery, lock jamb, unlocked and lock offline. The hub is designed to communicate with a lock within a 25m range.

## AH30

The AH30 utilises a RS-485 connection between the hub and the access control system. The hub is designed to communicate with up to eight locks within a 25m range.

## AH40

The AH40 utilises an IP (Ethernet) connection between the hub and the access control system. The hub is designed to communicate with up to eight locks within a 25m range. The AH40 can be powered via both an external power supply and POE 3.5w

## Key Features

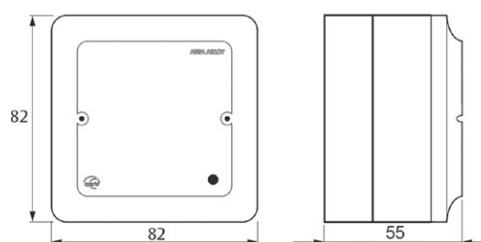
- Connect up to eight Aperio devices to a single hub
- Different interfaces allowing connection to a wide range of access control systems
- 128 Bit AES Encrypted Radio Communications
- Integrated antenna
- Led status for visual indication



AH30 1:8 RS485 Hub



AH40 IP (ethernet) Hub



## Communication Hub Technical

Hub version	Interface	Max. No. of Locks
AH20	Advanced Weigand	1
AH30	RS-485	8
AH40	IP ( Ethernet)	8

## Ordering Information

Product description	Part number
AH20 Aperio 1:1 Advance Wiegand Hub	AH20-2-0
AH30 Aperio 1:8 RS485 Hub	AH30-3-0
AH40 Aperio 1:8 IP(Ethernet) Hub	AH40-4-0

# Software and USB Radio Dongle

The Aperio® Programming Application is the software tool used to set up and programme Aperio® based products. Using the software, the installer simply plugs in the USB radio dongle to the PC to communicate directly to the Aperio® lock via the Communication Hub.

The software has an encrypted installation database that can be used to manage any number of sites.

## Key Features

### Software

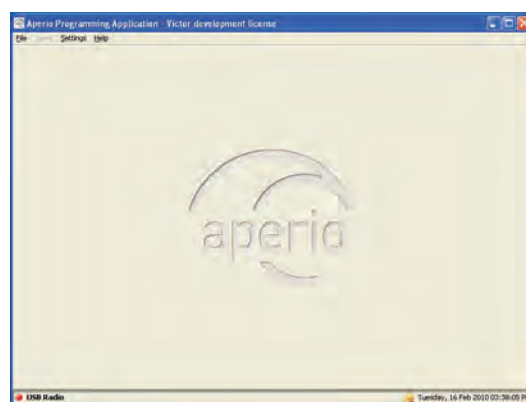
- Multilingual installation tool
- Encrypted installation database
- Installation management:
  - Unit configuration
  - Firmware update
  - Pair/Un-pair
  - Override credentials
  - Wireless status link
- RS485 settings

### Radio Dongle

- Provides communication to Aperio® based products
- Encrypted radio communication

## Applications

- Tools designed for the installer to set up and program Aperio® based products



## Ordering Information

Product description	Part number
USB Dongle	APRD1/PAP1

The ASSA ABLOY Group is the global leader in access solutions. Every day we help people feel safe, secure and experience a more open world.

**ASSA ABLOY**  
Opening Solutions

ASSA ABLOY New Zealand Ltd.  
PO Box 100407, North Shore  
Auckland 0745

6 Armstrong Road, Albany  
Auckland 0632  
New Zealand

Within New Zealand:  
Tel 09 448 9188  
Fax 0800 478 297  
[www.assaabloy.co.nz](http://www.assaabloy.co.nz)

Outside New Zealand:  
Tel +64 9 448 9188  
Fax +64 9 415 7889  
[www.assaabloy.co.nz](http://www.assaabloy.co.nz)

