

DS-2TD2636-10/15

Thermal Bi-spectrum Network Bullet Camera



Hikvision DS-2TD2636-10/15 Thermal Bi-spectrum Network Bullet Camera is applied to perimeter defense and fire-prevention purposes in critical infrastructures such as: airport, railway, prison, power station, 4S stores, and so on. The pre-alarm system helps you discover unexpected events immediately and protects you from property loss.

Smart Function (Thermal Imaging)

- Leading image processing technology: Adaptive AGC, DDE, 3D DNR, NETD < 50mk (0.05°C/32.09°F)
- Powerful behavior analysis algorithm: Line crossing, Intrusion, Audio exception, Region Entrance & Exit
- Reliable temperature exception alarm function
- Advanced fire detection algorithm

Thermal Imaging Module Function

- 384*288 resolution, high sensitivity sensor, support contrast adjustment
- Support shutter adjustment in various modes
- 3D DNR, 15 palettes of color adjustable, image detail enhancement
- Support mirror image, digital zoom X2, X4 and local output
- 10mm and 15mm Lens are optional
- Support bi-spectrum image fusion, picture in picture preview, and image switching



Specifications

Parameter		Model	DS-2TD2636-10	DS-2TD2636-15
		Thermal Bi-spectrum Network Bullet Camera		
Thermal Module	Image sensor	Vanadium Oxide Uncooled Focal Plane Arrays		
	Max. Resolution	384 × 288		
	Pixel interval	17μm		
	Response waveband	8μm to 14μm		
	NETD	< 50mk(@25°C,F#=1.0)		
	Lens (focal length)	10 mm	15 mm	
	MRAD	1.70 mrad	1.13 mrad	
	Field of View	37.7° × 28.7°	24.2° × 18.4°	
	Min. Focusing Distance	1 m	2.5 m	
	F number	1.0		
Optical camera	Max. image resolution	1920×1080		
	Image Sensor	1/2.8" Progressive Scan CMOS		
	Min. Illumination	Color: 0.002 Lux @(F1.5,AGC ON), B/W: 0.0002 Lux @(F1.5, AGC ON)		
	Shutter Speed	1s~1/100,000s		
	Focal Length	6mm	8mm	
	Field of View	52.8° × 30.0°	40.0° × 22.4°	
	WDR	Digital WDR		
	Day & Night	IR cut filter with auto switch		
Image function	Image	Support bi-spectrum image fusion, picture in picture preview, and image switching		
Smart function	VCA	Intrusion/Line crossing/Region entrance/ Region exiting, Max 8 rules		
	Temperature range	-20°C ~ 150°C		
	Temperature accuracy	± 8°C		
	Temperature measurement	Support 10 points, 10 regions and 1 line		
	Fire detection	Max 10 fire points for live view		
Infrared	IR Distance	Up to 30m		
	IR Intensity and Angle	Automatically adjusted		
Network	Main Stream	Visible Light: 50Hz:25fps(1920×1080), 25fps(1280×960), 25fps(1280×720) Visible Light: 60Hz:30fps(1920×1080), 30fps(1280×960), 30fps(1280×720) Thermal: 50fps(384×288)		
	Sub stream	Visible Light: 50Hz:25fps (704 × 576), 25fps (352 × 288), 25fps (176 × 144) Visible Light: 60Hz:30fps (704 × 480), 30fps (352 × 240), 30fps (176 × 120) Thermal: 50fps (384 × 288)		
	Video compression	H.264/MJPEG, H.264+ encoding with Baseline/Main/High Profile		
	Audio compression	G.711u/G.711a/G.722.1/MP2L2/G.726/PCM		
	Protocols	IPv4/IPv6,HTTP,HTTPS,802.1x,Qos,FTP,SMTP,UPnP,SNMP,DNS,DDNS,NTP,RTSP,RTCP,RTP,TCP,UDP,IGMP,ICMP,DHCP,PPPoE		
	Simultaneous live view	Up to 20-ch		
	User/Host level	Up to 32 users, 3 levels: Administrator, Operator, User		
	Security measures	User authentication (ID and PW), MAC address binding, HTTPS encryption, IEEE 802.1x access control, IP address filtering		
Integration	Alarm Input	Up to 2-ch Relay Input (0-5VDC)		
	Alarm Output	2-ch relay outputs, alarm response actions configurable		
	Alarm Action	SD recording/Relay output/Smart capture/FTP upload/Email linkage		
	Audio Input	1 3.5mm Mic in/Line in interface. Line input: 2-2.4V[p-p], output impedance:1KΩ±10%		
	Audio Output	Linear Level; Impedance: 600Ω		
	Reset	1 Reset Button		
	Ethernet	1 RJ45 10M/100M Self-adaptive Ethernet interface		

	SD memory card	Built-in Micro SD card slot, support Micro SD/SDHC/SDXC card (up to 128G), support manual/alarm recording
	Analog Video Output	1.0V [p-p]/75Ω, PAL/NTSC/BNC
	Application programming	Open-ended API, support ONVIF, PSIA, ISAPI, HIKVISION SDK and third-party management platform
	Client	iVMS-4200
	Web Browser	IE7+, Chrome18+, Firefox5.0+, Safari5.02+
General	Menu	English
	Power language	AC24V, DC12V, PoE+
	Work Temperature/Humidity	-40 °C to 60 °C (-40 °F to 140 °F), 90% or less
	Protection Level	IP67 Standard TVS 6000V Lightning protection, surge protection, voltage transient protection
	Dimensions	314mm×104mm×292.7mm (12.36" ×4.09" ×11.52")
	Weight	Approx. 1.55Kg(3.42lb)

Wide Range Coverage for Different Specifications

Note: The table below is only for reference, the performance varies from model to model, and the specific data is based on 17 μm pixel space-between.

Lens (focal length)	7mm	10mm	15mm	25mm	35mm	50mm	75mm
Detection range (Vehicles)	631m	902m	1353m	2255m	3157m	4510m	6765m
Detection range (Humans)	206m	294m	441m	735m	1029m	1471m	2206m
Recognition range (Vehicles)	158m	225m	338m	564m	789m	1127m	1691m
Recognition range (Humans)	51m	74m	110m	184m	257m	368m	551m
Identification range (Vehicles)	79m	113m	169m	282m	395m	564m	846m
Identification range (Humans)	26m	37m	55m	92m	129m	184m	276m

Smart functions Range Table

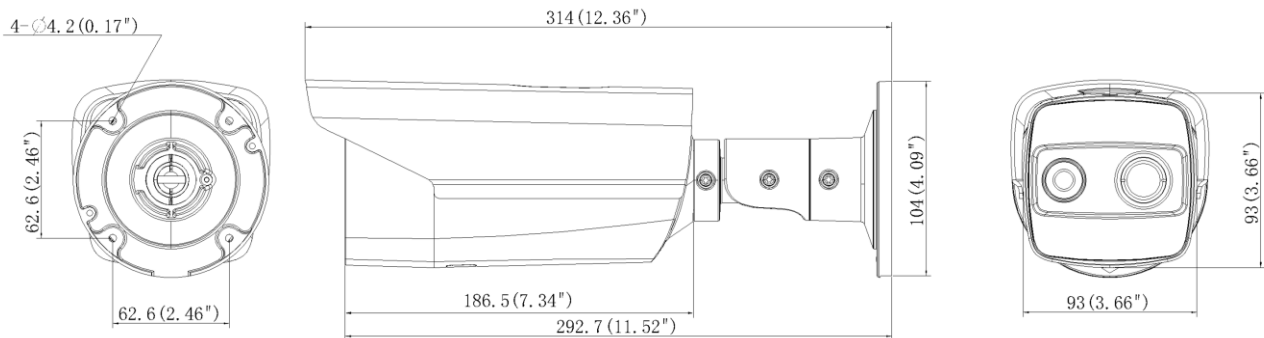
Note: The table below is only for reference, the performance varies from model to model, and the specific data is based on 17 μm pixel space-between.

Lens (focal length)	7mm	10mm	15mm	25mm	35mm	50mm	75mm
VCA range (humans)	50m	72m	110m	183m	255m	360m	540m
VCA range (Vehicles)	144m	205m	308m	514m	720m	1029m	1544m
Temperature measurement (Object:2×2 m)	164m	234m	351m	585m	819m	1170m	1775m
Temperature measurement ((Object:1×1 m)	83m	118m	177m	295m	413m	590m	885m
Fire Detection (Object:2×2 m)	412m	588m	882m	1470m	2058m	2940m	4410m
Fire Detection (Object:1×1 m)	206m	294m	441m	735m	1029m	1470m	2205m

Order Models

DS-2TD2636-10; DS-2TD2636-15;

Dimensions



Unit:
mm (inch)

Distributed by



HIKVISION®

Headquarters

No.555 Qianmo Road, Binjiang District,
Hangzhou 310051, China
T +86-571-8807-5998
overseasbusiness@hikvision.com

Hikvision USA
T +1-909-895-0400
sales.usa@hikvision.com

Hikvision Italy
T +39-0438-6902
info.it@hikvision.com

Hikvision Singapore
T +65-6684-4718
sg@hikvision.com

Hikvision Africa
T +27 (0) 0351172
sale.africa@hikvision.com

Hikvision Europe
T +31-23-55-42-770
info.eu@hikvision.com

Hikvision France
T +33(0)1-85-330-450
info.fr@hikvision.com

Hikvision Oceania
T +61-2-8599-4233
salesau@hikvision.com

Hikvision Hong Kong
T +852-2151-1761

Hikvision Middle East
T +971-4-8816086
salesme@hikvision.com

Hikvision Spain
T +34-91-737-16-55
info.es@hikvision.com

Hikvision Canada
T +1-909-895-0400
sales.usa@hikvision.com

Hikvision Russia
T +7-495-669-67-99
saleru@hikvision.com

Hikvision Poland
T +48-22-460-01-50
poland@hikvision.com

Hikvision Korea
T +82-31-731-8841
sales.korea@hikvision.com

Hikvision India
T +91-22-28469900
sales@pramahikvision.com

Hikvision UK
T +01628-902140
support.uk@hikvision.com

Hikvision Brazil
T +55 11 3318-0050
Latam.support@hikvision.com