

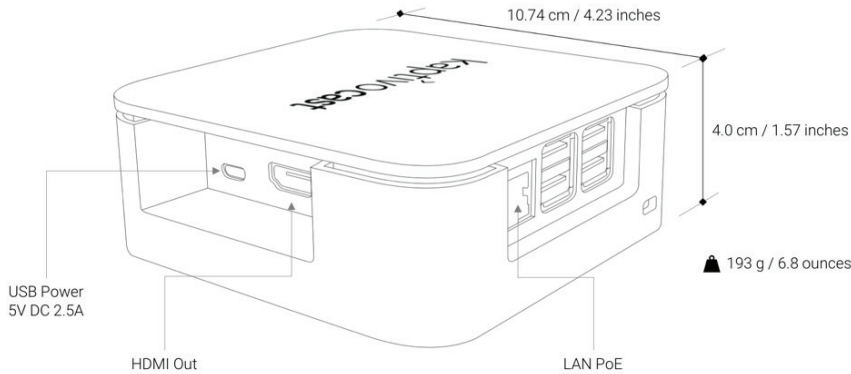
KaptivoCast HDMI Converter for Kaptivo Model: KC100

DESCRIPTION

The KaptivoCast HDMI converter pairs with your Kaptivo Enterprise device (model AF-10380-970) to livestream vibrant, unobstructed whiteboard images to any HDMI-capable input device including TV displays, video conference codecs, or lecture capture systems. Seamlessly integrate into video systems from all leading providers.

KEY FEATURES	REQUIREMENTS	IN THE BOX
Converts Kaptivo whiteboard session stream into HDMI signal	Kaptivo Enterprise (AF-10380-970) sold separately	KaptivoCast HDMI Converter Unit
Two connection methods: <ul style="list-style-type: none"> Point-to-point (direct Ethernet connection from KaptivoCast to Kaptivo) Network connection (requires both Kaptivo and KaptivoCast to be on the same network subnet) 	Source of power (AC power or Power over Ethernet)	Optional VESA mount (10 cm x 10 cm)
	HDMI input device (display or video codec)	HDMI Cable (2 m / 6.5 ft)
		Ethernet Cable (2 m / 6.5 ft)
		Power supply with adapters for US, EU, UK, and AUS/NZ
		Quick Start Guide

DIMENSIONS AND INPUT/OUTPUT



DETAILS

- Environment:
- Operating temperature, 0-40 °C
- Country of Origin:
- UK
- Warranty:
- 2-year limited manufacturers hardware warranty

VIDEO OUTPUT	CONNECTORS	COMPLIANCE
Supports up to 1080p @ 60fps	Ethernet 10/100/1Gb PoE (IEEE 802.3af)	Tested for compliance to the required Regulatory Standards for the following Countries: <ul style="list-style-type: none"> USA Canada All Countries of the European Union (CE Mark) Australia New Zealand
Automatically adjusts to aspect ratio of the screen	HDMI Out	
INPUT POWER	Micro USB – 5V / 2.5A DC Input	Additional safety testing to cTUVus
5V / 2.5A DC via micro USB connector		
Power over Ethernet (PoE) enabled		

KAPTIVO SPECIFICATIONS

FEATURES	DETAILS	IN THE BOX	
Maximum Whiteboard Size Supported	6 ft x 4 ft (1.8m x 1.2m)	<ul style="list-style-type: none"> Kaptivo camera unit with detachable cable to control pad Control pad with Power Over Ethernet connectivity option Ethernet cable USB power adapter and cable US, UK, EU and AUS plug adapters Wall mounting plates and screws Quick Start Guide and table tent 	
Connectivity	Wi-Fi (802.11 b/n/g) or Ethernet, or HDMI (sold separately) SSL Data Encryption		
Client Application	Web-browser based application <ul style="list-style-type: none"> No downloads, no plugins Use any computer or mobile device 		
Cable Between Camera Unit & Control Pad: <ul style="list-style-type: none"> Camera Unit Connector Control Pad Connector Cable Length 	Detachable Both Sides USB B Proprietary Micro USB 8 ft (2.45m) *Optional Accessory 16 ft (6.25m)	<h3>REQUIREMENTS</h3> <ul style="list-style-type: none"> Standard board (up to 6 ft x 4 ft or 1.6m x 1.2m) with a glass, plastic or ceramic surface Network connection Standard web browser AC power or Power-over-Ethernet 	
AC Power Supply (input): <ul style="list-style-type: none"> Output Voltage Power Consumption (Max) AC Adapter Type Cable Length 	100-240 V AC, 50/60 Hz 5V DC 2.5 W USB A (US, UK, EU & AUS plugs included) 8 ft (2.45m)		AC power supply not required for Power-over-Ethernet operation
Product Certifications	TuV, FCC, CE, RCM		

FEATURES

CLOUD SERVICE FEATURES
Access on Any Device via Browser
Advanced Image Processing
Automatic Image Capture
Whiteboard Live View/Sharing
View Timeline of Changes
Download Single Snapshot
Download Full Session as PDF
Invite Participants
Authenticate Participants
Share via Any Video Conferencing Software
Share to Productivity Software (Slack, Trello)*
FEATURES
Password Protected Account and Device Management Portal
Three-Year Hardware Warranty
Automatic Firmware Updates*
VIDEO CONFERENCE ROOM INTEGRATIONS
BlueJeans Room Integration*

*Note: Features only available when operating in cloud mode.

PRICING

SOLUTION	MSRP	SKU
Kaptivo <i>Cloud and Self-Hosted Capability</i>	\$995	AF-10380-970
KaptivoCast <i>HDMI Accessory (Optional)</i>	\$295	KC100
Kaptivo Mobile Suction Cup Mount	\$50	KA100-M
Kaptivo Extended Length Data Cable: 14ft (4.25m)	\$75	KA101-C

