

iDS-2CD8C46G0P-XZS

4 MP DeepinView Multi-Lens Bullet Camera



## ▪ DeepinView<sup>series</sup>

- Adopt dual-channel design so you can get details in channel 1 and panorama in channel 2.
- High quality imaging with 4 MP resolution in channel 1 and 7 MP in channel 2
- Excellent low-light performance via DarkFighter technology
- Clear imaging against strong back light due to 120 dB WDR technology in channel 1 and digital WDR in channel 2
- Efficient H.265+ compression technology to save bandwidth and storage
- Face detection supports up to 120 faces per frame
- Built-in high-efficient patent soft supplement light without light pollution, and ensure the face capture in night



## ▪ Specification

Camera	
Image Sensor	Channel 1: 1/1.8" Progressive Scan CMOS Channel 2: 1/1.8" Progressive Scan CMOS
Min. Illumination	Channel 1: Color: 0.0014 Lux @(F1.2, AGC ON) B/W: 0.0004 Lux @(F1.2, AGC ON), 0 Lux with IR Channel 2: Color: 0.001 Lux @(F1.0, AGC ON) B/W: 0.0003 Lux @(F1.0, AGC ON), 0 Lux with IR
Shutter Speed	1/25 s~1/100,000 s
P/N	P/N
Wide Dynamic Range	Channel 1: 120 dB Channel 2: digital WDR
Day & Night	Channel 1: IR cut filter Channel 2: No
Angle Adjustment	Channel 1: Capture unit: Tilt $\pm 5^\circ$ motorized adjustment Channel 2: Monitoring unit: Tilt $\pm 15^\circ$ motorized adjustment
Power-off Memory	Yes
Available Camera/Video Channel	2
Lens	
Focus	Channel 1: (Motorized) 10~50 mm: semi-auto Channel 2: (Fixed) 4 mm: No
Lens Type & FOV	Channel 1: (Motorized) 10~50 mm @F1.2, horizontal FOV: 39.9°~9.5°, vertical FOV: 22.0°~5.3°, diagonal FOV: 46.3°~10.9° Channel 2: (Fixed) 4 mm @F1.0: horizontal FOV 160°, vertical FOV: 48°
Aperture	Channel 1: (motorized) 10~50 mm, F1.2 Channel 2: (Fixed) 4 mm, F1.0
Lens Mount	Channel 1: (Motorized) 10~50 mm, CS Channel 2: (Fixed) 4 mm, M16
Fixed Aperture	Channel 1: (Motorized) 10~50 mm, Yes Channel 2: (Fixed) 4 mm, No
Aperture Type	Channel 1: (Motorized) 10~50 mm, auto-iris Channel 2: (Fixed) 4 mm, fixed
Illuminator	
Smart Supplement Light	Yes
Supplement Light	Channel 1: hybrid illumination Channel 2: whitelight
Supplement Light Range	Channel 1: 15 m (Face capture/recognition) Channel 2: 30 m (normal surveillance)

<b>Video</b>	
Max. Resolution	Channel 1: 2560 × 1440 Channel 2: 4976 × 1452
Main Stream	Channel 1: 50 Hz: 25 fps (2560 × 1440, 1920 × 1080, 1280 × 720) 60 Hz: 30 fps (2560 × 1440, 1920 × 1080, 1280 × 720) Channel 2: 50Hz: 25 fps (4976 × 1452) 60Hz: 30 fps (4976 × 1452)
Sub Stream	Channel 1: 50Hz: 25 fps (704 × 576, 640 × 480) 60Hz: 30 fps (704 × 480, 640 × 480) Channel 2: 50Hz: 25 fps (2560 × 748) 60Hz: 30 fps (2560 × 748)
Third Stream	Channel 1: 50Hz: 25 fps (1920 × 1080, 1280 × 720, 704 × 576, 640 × 480) 60Hz: 30 fps (1920 × 1080, 1280 × 720, 704 × 480, 640 × 480) Channel 2: No
Fourth Stream	Channel 1: 50Hz: 25 fps (704 × 576, 640 × 480) 60Hz: 30 fps (704 × 480, 640 × 480) Channel 2: No
Fifth Stream	Channel 1: 50Hz: 25 fps (704 × 576, 640 × 480) 60Hz: 30 fps (704 × 480, 640 × 480) Channel 2: No
Video Compression	H.265/H.264/MJPEG
Video Bit Rate	32 Kbps~16 Mbps
H.264 Type	BaseLine Profile/Main Profile/High Profile
H.265 Type	Main Profile
H.264+	Main stream supports
H.265+	Main stream supports
Scalable Video Coding (SVC)	H.265 and H.264 support
<b>Audio</b>	
Environment Noise Filtering	Yes
Audio Sampling Rate	8 kHz/16 kHz/32 kHz/48 kHz
Audio Compression	G.711/G.722.1/G.726/MP2L2/PCM/MP3
Audio Bit Rate	64Kbps(G.711)/16Kbps(G.722.1)/16Kbps(G.726)/32-192Kbps(MP2L2)/32Kbps(PCM)/8-320Kbps(MP3)
Audio Type	Mono sound
<b>Network</b>	
Simultaneous Live View	Up to 20 channels

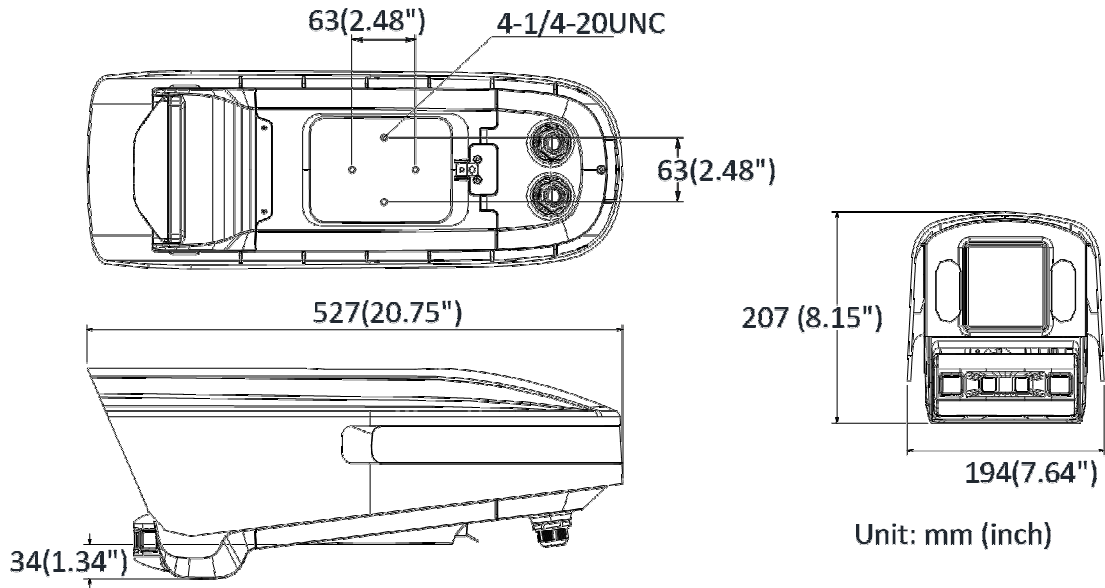
API	Open Network Video Interface (PROFILE S, PROFILE G, PROFILE T), ISAPI, SDK, ISUP
Protocols	TCP/IP, ICMP, HTTP, HTTPS, FTP, SFTP, SRTP, DHCP, DNS, DDNS, RTP, RTSP, RTCP, PPPoE, NTP, UPnP, SMTP, SNMP, IGMP, 802.1X, QoS, IPv6, UDP, Bonjour, SSL/TLS
User/Host	Up to 32 users. 3 user levels: administrator, operator and user
Network Storage	microSD/SDHC/SDXC card (256 G) local storage, and NAS (NFS, SMB/CIFS), auto network replenishment (ANR)
Client	iVMS-4200, Hik-Connect, Hik-Central
Web Browser	Plug-in required live view: IE8+ Plug-in free live view: Chrome 57.0+, Firefox 52.0+, Safari 11+ Local service: Chrome 41.0+, Firefox 30.0+
<b>Image</b>	
Day/Night Switch	Day/Night/Auto/Schedule/Triggered by Alarm In
Target Cropping	Channel 1: Yes Channel 2: No
DNR	3D DNR
Picture Overlay	LOGO picture can be overlaid on video with 128 × 128 24bit bmp format
Image Enhancement	Channel 1: BLC, HLC, 3D DNR, Defog, EIS Channel 2: BLC, HLC, 3D DNR, Defog
Image Parameters Switch	Yes
Image Settings	Rotate mode, saturation, brightness, contrast, sharpness, gain, white balance adjustable by client software or web browser
SNR	50 dB
<b>Interface</b>	
Alarm	2 inputs, 2 outputs (max. 24 VAC or 24 VDC, 1 A)
Audio	1 inputs (line in), 3.5 mm connector, max. input amplitude: 3.3 vpp, input impedance: 4.7 K $\Omega$ , interface type: non-equilibrium; 1 output (line out), 3.5 mm connector, max. output amplitude: 3.3 vpp, output impedance: 600 $\Omega$ , interface type: non-equilibrium,
RS-485	1 RS-485 (half duplex, HIKVISION, Pelco-P, Pelco-D, self-adaptive)
Video Output	1 Vp-p Composite Output (For debugging only)
Hardware Reset	Yes
Communication Interface	1 RJ45 10M/100M/1000M self-adaptive Ethernet port
<b>Smart Feature-Set</b>	
Smart Event	Line crossing detection, intrusion detection, region entrance detection, region exiting detection, unattended baggage detection, object removal detection, scene change detection, audio exception detection, defocus detection
Counting	Yes
<b>Intelligent (Traditional Algorithm)</b>	
Basic Event	Motion detection, video tampering alarm, exception (network disconnected, IP address conflict, illegal login, HDD full, HDD error)
Human Body Attributes	Yes
<b>Intelligent (Deep Learning Algorithm)</b>	
Multi-target-type Detection	Supports simultaneous detection of human body and face Gets 8 face features and 13 human body features

Face Capture	<p>Face detection performance: Detects up to 120 faces simultaneously</p> <p>Face detection angle: Supports swing left and right from -60° to 60°, tilt up and down from -30° to 30°</p> <p>Upload face with background (1920 × 1080, 1280 × 720, 2560 × 1440) and closed-up face pictures</p>
Face Recognition	<p>Detects, captures and selects best human face pictures</p> <p>Recognizes face identity via face modeling, grading and comparing to those in face library</p> <p>Up to 10 face libraries, up to 150000 faces, and each face library is configurable</p> <p>Face library encryption: the camera chip has a hardware encryption module to protect data</p>
<b>General</b>	
Linkage Method	Upload to FTP/NAS/memory card, notify surveillance center, send email, trigger alarm output, trigger recording, trigger capture
Online Upgrade	Yes
Firmware Version	V5.5.150
General Function	Anti-flicker, 5 streams and up to 5 custom streams, heartbeat, mirror, privacy masks, flash log, password reset via e-mail, pixel counter
Software Reset	Yes
Storage Conditions	-30 °C to 60 °C (-22 °F to 140 °F). Humidity 95% or less (non-condensing)
Startup and Operating Conditions	-30 °C to 60 °C (-22 °F to 140 °F). Humidity 95% or less (non-condensing)
Power Supply	24 VAC ± 20%
Power Consumption and Current	24 VAC, 1.82 A, max. 28.1 W
Power Interface	Three-core terminal block
Camera Dimension	527 × 194 × 207 mm (20.75" × 7.64" × 8.15")
Package Dimension	652 × 402 × 363 mm (25.67" × 15.83" × 14.29" )
Camera Weight	8.1 kg (17.86 lb.)
With Package Weight	13.0 kg (28.66 lb.)
<b>Approval</b>	
Class	Class A
Protection	IP66
<b>Intelligent ( Facial Recognition )</b>	
Invalid Capture Filter	Yes
Face Capture	<p>Detects up to 30 faces at simultaneously</p> <p>Supports swing left and right from -60° to 60°, tilt up and down from -30° to 30°</p> <p>Uploads face with background and closed-up face pictures</p>

## ▪ Available Model

iDS-2CD8C46G0P-XZS

## ▪ Dimension





▪ **Accessory**

▪ **Optional**

Distributed by



<b>DS-1214-ZJ(FH)-P</b> <b>Horizontal pole</b> <b>mount</b>	<b>DS-2204ZJ-P</b> <b>Wall Mount</b>
	

## HIKVISION

**Headquarters**

No.555 Qianmo Road, Binjiang District,  
 Hangzhou 310051, China  
 T +86-571-8807-5998  
 overseasbusiness@hikvision.com

**Hikvision USA**  
 T +1-909-895-0400  
 sales.usa@hikvision.com

**Hikvision Australia**  
 T +61-2-8599-4233  
 salesau@hikvision.com

**Hikvision India**  
 T +91-22-28469900  
 sales@pramahikvision.com

**Hikvision Canada**  
 T +1-866-200-6690  
 sales.canada@hikvision.com

**Hikvision Thailand**  
 T +662-275-9949  
 sales.thailand@hikvision.com

**Hikvision Europe**  
 T +31-23-5542770  
 sales.eu@hikvision.com

**Hikvision Italy**  
 T +39-0438-6902  
 info.it@hikvision.com

**Hikvision Brazil**  
 T +55 11 3318-0050  
 Latam.support@hikvision.com

**Hikvision Turkey**  
 T +90 (216)521 7070- 7074  
 sales.tr@hikvision.com

**Hikvision Malaysia**  
 T +601-7652-2413  
 sales.my@hikvision.com

**Hikvision UK & Ireland**  
 T +01628-902140  
 sales.uk@hikvision.com

**Hikvision South Africa**  
 Tel: +27 (10) 0351172  
 sale.africa@hikvision.com

**Hikvision France**  
 T +33(0)1-85-330-450  
 info.fr@hikvision.com

**Hikvision Kazakhstan**  
 T +7-727-9730667  
 nikia.panfilov@hikvision.ru

**Hikvision Vietnam**  
 T +84-974270888  
 sales.vt@hikvision.com

**Hikvision UAE**  
 T +971-4-4432090  
 salesme@hikvision.com

**Hikvision Singapore**  
 T +65-6684-4718  
 sg@hikvision.com

**Hikvision Spain**  
 T +34-91-737-16-55  
 info.es@hikvision.com

**Hikvision Tashkent**  
 T +99-87-1238-9438  
 uzb@hikvision.ru

**Hikvision Hong Kong**  
 T +852-2151-1761  
 info.hk@hikvision.com

**Hikvision Russia**  
 T +7-495-669-67-99  
 saleru@hikvision.com

**Hikvision Korea**  
 T +82-(0)31-731-8817  
 sales.korea@hikvision.com

**Hikvision Poland**  
 T +48-22-460-01-50  
 info.pl@hikvision.com

**Hikvision Indonesia**  
 T +62-21-2933759  
 Sales.Indonesia@hikvision.com

**Hikvision Colombia**  
 sales.colombia@hikvision.com