

SBV-160BW

Back Box



FC |  | CE | EAC

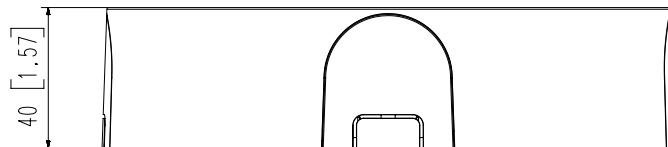
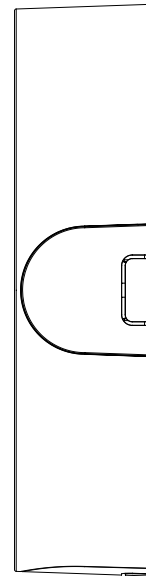
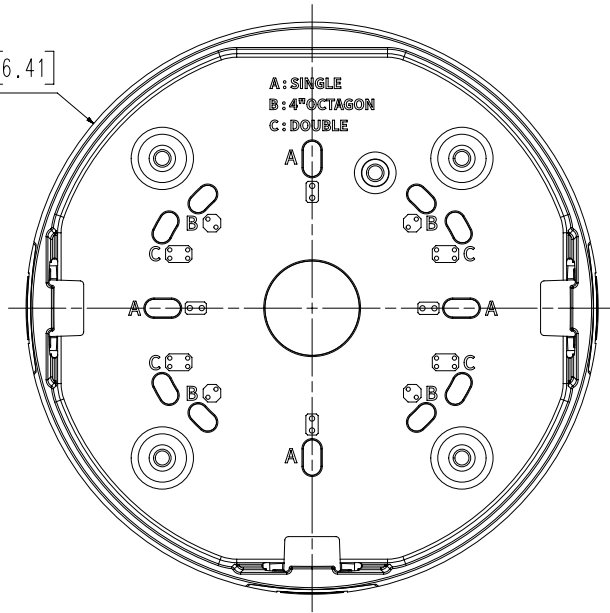
Key Features

- Color : White
 - Material : Aluminum
 - Dimension : Ø162.8 x 40.0mm (6.41" x 1.57")
 - Weight : 360g (0.79 lb)
 - Operation Temp. : -50°C ~ +60°C (-58°F ~ +140°F)
 - Operation Hum. : 0~100%RH
 - Supported Products : XNF-9010RV/RVM, XND-9082RV, XND-8082RV, XND-6081RV/6081REV, XND-8081RV/8081ERV, PND-A9081RV
- For further compatible models, please check out Wisenet ToolBox Plus

Environmental	
Operating Temperature / Humidity	-50°C ~ +60°C (-58°F ~ +140°F) / Less than 100% RH
Storage Temperature / Humidity	-50°C ~ +60°C (-58°F ~ +140°F) / Less than 100% RH
Mechanical	
Color	White
Material	Aluminum
RAL code	RAL9003
Product dimensions / weight	Ø162.8x40.0mm(6.41x1.57"), 360g(0.79 lb)
Conduit hole	19.1mm (3/4") (M25)
Supported products	XNF-9010RV/RVM, XND-9082RV, XND-8082RV, XND-6081RV/6081REV, XND-8081RV/8081ERV, PND-A9081RV ※ For further compatible models, please visit our website or use Toolbox

- The latest product information / specification can be found at hanwha-security.com
- Design and specifications are subject to change without notice.
- Wisenet is the proprietary brand of Hanwha Techwin, formerly known as Samsung Techwin.

Ø 162.79 [6.41]



A2

© Hanwha Techwin Co., Ltd. All rights reserved.

3	파생 MODEL2	
2	파생 MODEL1	
1	SBV-160BW	'21.02.17
No.	MODEL NAME	DATE
Unit:mm[inch] SCALE:1/1		Hanwha Techwin