

Value Vertical Cable Manager Instructions

Double-sided

Single-sided

4 widths available

4 in. 102 mm	6 in. 152 mm	10 in. 254 mm	12 in. 305 mm
-----------------	-----------------	------------------	------------------

Divider plates

RS1-07-S series rack
(Double-Sided 6 in. version shown throughout)

Parts:

- 4 – Manager fingers
- 4 – Doors (double-sided ver.)
- 12 – 3/8" -16x1" bolts
- 12 – 3/8" Hex nuts
- 12 – lock washers
- 12 – flat washers

Tools:

- 9/16" socket wrench
- Small flat screwdriver
- Philips screwdriver

Optional end of row accessories:

End of row panels (for single or double-sided)

- 2 – Covers
- 4 – #8 x 1/2" Philip screws
- *6 – 3/8" -16x1" bolts
- *6 – 3/8" Hex nuts
- *Included with manager

Anchoring Bracket for top & bottom (end of row stability)

- 1 – Bracket
- 2 – #8 x 1/2" Philips head screws

VCM1A-SP(X)-1-45

VCM1A-BRKT-1

See page 4 for divider plate attachments (also sold separately)

RS1-07-S series

1

THIS END UP

2

Use small holes

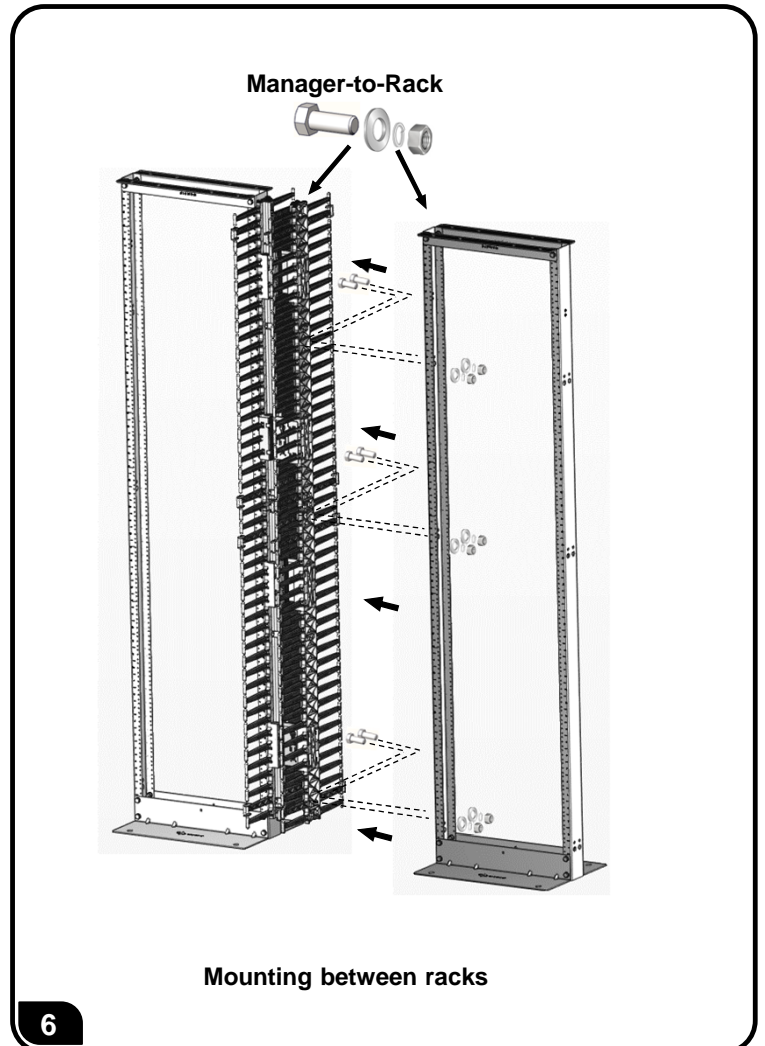
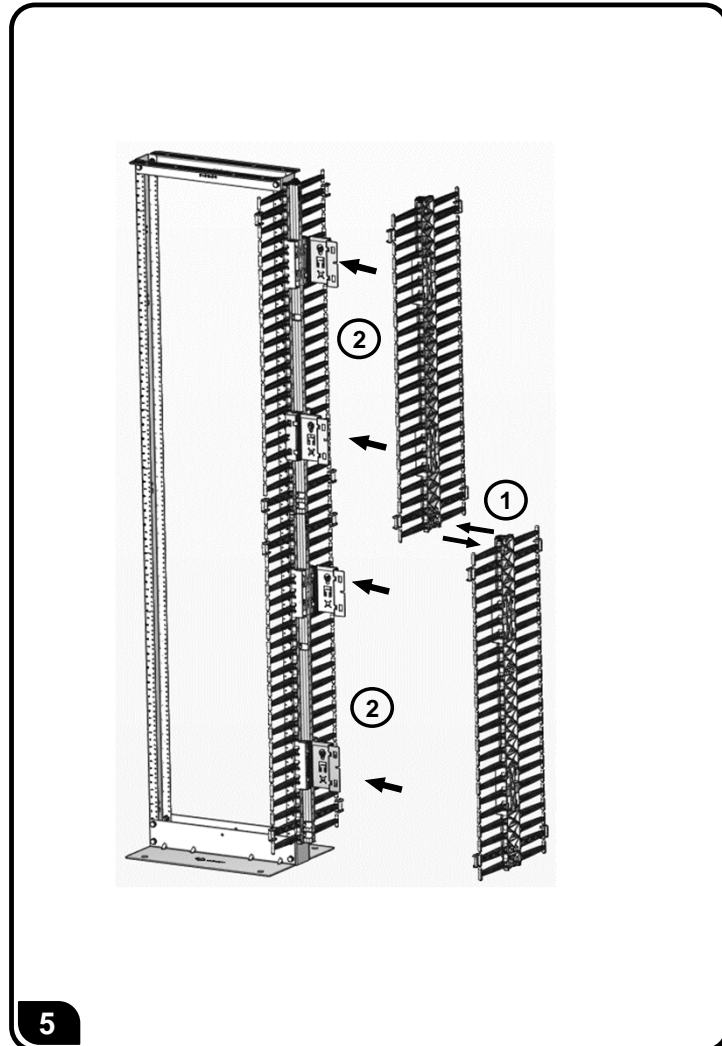
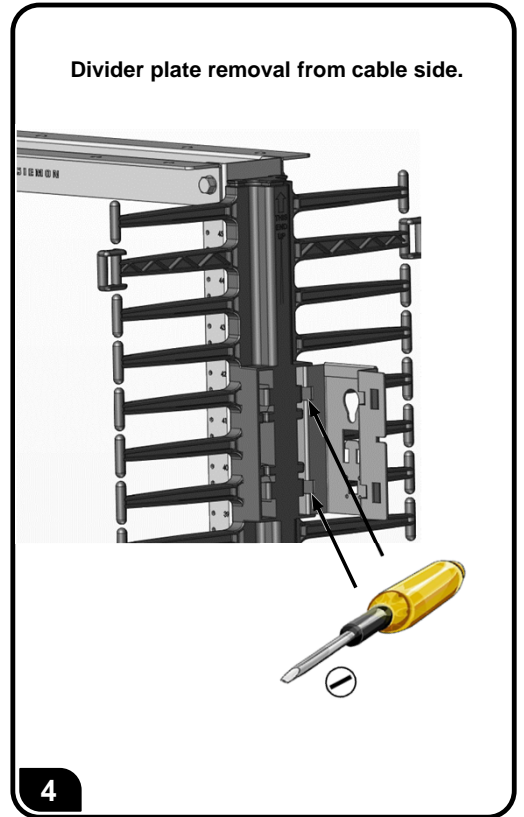
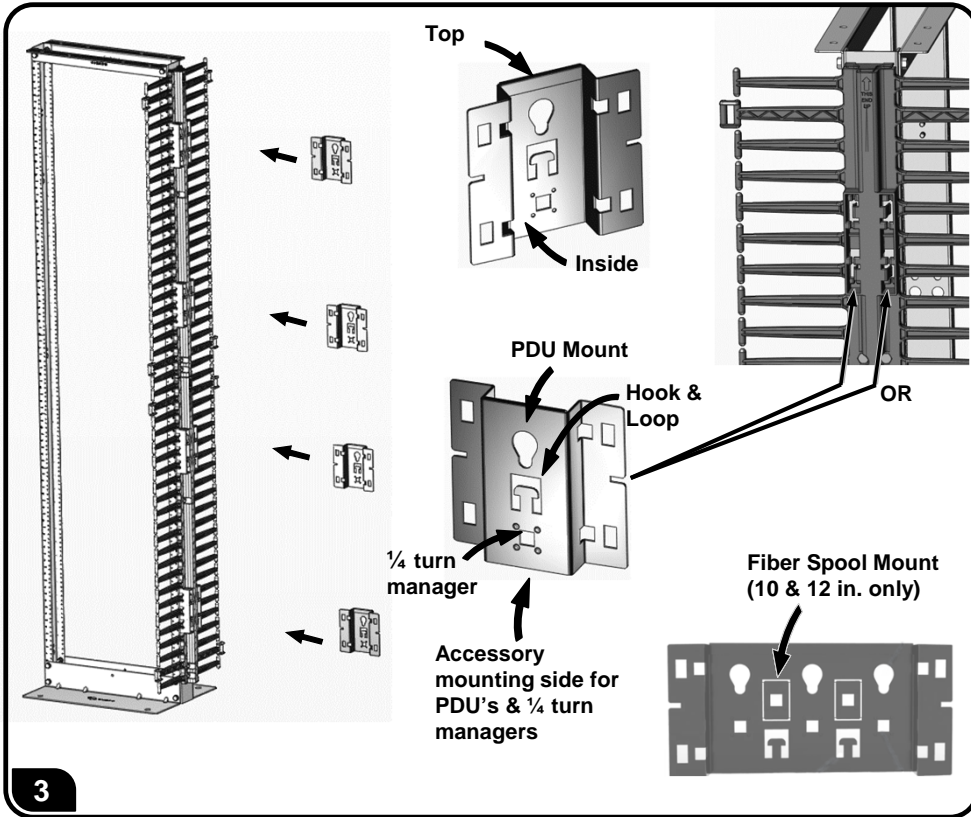
9/16" socket wrench

1

2

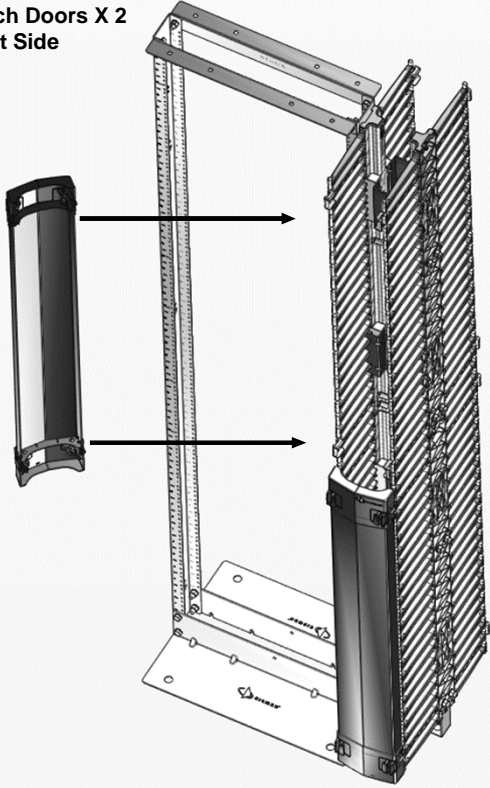
3

Value Vertical Cable Manager Instructions



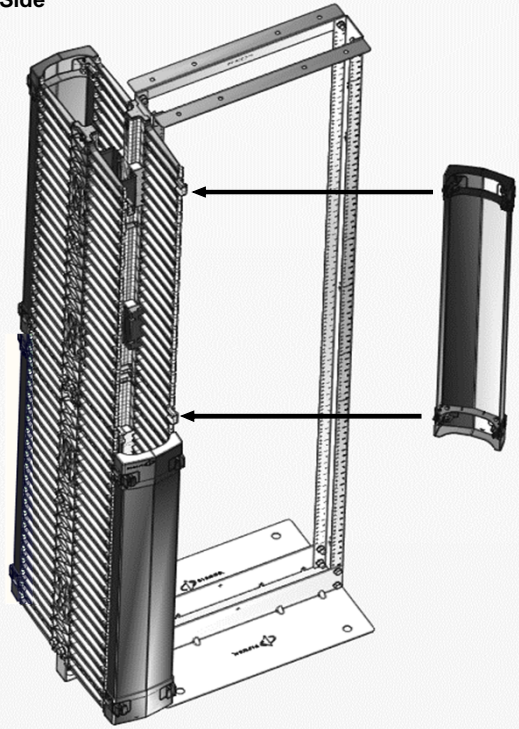
Value Vertical Cable Manager Instructions

Attach Doors X 2
Front Side



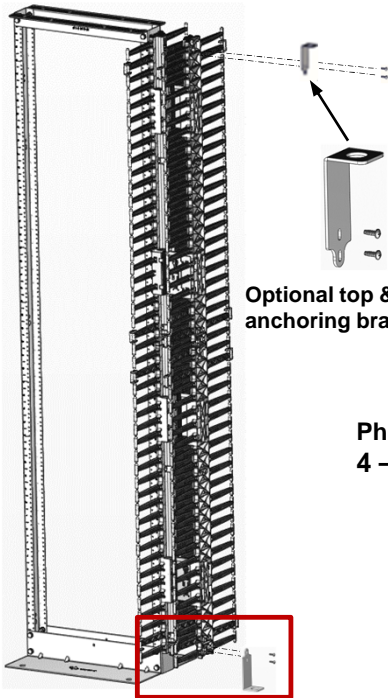
7

Attach Doors X 2
Rear Side



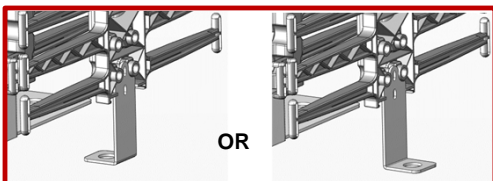
8

End Of Row Accessories (sold separately)



Optional top & bottom
anchoring bracket

Philips Screwdriver
4 - #8 x 1/2" screws



OR

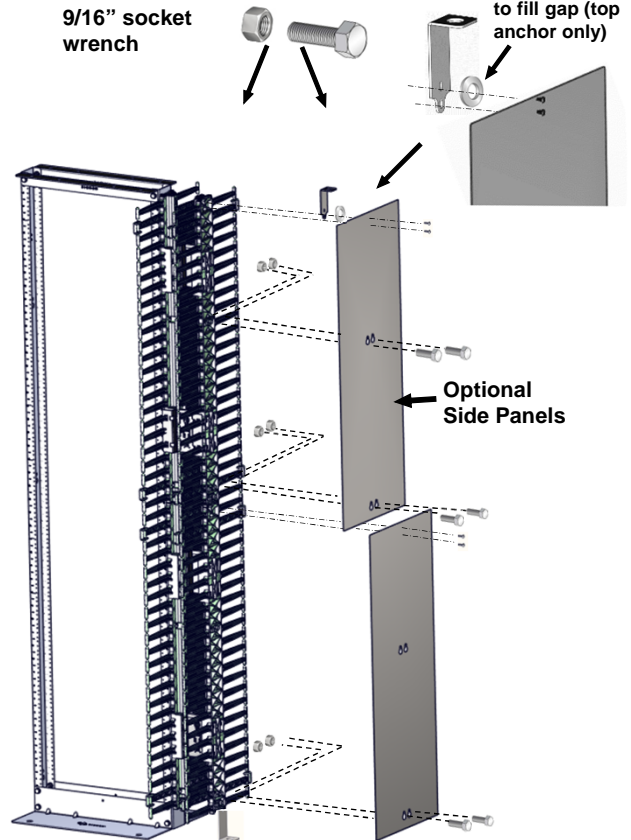
Attachment options for top and
bottom anchoring brackets

9

Manager-to-Side Panel

9/16" socket
wrench

Use washer
to fill gap (top
anchor only)



Optional
Side Panels

Value Vertical Cable Manager Instructions

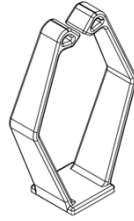
Divider plate accessories (sold separately)



VCM-(XX)-(XX)



RS-VCM



RS-CH



VP-SPL

To assist safe installations, comply with the following:

- A. Use caution when installing or modifying telecommunications circuits.
- B. Never touch uninsulated wire terminals unless the circuit has been disconnected.
- C. Never install this device in a wet location.
- D. Never install wiring during a lightning storm.

Lors de l'installation, respectez les consignes de sécurité suivantes:

- A. Utiliser avec prudence lors de l'installation ou de la modification circuits de télécommunications.
- B. Ne jamais toucher les bornes de fil métallique non isolés sauf si le circuit a été débranché.
- C. Ne jamais installer cet appareil dans un endroit humide.
- D. Ne jamais installer pendant un orage.

To ensure you have the latest
revision to this document, please visit: www.Siemon.com



Global Headquarters
Watertown, Connecticut USA
Tel: (1) 866-548-5814

For a complete listing of our global offices visit our web site