

## NDA-7051-PIPW Pendant Interface Plate, 220mm



This camera-specific accessory is designed for use with Bosch's line of universal accessories. The modular camera mounts & accessories are a family of mounts, mounting adapters, pendant interface plates and surveillance cabinets which can be used with a wide range of Bosch cameras. The accessories are easy to install and can be combined to simplify installation in multiple locations while retaining the same look and feel.

### Functions

The NDA-7051-PIPW is designed especially for outdoor use with the FLEXIDOME multi 7000i family. It provides a safe, robust and watertight solution to mount your camera to:

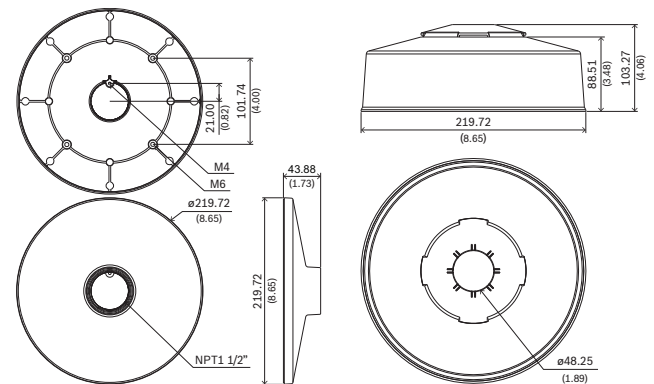
- NDA-U-WMT Pendant wall mount
- NDA-U-PMT Pendant pipe mount

### Certifications and approvals

Environmental	
Salt mist	IEC60068-2-52
Vibration	NEMA TS2
Shock	IEC60068-2-27
Impact	IK10

- ▶ Modular design for fast and easy installation
- ▶ One accessory line for multiple camera families from Bosch
- ▶ Weather resistant finish to maintain cosmetic appearance
- ▶ Allows installation of your camera to a wall mount (NDA-U-WMT) or pendant pipe mount (NDA-U-PMT)

### Installation/configuration notes



Dimensions in mm (in.)

### Parts included

Quantity	Component
1	Pendant interface plate
4	M6 x 12 mm T25 screw
1	M4 x 12 mm T25 screw
1	Quick installation guide

### Technical specifications

Mechanical	
Dimension ( $\emptyset$ x H) (mm)	219,72 mm x 43,88 mm
Dimension ( $\emptyset$ x H) (in)	8,65 in. x 1,72 in.

Weight (g)	220 g
Weight (lb)	0.49 lb
Color in RAL	RAL 9003 Signal white
Material	Aluminum

### Ordering information

**NDA-7051-PIPW Pendant Interface Plate, 220mm**  
Pendant interface plate for FLEXIDOME multi 7000i  
Order number **NDA-7051-PIPW | F.01U.391.133**

#### Represented by:

**Europe, Middle East, Africa:**  
Bosch Security Systems B.V.  
P.O. Box 80002  
5600 JB Eindhoven, The Netherlands  
Phone: + 31 40 2577 284  
emea.securitysystems@bosch.com  
emea.boschsecurity.com

**Germany:**  
Bosch Sicherheitssysteme GmbH  
Robert-Bosch-Ring 5  
85630 Grasbrunn  
Germany  
www.boschsecurity.com

**North America:**  
Bosch Security Systems, LLC  
130 Perinton Parkway  
Fairport, New York, 14450, USA  
Phone: +1 800 289 0096  
Fax: +1 585 223 9180  
onlinehelp@us.bosch.com  
www.boschsecurity.us

**Asia-Pacific:**  
Robert Bosch (SEA) Pte Ltd, Security Systems  
11 Bishan Street 21  
Singapore 573943  
Phone: +65 6571 2808  
Fax: +65 6571 2699  
apr.securitysystems@bosch.com  
www.boschsecurity.asia