

Electric Mortise Locks



We take the worry out of
protecting what's valuable to you.
Lockwood: *no worries*[®]

LOCKWOOD

ASSA ABLOY

25YEAR

**MECHANICAL
WARRANTY**

www.lockweb.com.au

Contents



3570 Series Electric

Mortice Lock

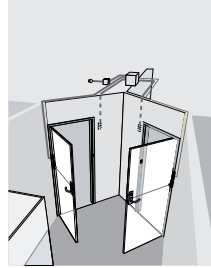
page 3



3570/3670 Series

Proximity Mortice Lock and Furniture

page 9



3570 Series Room Guard

Electric Mortice Locks and Controller

page 13



3580 Series Electric

Mortice Lock

page 16



Power Transfer Lead

page 21

3570 Series Electric Mortice Lock



Information



Designed and manufactured in Australia, the 3570 Series Electric Mortice Lock is a high performance lock of superior quality. It is constructed from high grade zinc alloy, with a stainless steel latch bolt and face plate and is suited for all commercial applications.

The lock can be operated by push buttons, intercom systems and key switches or integrated with electronic access control systems for use with higher security devices such as keypads or card readers.

Product Details

Voltage	12Vdc - 24Vdc operating voltage
Current	500mA (max) 80mA holding @ 12Vdc 275mA (max) 50mA holding @ 24Vdc
LED Current	When LEDs are fitted, add 15mA (max) to total current draw
Monitoring	Dual key override Deadlatched Locked Door closed Request to exit Microswitches: 500mA (max) @ 30Vdc each circuit Reedswitch: 100mA (max) @ 30Vdc
Environment	Operational temperature range -20°C to +60°C
Case/Cover	High purity zinc alloy construction
Backset	60mm standard, 89 and 127 mm available
Latch bolts	Reversible with stainless steel construction
Door Clearance	3 - 6.5 mm
Door thickness	Standard applications 32 to 50mm
Cylinder	Standard Lockwood oval shaped cylinders
Cabling	1.6 metre length of cable with 12 pin socket supplied with each lock Recommended cable: 18AWG (0.82mm ²) cable runs up to 30m
Furniture	Compatible with Lockwood series door furniture
Standard Finishes	Satin Chrome (SC) standard, Bright Chrome (CP) and Polished Brass (PB)

Standards and Compliance

S3	(Security) Australian Lock Standard (AS4145.2.1993) (when used with equivalent security level keying system)
D3	(Durability) Australian Lock Standard (AS4145.2.1993)
	Successfully fire rated up to 4 hours on fire door assemblies in accordance with AS1905.1. 2005 (Part 1: Fire Resistant Doorsets)
	C-Tick Certified
	3570 Series: SCEC endorsed for intruder resistant areas
	3579 Series: SCEC endorsed for secure areas

3570 Series Electric Mortise Lock

Key Features

Designed with flexibility in mind, the one lock can cover all functions and is easily configured on site for the required application.

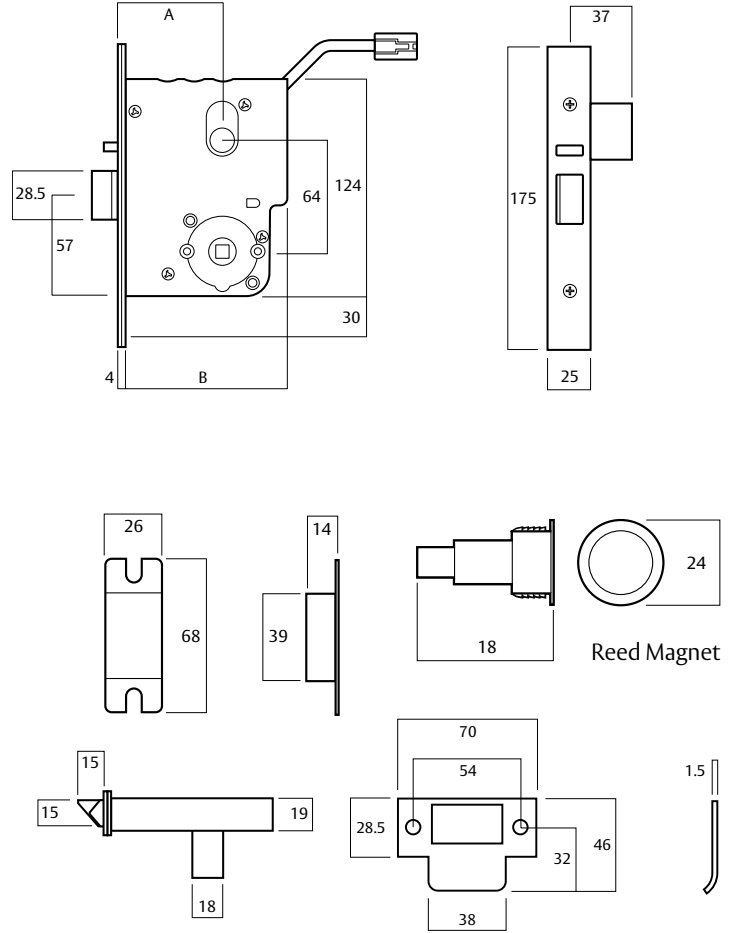
Available in non monitored and monitored versions.

Monitoring Features:

- Dead latched and locked
- Door position/Reed switch
- Dual key override monitoring
- Request to exit/REX
- LED indication

Field Changeable Settings:

- Fail safe/fail secure configuration
- Multi-voltage - will work on 12-24 Vdc systems
- Handing - left hand and right hand doors
- Selection of free lever or locked lever on both sides of the door
- Key override monitoring either side of the door
- Monitoring contacts – normally closed, normally open (for key override and request to exit only)



Note: Width of case increases from 19mm to 23 mm for 3579 series SCEC lock

3570 Series Electric Mortise Lock

Dimension	Backset		
A	60	89	127
B	100	129	167

Specification Statement

The lock should be capable of operation on voltages between 12 – 24Vdc and have a current consumption not more than 80mA (holding) @12Vdc and 50mA (holding) @24Vdc. Monitored locks must be capable of monitoring the following functions: key override, door position / reed switch, selectable hub / request to exit and locking bar status. All monitoring outputs must have the ability to be wired independently. All settings including fail safe / fail secure, handing and hub selection must be field configured.

3570 Series Electric Mortice Lock

Ordering Procedure

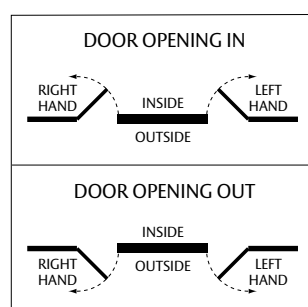
Sample part number 3572ELAM2RSC is made up of several sections. Choose your product by selecting an option from each section.

Backset	Fixing	Lock Functions	Electric Lock	Safety Function	Sub Function	Handing	Finish
3	5	72	EL	A	M2	R	SC
Backset		Lock Function		Safety Function		Handing	
60 mm	3	Primary Lock	70	Fail Safe (Power to lock)	L	Right Handed	R
89 mm	4	Vestibule Lock	72	Fail Secure (Power to unlock)	E	Left Handed	L
127 mm	5	Combination Lock	74			Finish	
		Secure Area Rated Lock	79	Safety Function		Satin Chrome	SC
Fixing		Electric Lock		Non-monitored Lock (0 Cylinders)	N0	Chrome Plate	CP
Standard	5	Electric Lock	EL	Non-monitored Lock (1 Cylinders)	N1	Polished Brass	PB
Securafix®	6			Non-monitored Lock (1 Cylinder)	N1		
				Non-monitored Lock (2 Cylinders)	N2		
				Fully monitored Lock including KOM (0 Cylinders)	M0		
				Fully monitored Lock including KOM (1 Cylinder)	M1		
				Fully monitored Lock including KOM (2 Cylinders)	M2		

Ordering Notes

- 3570 primary locks can be set to achieve all lock functions post purchase, and should be the preferred option when ordering.
- Customised locks are available upon request and incur an additional surcharge and 10 day lead time.
- Securafix locks are available in 60mm backset only and are made to order. 10 day lead time.
- See over page for primary lock part numbers.

Handing Chart



Backset Nominate backset as required, e.g. 60mm	3
Fixing Select the desired fixing method, e.g. Standard Fixing 35	35
Lock Function Select function, e.g. Vestibule Lock	3572
Electrical Variant Indicate that this is an Electric Lock	3582EL
Safety Function Select whether lock should be Fail Secure or Fail Safe, e.g. Fail Safe	3572ELA
Monitoring and Key Override Options Select monitoring and cylinders to be supplied, e.g. Monitored Lock with two cylinders	3572ELAM2
Handing Determine left or right handing, e.g. Right Handed	3572ELAM2R
Finish Specify appropriate finish, e.g. Satin Chrome	3572ELAM2RSC

3570 Series Electric Mortice Lock

Primary Electric Mortice Lock Ordering Procedure

Part Number	Cylinders	Product Description - Non-Monitored
3570ELN0SC	No Cylinder	Electric Mortice Lock 3570 Primary Lock 60 mm Backset Non Monitored
3570ELN1SC	1 Cylinder	Electric Mortice Lock 3570 Primary Lock 60 mm Backset Non Monitored
3570ELN2SC	2 Cylinders	Electric Mortice Lock 3570 Primary Lock 60 mm Backset Non Monitored
4570ELN0SC	No Cylinder	Electric Mortice Lock 4570 Primary Lock 89mm Backset Non Monitored
4570ELN1SC	1 Cylinder	Electric Mortice Lock 4570 Primary Lock 89 mm Backset Non Monitored
4570ELN2SC	2 Cylinders	Electric Mortice Lock 4570 Primary Lock 89 mm Backset Non Monitored
5570ELN0SC	No Cylinder	Electric Mortice Lock 5570 Primary Lock 127 mm Backset Non Monitored
5570ELN1SC	1 Cylinder	Electric Mortice Lock 5570 Primary Lock 127 mm Backset Non Monitored
5570ELN2SC	2 Cylinders	Electric Mortice Lock 5570 Primary Lock 127 mm Backset Non Monitored
Part Number	Cylinders	Product Description - Non-Monitored (hub, deadlatch, solenoid, door position, key override monitoring all as standard)
3570ELM0SC	No Cylinder	Electric Mortice Lock 3570 Primary Lock 60 mm Backset Monitored
3570ELM1SC	1 Cylinder	Electric Mortice Lock 3570 Primary Lock 60 mm Backset Monitored
3570ELM2SC	2 Cylinders	Electric Mortice Lock 3570 Primary Lock 60 mm Backset Monitored
4570ELM0SC	No Cylinder	Electric Mortice Lock 4570 Primary Lock 89 mm Backset Monitored
4570ELM1SC	1 Cylinder	Electric Mortice Lock 4570 Primary Lock 89 mm Backset Monitored
4570ELM2SC	2 Cylinders	Electric Mortice Lock 4570 Primary Lock 89 mm Backset Monitored
5570ELM0SC	No Cylinder	Electric Mortice Lock 5570 Primary Lock 127 mm Backset Monitored
5570ELM1SC	1 Cylinder	Electric Mortice Lock 5570 Primary Lock 127 mm Backset Monitored
5570ELM2SC	2 Cylinders	Electric Mortice Lock 5570 Primary Lock 127 mm Backset Monitored

Ordering Notes

- Primary locks can be set post purchase to achieve all desired lock settings e.g. fail safe or fail secure, left hand or right hand, combination lock (locked both sides) or vestibule lock (locked outside and free lever inside)
- All locks are multi-voltage 12-24Vdc
- 3570 primary locks (std 60mm backset) are stocked items. All other items are made to order, 10 day lead time.

3570 Series Electric Mortice Lock

Accessories - Rebate Kits

Part Numbers	"A"	Finish
3570-2905BC 3570-3905BC	32 46	Bright Chrome
3570-2905PB 3570-3905PB	32 46	Polished Brass
3570-2905SC 3570-3905SC	32 46	Satin Stainless Steel

Accessories - Long Lipped Strikes

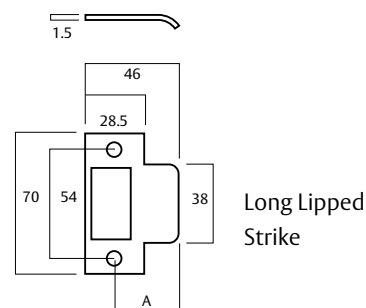
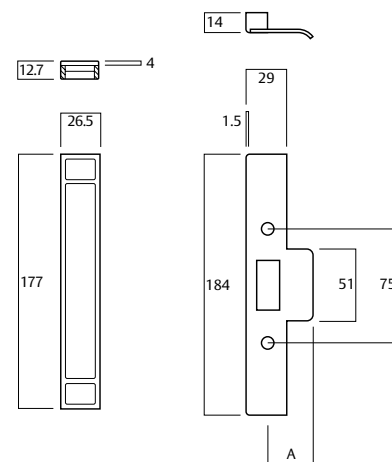
Part Numbers	"A"	Finish
3570-5353CP 3570-5653CP	43.5 47.5	Bright Chrome
3570-5353PB 3570-5653PB	43.5 47.5	Polished Brass
3570-5253SSS 3570-5453SSS	43.5 47.5	Satin Stainless Steel

Accessories - Ordering Information

Part Numbers	Finish
SP572-3129	LED assembly to suit 3570/3580 (suits furniture for monitored locks)
SP3570-1055	LED assembly to suit 3570/3580 (suits furniture for monitored locks)
SP3570-5861	LED assembly to suit 3570/3580 (suits furniture for monitored locks)
LC8810	323mm Power Transfer Cable
LC8811	543mm Power Transfer Cable

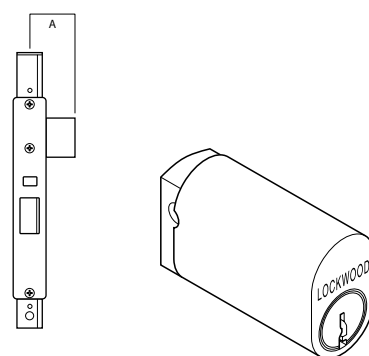
Accessories - Long Lipped Strikes

"A" Cylinder Projection	Cylinder Length	Recommended Door Thickness
41	37	50 to 60
52	48	60 to 84
64	60	84 to 108
80	76	108 to 132
88	84	132 to 156



Extended Cylinders

Extended cylinders should be considered when door thickness exceeds 50 mm or when the lock is mounted off centre in the door edge. A range of cylinders is available to suit various door thicknesses. Refer to ASSA ABLOY Australia Keying and Restricted Price List for further information.

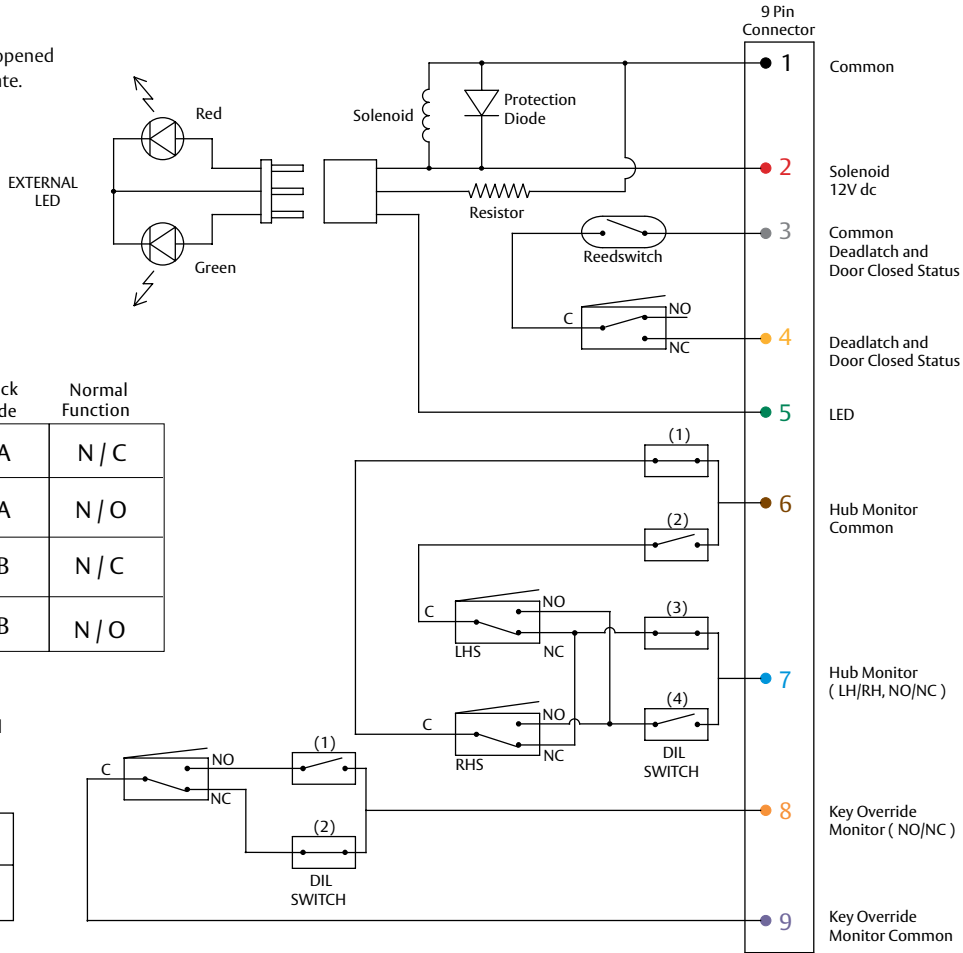


3570 Series Electric Mortice Lock

Electrical Specifications

Circuit Diagram

Note: Diagram depicts fail safe RH opened door, with handle and key in rest state.



DIL Switch Settings

Hub Monitor

ON OFF	Switch No.				Lock Side	Normal Function
	1	2	3	4		
ON	■	■	■	■	A	N / C
OFF	■	■	■	■	A	N / O
ON	■	■	■	■	B	N / C
OFF	■	■	■	■	B	N / O

Key Override Monitor Selection

Set the 2 WAY DIL SWITCH to desired setting, refer to table.

ON OFF	Switch No.		Normal Function
	1	2	
ON	■	■	N / O
OFF	■	■	N / C

Solenoid Activation

Operating Voltage:

12 - 24Vdc

Operating Current:

500mA (max) 80mA holding @ 12Vdc

275mA (max) 50mA holding @ 24Vdc

For confirmation of the above mentioned operating current, please see installation manual

LED Current

Where LEDs are fitted, add 20mA (max) to total operating current

Monitoring Circuits

Microswitches: 500mA (max) @ 30Vdc each circuit

Reedswitch: 100mA (max) @ 30Vdc

Colour

Colour	Function
Black	Solenoid (0Vdc)
Red	Solenoid Positive (12Vdc - 30Vdc)
Green	LED (12Vdc - 30Vdc)
Yellow	Door Closed Reedswitch (NC)
Pink	Door Closed Reedswitch (Common)
Light Blue	Deadlatched and Locked (NC)
Grey	Deadlatched and Locked (Common)
White	Deadlatched and Locked Centre Tap
Brown	Hub Monitor (NO or NC)
Blue	Hub Monitor (Common)
Orange	Key Override Monitor (NO or NC)
Violet	Key Override Monitor (Common)

3570/3670 Series Proximity Mortice Lock and Furniture



Description

When security, safety, functionality and stylish design are a priority, there's only one solution – Lockwood Proximity Furniture!

Incorporating proximity technology within its sleek external door plate, the reader connects directly to a Lockwood Electric Mortice Lock.

Easy to install and operate, Lockwood Proximity Furniture is available in a wide range of stylish levers and finishes to enhance any contemporary building design, bringing a new dimension to commercial security locking solutions.



One Install – One Connect. Comprising the Lockwood Electric Mortice Lock, HID Proximity Reader and Door Furniture.

Proximity Furniture™ is available in standard “through fix” and Securafix specifications.

Product Details

HID Reader	HID 125KHz Proximity Reader Data Output: Weigand Supply Voltage: 5-12Vdc LED: visual indication of reader / lock status
Lock Voltage	12Vdc - 24Vdc
Current	500mA (max) 80mA holding @ 12Vdc 275mA (max) 50mA holding @ 24Vdc
Indicator	Dual key override Deadlatched Locked Door closed Request to exit Microswitches: 500mA (max) @ 30Vdc each circuit Reedswitch: 100mA (max) @ 30Vdc
Environment	Operational temperature range -20°C to +60°C
Case/Cover	Furniture: Solid brass construction Lock: High purity zinc alloy construction
Backset	Lock available in 60mm backset only
Latch bolts	Reversible 15mm stainless steel construction
Door Clearance	3 - 6.5mm
Door thickness	Standard applications 32 to 45mm standard
Cylinder	Standard Lockwood oval shaped cylinders
Cabling	1.6 metre length of cable with 12 pin socket Recommended cabling: 18AWG (0.82mm ²) cable runs up to 30m
Furniture	Compatible with Lockwood series door furniture
Standard Finishes	Satin Chrome (SC) standard, Bright Chrome (CP) and Polished Brass (PB)

Standards and Compliance

S3	(Security) Australian Lock Standard (AS4145.2.1993) (when used with equivalent security level keying system)
D3	(Durability) Australian Lock Standard (AS4145.2.1993)
	Successfully fire rated up to 4 hours on fire door assemblies in accordance with AS1905.1. 2005 (Part 1: Fire Resistant Doorsets)
	C-Tick Certified

3570/3670 Series Proximity Mortice Lock and Furniture

Key Features

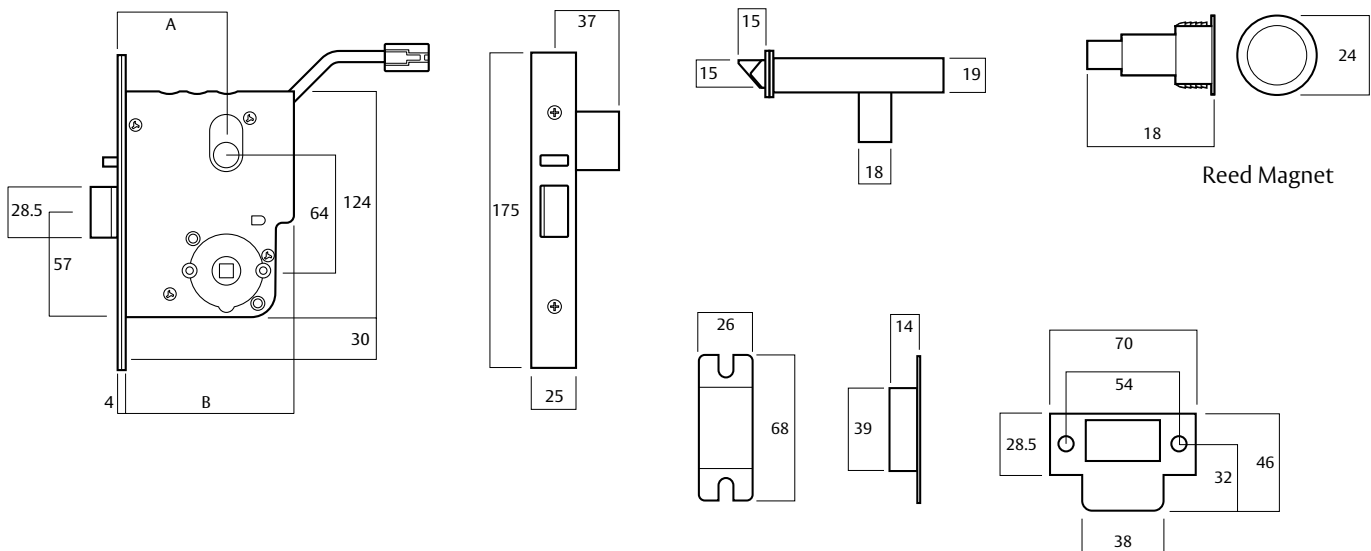
- Integrated proximity reader -125 Khz HID Prox
- One install one connect
- Fully monitored

Monitoring Features:

- Dead latched and locked
- Door position/reed switch
- Dual key override
- Request to exit/REX

Field Changeable Settings:

- Fail safe/fail secure configuration
- Multi-voltage - will work on 12-24 Vdc systems
- Handing - left hand and right hand doors
- Selection of free lever or locked lever on both sides of the door
- LED indication
- Monitoring contacts – normally closed, normally open (for key override and request to exit only)



Specification Statement

The lock and door furniture should encompass an integrated proximity reader, capable of reading HID 125khz proximity technology with card formats up to 85bits. Operational voltage should be between 12-24Vdc. The lock must be capable of monitoring the following functions: key override, door position / reed switch, independent hub / request to exit and locking bar status. All settings including fail safe / fail secure, handing and hub selection must be field configured.

3570/3670 Series Proximity Mortice Lock and Furniture

Ordering Procedure

Sample part number 3570PLM0SC is made up of several sections. Choose your product by selecting an option from each section.

Backset	Fixing	Lock Functions	Proximity Lock	Monitoring	Finish
3	5	70	PL	M0	SC
Backset		Lock Functions		Monitoring	
60 mm	3	Primary Lock	70	Monitored Lock including KOM (0 cylinders)	M0
Fixing		Proximity Lock		Monitored Lock including KOM (1 cylinder)	M1
Standard	5	Proximity Lock	PL	Finishes	
Securafix®	6			Satin Chrome	SC
				Bright Chrome	CP
				Polished Brass	PB

Ordering Notes

Part Numbers	Product Description
3570-1055	12 wire cable extension 7.5m length
prox1-125khz	125 Khz HID reader assembly for prox furniture

- All 3570 and 3670 Series Proximity Mortice Locks are non-handed and can be set to required settings post purchase

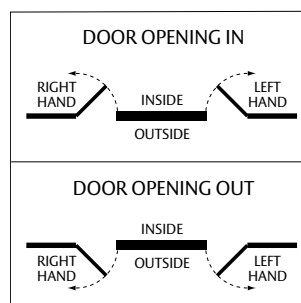
Proximity Furniture Ordering Procedure

Sample Part Number 1878SF70RCP55 is made up of several sections. Choose your product by selecting an option from each section.

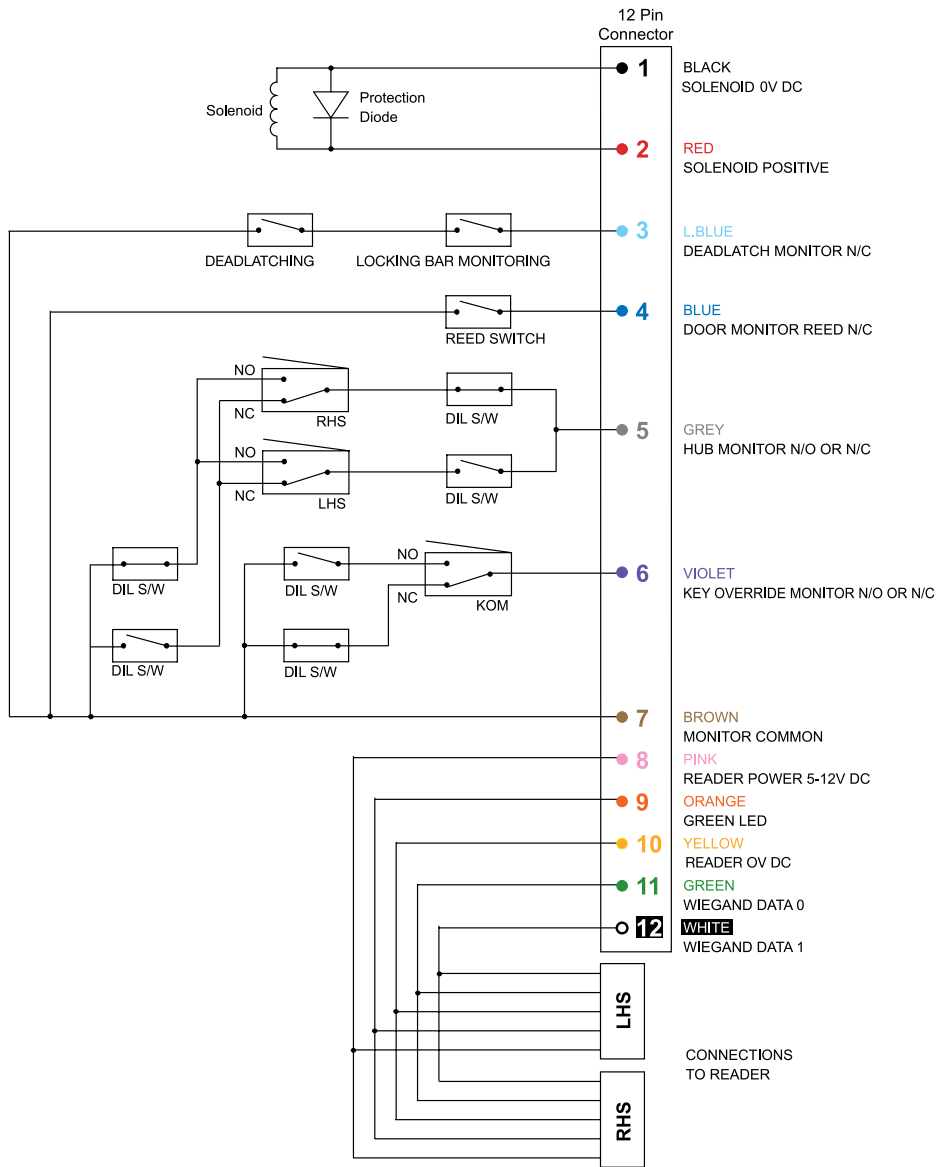
Plate Type	Plate Function	Fixing	Lever/ Knob	Handing	Finishes	Door Thickness
18	78	SF	70	R	CP	55
Plate Type		Fixing		Handing		Door Thickness
Exterior Square End	18	Standard	(no suffix)	Right Handed	R	32-45mm (no suffix)
Exterior Round End	28	Securafix	SF	Left Handed	L	45-55mm 55
Plate Function		Lever/Knob		Finishes		55-65mm 65
Exterior plate with HID 125 kHz proximity reader	78	Specify lever or knob, subject to existing tier structure		Chrome Plate	CP	65-75mm 75
Internal plain plate and lever	6	Tier 1		Polished Brass	PB	
		00, 20, 32, 39, 40, 60, 70, 71, 78, 80, 83, 87, 90, 97.		Satin Chrome	SC	
		Tier 2				
		41, 43, 44, 45, 48, 50, 53, 54, 57, 59, 61, 69, 72, 73, 74.				

Securafix® Ordering Notes

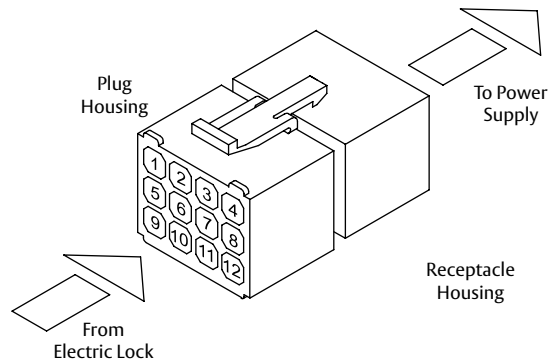
- One internal plate and one external plate is required for each lock.
- For each set of furniture plates, one must be handed R and one handed L. Furniture plates are ordered separately to the lock.
- The handing of Securafix plates cannot be changed.



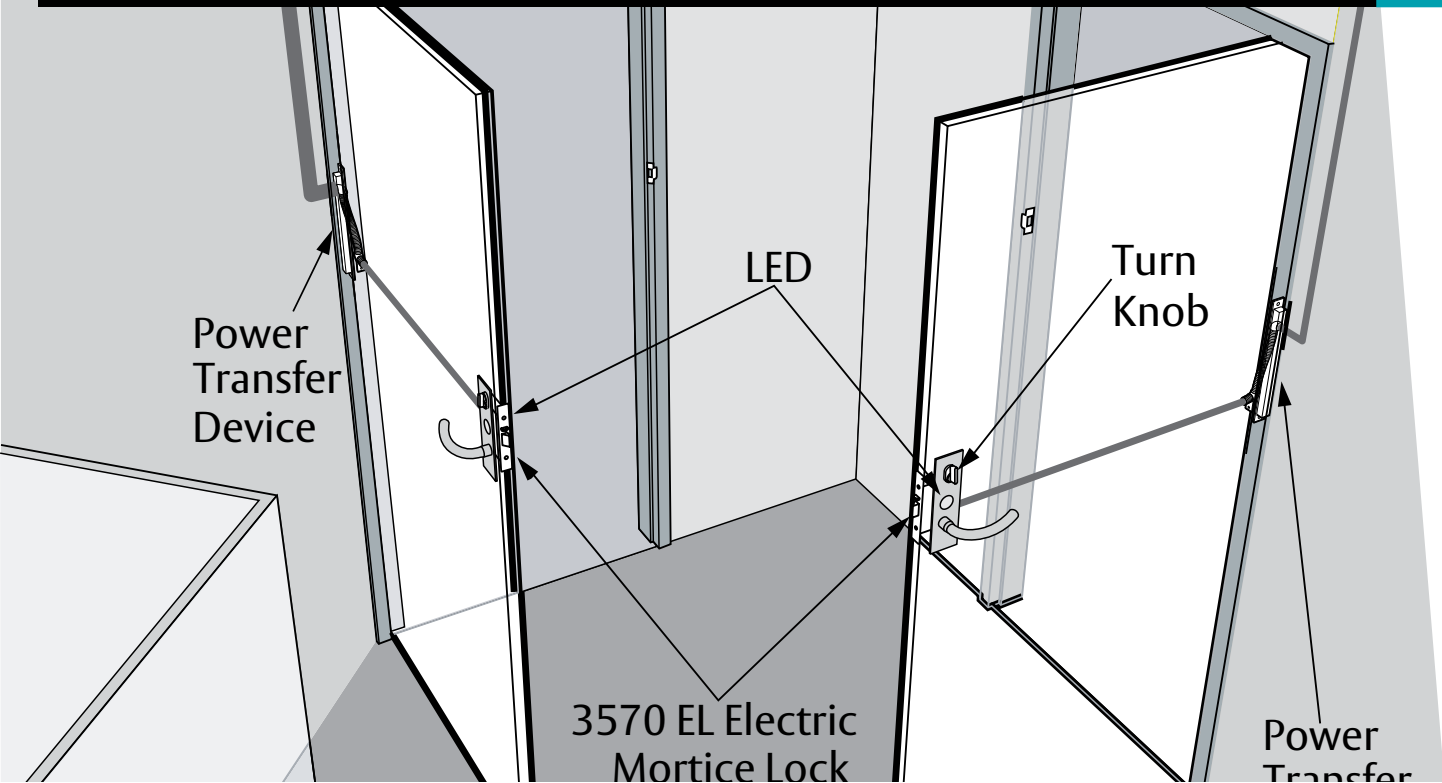
3570/3670 Series Proximity Mortice Lock and Furniture



Pin	Colour	Function
1	Black	Common 0Vdc
2	Red	Soleniod Positive
3	Light Blue	Deadlatch Monitor N/C
4	Blue	Door Monitor Reed N/C
5	Grey	Hub Monitor N/O or N/C
6	Violet	Key Override Monitor N/O or N/C
7	Brown	Monitor Common
8	Pink	Reader Power 5-12Vdc
9	Orange	Green LED
10	Yellow	Reader 0Vdc
11	Green	Weigand Data 0
12	White	Weigand Data 1



3570 Series Room Guard Electric Mortice Lock Controller



Description

The Room Guard privacy controller system provides electronic lock control of multiple doors for any room requiring privacy by the occupants. The most common applications are shared ensuites in hospitals and conference rooms with two or more entry doors.

The system allows all doors to be locked and unlocked from any door in the system. Each lock provides a clear visual indication, both inside and outside, which displays the locked/unlocked status of the door at a glance.


Key Features

- Uses standard 3570EL Series Mortice Lock
- Non-handed – all settings are field configured
- One touch privacy
- Clear visual indication - LED furniture
- Unique integrated turn knobs
- Emergency override

Product Details

Voltage	12Vdc - 24Vdc
Current	500mA (max) 80mA holding @ 12Vdc 275mA (max) 50mA holding @ 24Vdc
LED Current	When LEDs are fitted, add 15mA (max) to total current draw
Monitoring	Microswitches: 500mA (max) @ 30Vdc each circuit. Reedswitch: 100mA (max) @ 30Vdc
Environment	Operational temperature range -20°C to +60°C
Case/Cover	High purity zinc alloy construction
Backset	60mm standard, 89 and 127 mm available
Latch bolts	Reversible with stainless steel construction
Door Clearance	3 - 6.5 mm
Door thickness	Standard applications 32 to 50mm
Cylinder	Standard Lockwood oval shaped cylinders
Cabling	1.6 metre length of cable with 12 pin socket supplied with each lock Recommended cable: 18AWG (0.82mm ²)
Furniture	Compatible with Lockwood series door furniture
Standard Finishes	Satin Chrome (SC) standard, Bright Chrome (CP) and Polished Brass (PB)

Standards and Compliance

- S3** (Security) Australian Lock Standard (AS4145.2.1993) (when used with equivalent security level keying system)
- D3** (Durability) Australian Lock Standard (AS4145.2.1993)
- Successfully fire rated up to 4 hours on fire door assemblies in accordance with AS1905.1. 2005 (Part 1: Fire Resistant Doorsets)
-  C-Tick Certified

3570 Series Room Guard Electric Mortise Lock Controller

Function

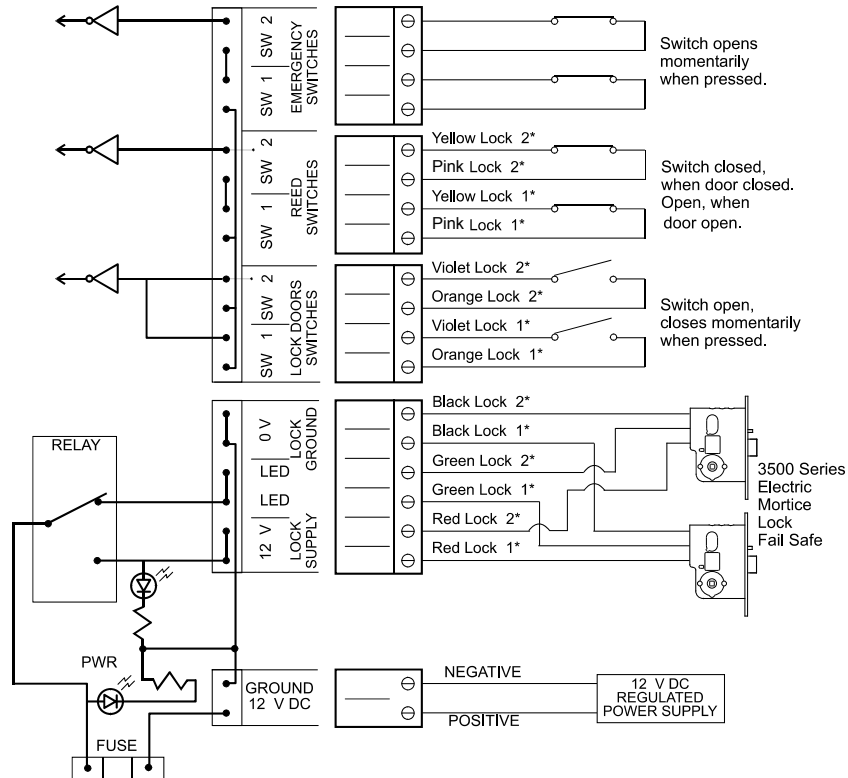
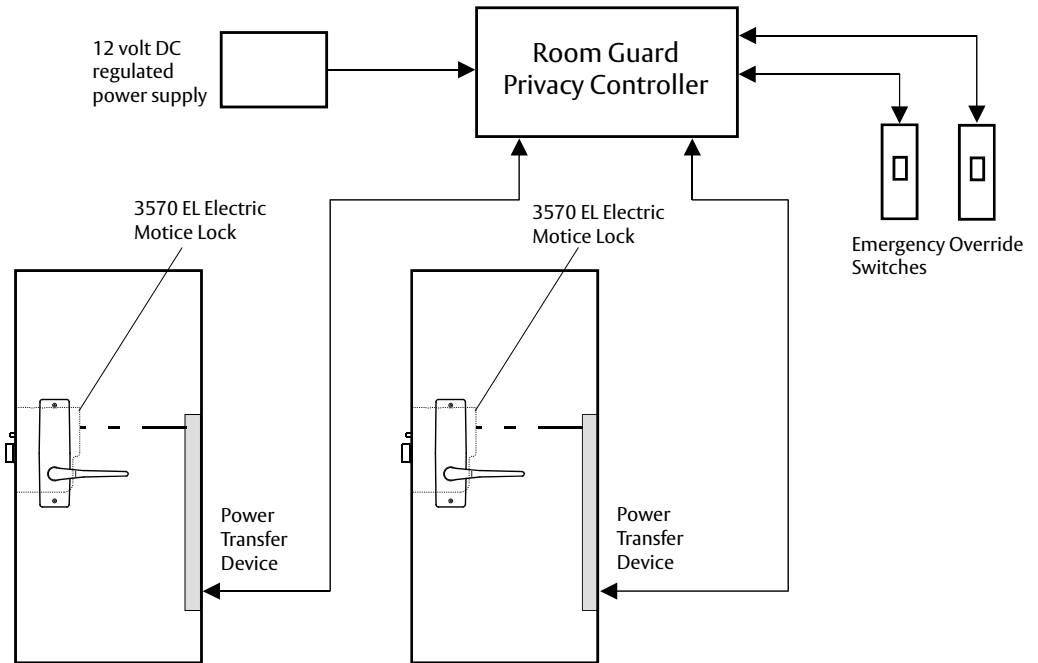
In the dormant state, all locks are unlocked and the LED on the external furniture plate indicates green.

To lock the lock

1. Close all doors
2. Activate one of the turn knobs located on the inside of the door
3. Simultaneously the lever handles on the outside of each door will lock and the LED furniture indication will change to red (inside lever will remain free at all times)

To unlock the room

1. Operate the inside lever of either lock
2. Simultaneously the locks will unlock and the LED furniture indication will return to green



Standard Two Door Connection

3570 Series Room Guard Electric Mortice Lock Controller

Ordering Information

Part Number	Product Description
RG2PS	Room Guard Privacy Controller plus regulated power supply (12Vdc, 1.5AMP)
RG2	Room Guard Privacy Controller
RG3SC	Turn knobs, designed for the integrated assembly with Lockwood Electric Mortice Locks <i>Other finishes available upon application</i>

A typical room with two doors requires the following equipment:

RG2PS or RG2	1 x Room Guard Privacy Controller
RG3SC	2 x Room Guard Privacy Controller turn knobs
3570ELM0SC	2 x Electric Mortice Locks
LC8810	2 x Power transfer devices
1822/70SC	2 x Exterior door furniture
1920/70SC	2 x Interior door furniture
SP3570-1055	2 x 7.5M extended cables

Note: Due to the variety of installation décor, Lockwood does not supply emergency release push buttons. However we recommend a Clipsal model 31 architrave mounting plate with model 30MBP push button, or equivalent, available from most electrical wholesalers.

Specification Statement

Locking control of the room must be via a standalone door controller independent of the building electronic access control system. The controller shall be capable of providing simultaneous locking/unlocking of up to 4 locks via internal integrated turn knobs. Emergency egress or unlocking to be achieved via single downward action of internal lever or externally mounted override switch. The locks should be capable of operation on voltages between 12 – 24Vdc. All lock settings including fail safe/fail secure, handing and hub selection must be field configured.

Accessories Ordering Information

Part Number	Product Description
SP3570-1055	7.5m extended 12 wire cable
SP3570-5861	9/12 wire adapter to suit 3570 Series Electric Lock

3580 Series Electric Mortice Lock



Description

Designed and manufactured in Australia, the 3580 Series Electric Mortice Lock is a high performance lock of superior quality. It is constructed from high grade zinc alloy, with a stainless steel latch bolt and face plate and is suited for all commercial applications.

The lock can be operated by push buttons, intercom systems and key switches or integrated with electronic access control systems for use with higher security devices such as keypads or card readers.

The 3580 Series is available in a wide variety of configurations to suit varying requirements and is especially suited to narrow style or short backset applications.

Product Details

Voltage	Available in 12Vdc - 24Vdc
Current	12Vdc \pm 5% 250mA (max) 24Vdc \pm 5% 125mA (max)
LED Current	When LEDs are fitted, add 15mA (max) to total current draw
Monitoring	Key override Deadlatched and door closed Request to exit Hub/deadlatch/key override monitor: max ratings 500mA @ 30Vdc Door status monitor: max ratings 3W, 250mA (max) @ 12Vdc, 125mA (max) @ 24Vdc
Environment	Operational temperature range -20°C to +60°C
Case/Cover	High purity zinc alloy construction
Backset	23mm standard, 25.4, 30 and 38 mm extended available
Latch bolts	15mm stainless steel construction
Door Clearance	3 - 6.5 mm
Door thickness	Standard applications 32 to 50mm Extension kits available
Cylinder	Standard Lockwood oval shaped cylinders
Cabling	3.6 metre length of cable with 9 pin socket supplied with each lock Recommended cabling: 18AWG (0.82mm ²) cable runs up to 30m
Furniture	Compatible with Lockwood series door furniture
Finishes	Satin Chrome (SC) standard, Bright Chrome (CP) and Polished Brass (PB)

Standards and Compliance

S2	(Security) Australian Lock Standard (AS4145.2.1993)
D3	(Durability) Australian Lock Standard (AS4145.2.1993)
	C-Tick Certified

Key Features

Available in non monitored and monitored versions.

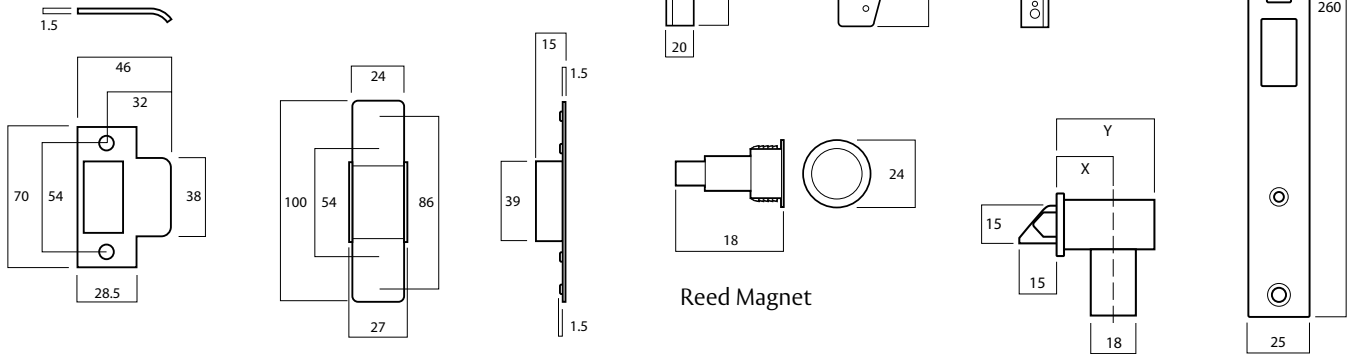
Monitoring features:

- Dead latched
- Door position/reed switch
- Key override
- Request to exit/REX

Available configurations:

- Fail safe or fail secure
- 12Vdc or 24Vdc
- Field changeable monitoring contacts – normally closed, normally open
- Field changeable handing – left hand and right hand doors
- Selection of free lever or locked lever on both sides of the door
- Key override monitoring
- LED indication

3580 Series Electric Mortice Lock



Limiting Dimensions

Dimensions Backset

	23	25.4	30	38
X				
Y	36.4	39	43.6	51.7

Specification Statement

The lock should be capable of operation on voltages of 12 or 24Vdc and have a current consumption not more than 250mA (max) @12Vdc and 125mA (max) @24Vdc. Monitored locks must be capable of monitoring the following functions: key override, door position/reed switch and independent hub/request to exit. All monitoring outputs must have the ability to be wired independently. The lock must be capable of operating fail safe or fail secure, left or right hand and have field configured hub selection.

3580 Series Electric Mortice Lock

Ordering Procedure

Sample part number 3582ELAM2RSC62 is made up of several sections.
Choose your product by selecting an option from each section.

Backset	Door Material	Lock Function	New Product	Safety Function	Sub Function	Handing	Finish
3	58	2	EL	A	M2	R	SC

Backset	
23 mm	3
25.4 mm	4
30 mm	5
38 mm	6

Door Material	
Metal	58
Timber	59

Lock Function	
Vestibule Lock	2
Combination Lock	4
Lever/Knob	
EL	

Safety Function	
Fail Safe (Power to lock)	A
Fail Secure (Power to unlock)	E

Sub Function	
Non-Monitored Lock (0 Cylinders)	N0
Non-Monitored Lock (1 Cylinder)	N1
Non-Monitored Lock (2 Cylinders)	N2
Monitored Lock (0 Cylinders)	M0
Monitored Lock (1 Cylinder)	M1
Monitored Lock (2 Cylinders)	M2
Monitored Lock including KOM (0 Cylinder)	M4
Monitored Lock including KOM (1 Cylinder)	M5
KOM (Key override monitoring)	

Handing	
Right Handed	R
Left Handed	L

Finish	
Bright Chrome	CP
Polished Brass	PB
Satin Chrome	SC

Options

Backset Nominate backset as required, e.g. 23mm	3
Door Material Nominate door material, e.g. Metal	358
Lock Function Select function, e.g. Vestibule Lock	3582
Electrical Variant Indicate that this is an Electric Lock	3582EL
Safety Function Select whether lock should be Fail Secure or Fail Safe, e.g. Fail Safe	3582ELA
Monitoring and Key Override Options Select monitoring and cylinders to be supplied, e.g. Monitored Lock with two cylinders	3582ELAM2
Handing Determine left or right handing, e.g. Right Handed	35782ELAM2R
Finish Specify appropriate finish, e.g. Satin Chrome	35782ELAM2RSC
Options Specify 24Vdc option when required	3582ELAM2RSC62

Accessories Ordering Information

Part Number	Product Description
3580-2902AC##	Anti-Clockwise Rebate Kit with finish code (SC, CP, PB) Replace ##
35802902CW##	Clockwise Rebate Kit Replace ## with finish code (SC, CP, PB)
SP572-3129	LED Assembly to suit 3570/3580
SP3580-1052	7.5m extended 9 wire cable

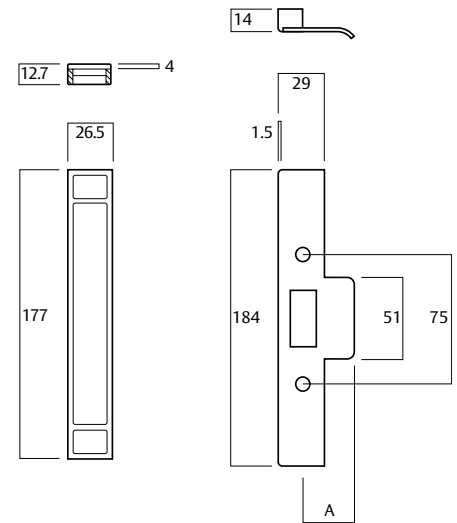
3580 Series Electric Mortice Lock

Accessories

Finish	Anti-clockwise	Clockwise
Satin Chrome	3580-2902ACWSC	3580-2902CWSC
Bright Chrome	3580-2902ACWCP	3580-2902CWCP
Polished Brass	3580-2902ACWPB	3580-2902CWPB

Description

Rebate kits to suit 13 mm rebated timber doors with a minimum backset of 30 mm include an adaptor to mount the lock and a special strike plate. Handing of the rebate kits is determined by the opening movement of the door on which the lock is fitted.

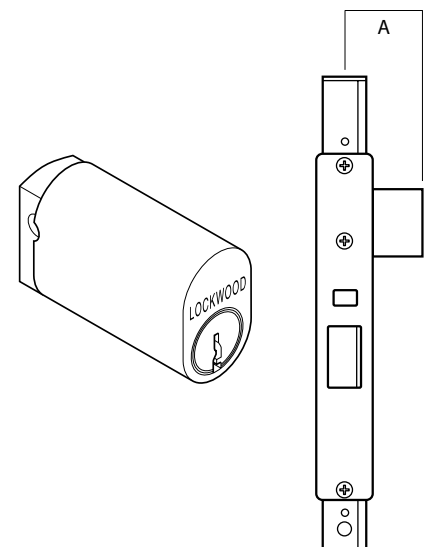


Extended Cylinders

"A" Cylinder Projection	Cylinder Length	Recommended Door Thickness
41	37	50 to 60
52	48	60 to 48
64	60	84 to 108
80	76	108 to 132
88	84	132 to 156

Description

Extended cylinders should be considered when door thickness exceeds 50 mm or when the lock is mounted off centre in the door edge. A range of cylinders is available to suit various door thicknesses. Refer to ASSA ABLOY Australia Keying and Restricted Price List for further information.

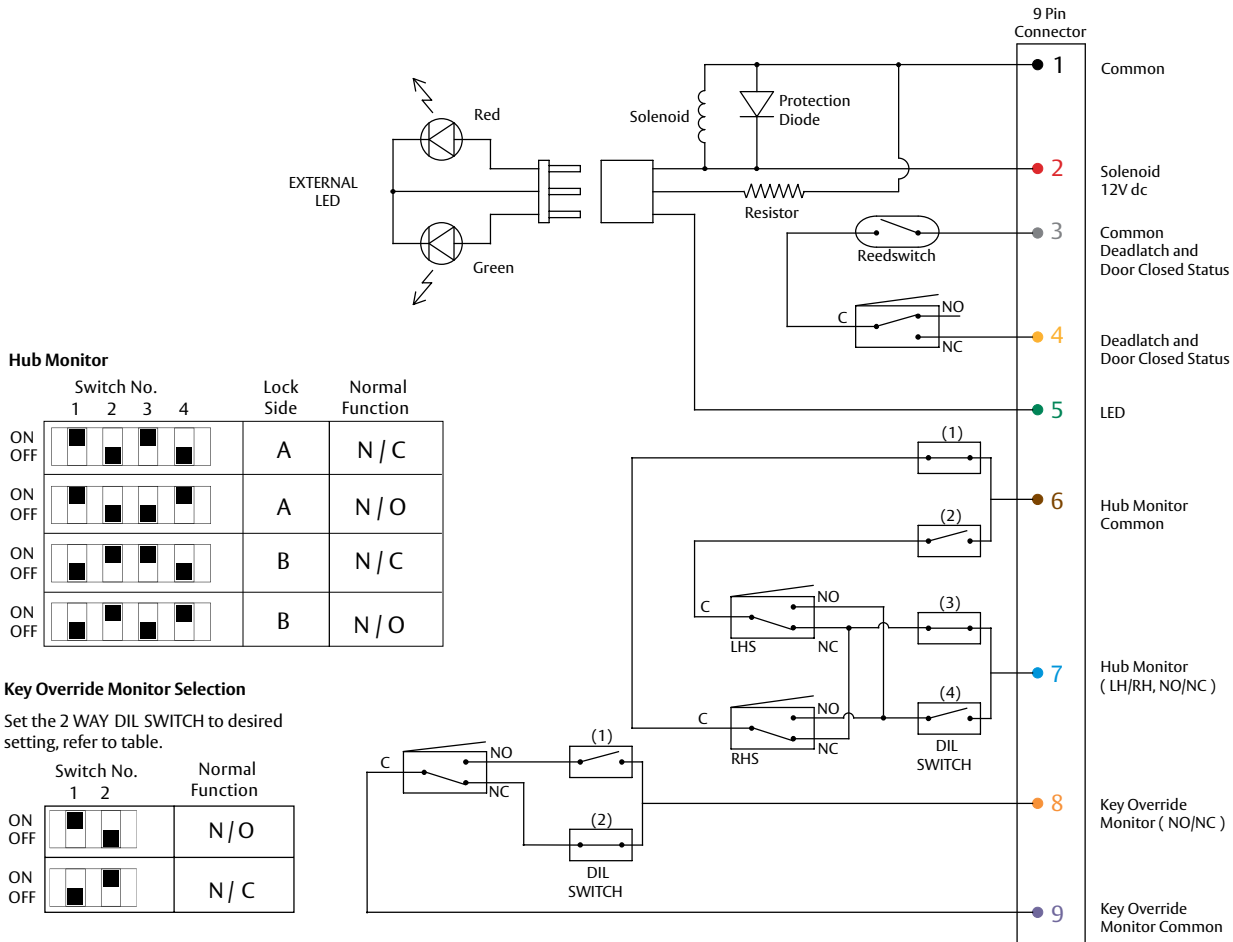


3580 Series Electric Mortice Lock

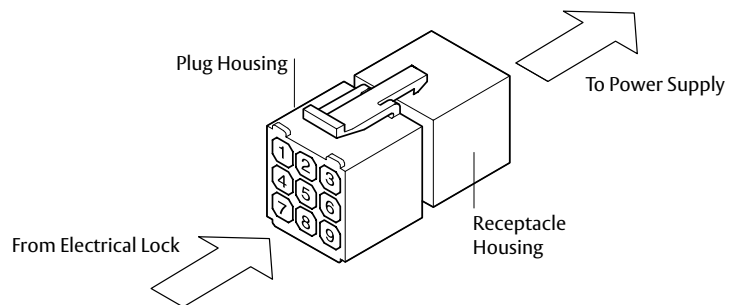
Electrical Specifications

Circuit Diagram

Note: Diagram depicts fail safe 12V RH opened door, with handle and key in rest state.



Pin	Colour	Function
1	Black	Common (0Vdc)
2	Red	Solenoid (12Vdc or 24Vdc)
3	Grey	Deadlatch and Door Closed Status (common)
4	Yellow	Deadlatch and Door Closed Status
5	Green	LED
6	Brown	Hub Monitor (common)
7	Blue	Hub Monitor (RH/LH, NO/NC)
8	Orange	Key Override Monitor (NO/NC)
9	Violet	Key Override Monitor (common)



Power Transfer Lead Covers



The LC8810 and LC8811 Power Transfer Lead Covers are designed to ensure unbroken transfer of wires between door and frame in electric locking situations.

Features

- Provides unbroken connection from controller to lock, for cable up to 8 mm diameter
- Vandal-resistant chrome plated flexible steel
- Completely concealed when the door is closed

Applications

LC8810

The LC8810 is a shorter unit suitable for hinged doors which open to 90° (maximum of 120°).

LC8811

The LC8811 is designed for use on doors which open more than 120°, or have a gap from pin hinge to door frame of more than 20 mm.

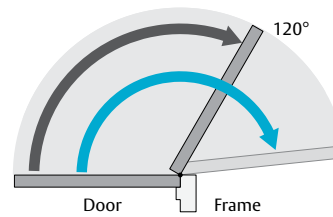
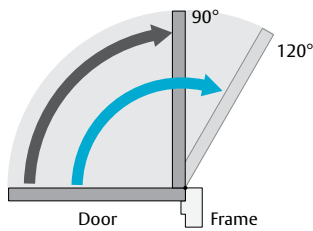
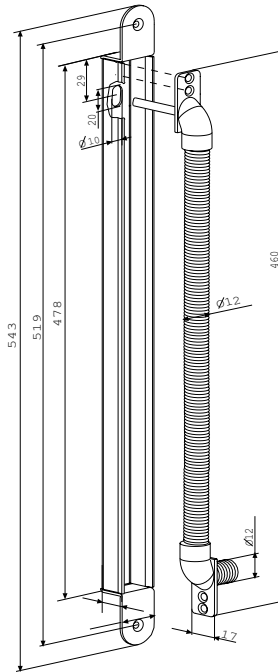
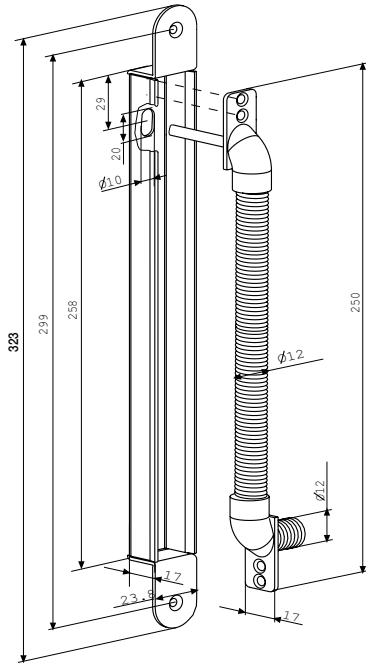
Note: Not suitable for centrally pivoted doors.

Standards and Compliance



Successfully fire rated up to 4 hours on fire door assemblies in accordance with AS1905.1.2005 (Part 1: Fire Resistant Doorsets)

Power Transfer Lead Covers



LC8810

Description

The LC8810 is a shorter unit suitable for hinged doors which open to 90° (maximum of 120°).

LC8811

Description

The LC8811 is designed for use on doors which open more than 120°, or have a gap from pin hinge to door frame of more than 20 mm.

Note: Not suitable for centrally pivoted doors.

Ordering Information

Part Number	Product Description
LC8810	323mm Power Transfer Cable
LC8811	543mm Power Transfer Cable



ASSA ABLOY

Lockwood is the leading brand in the Australian locking industry. With an established reputation for high quality products, this iconic brand provides a wide range of locking solutions to residential housing, commercial building and industrial application markets. Lockwood is supported by an extensive distribution and after-sales support network. Our customers include retailers, architects, trade and industrial personnel, locksmiths and security dealers.

ASSA ABLOY is the global leader in door opening solutions, dedicated to satisfying end-user needs for security, safety and convenience.

ASSA ABLOY is represented in all major regions, in both mature and emerging markets, with leading positions in Australia, Europe and North America.

25YEAR

**MECHANICAL
WARRANTY**

The Lockwood 25 Year Mechanical Warranty

Our belief that we manufacture the finest premium products available in today's market place is backed by the Lockwood 25 Year Mechanical Warranty, ensuring that Lockwood continues to keep Australians safe by delivering security and peace of mind.

For warranty terms and conditions, please visit www.lockweb.com.au or call **1300WARRANTY**

ASSA ABLOY Australia Pty Ltd
235 Huntingdale Road
Oakleigh, Victoria, 3166
Australia

1300 LOCK UP (1300 562 587)
lockweb.com.au

ASSA ABLOY New Zealand Ltd
6 Armstrong Road
Albany, Auckland, 0632
New Zealand

info.nz@assaabloy.com
Telephone +64 9415 7111
assaabloy.co.nz

