

DS-KV8X13-M

Video Intercom Villa Door Station UD16093B-B



ENGLISH

Diagram References

1 Appearance

- ① Microphone
- ② Indicator
- ③ Camera
- ④ Loudspeaker
- ⑤ Button
- ⑥ Card Reader Area
- ⑦ IR Light
- ⑧ Micro SD Card Slot & Debugging Port
- ⑨ LAN
- ⑩ Terminals

Note: Debugging port is used for debugging only.

Indicator Description

Unlock: Green Call: Orange Communicate: White

2 Terminal and Wiring

NC: Door Lock Relay Output (NC) NO: Door Lock Relay Output (NO) COM: Common Interface

AIN1: For the access of Door Contact AIN3: For the access of Exit Button

AIN2 & AIN4: Reserved

485-: RS-485 Interface (Reserved) 485+: RS-485 Interface (Reserved)

12 VDC IN: Power Supply Input GND: Grounding

LAN: Network Interface

3 Installation Accessory

- ① Mounting Template
- ② Mounting Plate

Note: The dimension of the mounting plate is 174mm x 83.66mm x 18mm.

4 Installation

Note: Video intercom villa door station supports flush mounting and surface mounting.

Before you begin:

- Make sure all related equipments are power-off during the installation.
- Tools that you need to prepare for installation: Drill (ø2.846) and gradienter.
- Purchase the protective shield before installation.

★ Surface Mounting without Protective Shield

1. Stick the mounting template on the wall. Drill screw holes according to the mounting template. Remove the template from the wall.
2. Secure the mounting plate on the wall with 4 supplied screws according to the screw holes.
3. Secure the device on the mounting plate with 4 supplied set screws.
4. Fix the cover onto the device with the screw.

★ Surface Mounting with Protective Shield

1. Stick the mounting template on the wall. Drill screw holes according to the mounting template. Remove the template from the wall.
2. Align the protective shield with mounting template.
3. Secure the mounting plate on the wall with 4 supplied screws according to the screw holes.
4. Secure the device on the mounting plate with 4 supplied set screws.
5. Fix the cover onto the device with the screw.

★ Flush Mounting without Protective Shield

1. Stick the mounting template on the wall. Drill the hole according to the mounting template. Remove the template from the wall.
- Note: The suggested size of hole is 175mm x 84mm x 19mm.
2. Install the gang box into the hole with 4 screws.
3. Insert the device to the gang box. Secure the device with 4 supplied screws.
4. Fix the cover onto the device with the screw.

★ Flush Mounting with Protective Shield

1. Stick the mounting template on the wall. Drill the hole according to the mounting template. Remove the template from the wall.
- Note: The suggested size of hole is 175mm x 84mm x 19mm.
2. Install the gang box into the hole with 4 screws.
3. Align the protective shield with gang box.
4. Insert the device to the gang box. Secure the device with 4 supplied screws.
5. Fix the cover onto the device with the screw.

5 Configuration via Web

1 Activate Device via Web

You are required to activate the device first by setting a strong password for it before you can use the device.

Default parameters of door station are as follows:

- Default IP Address: 192.0.0.65.
- Default Port No.: 8000.
- Default User Name: admin.

1. Power on the device, and connect the device to the network.
2. Enter the IP address into the address bar of the web browser, and click Enter to enter the activation page.

Note: The computer and the device should belong to the same subnet.

3. Create and enter a password into the password field.
4. Confirm the password.
5. Click OK to activate the device.

Note: When the device is not activated, the basic operation and remote configuration of device cannot be performed.

2 Access to the Device by Web Browsers

1. In the browser address bar, enter the IP address of the device, and press the Enter key to enter the login page.
2. Enter the user name and password and click Login.

3 Communicate with Indoor Station

Note: Configure the room No. of the indoor station which is linked to the villa door station. Refer to Video Intercom Indoor Station User Manual for details.

1. Click Settings → Intercom → Press Button to Call to enter the settings page.
2. Set the parameters.
 - Edit call No. for every button.
 - Check Call Management Center to set the button calling center.

Note: If you check Call Management Center and set the call No. as well, call management center has higher privilege than call No.

3. Press button to call indoor station.

4 Issue Card

1. Click Settings → Access Control and Elevator Control to enter the corresponding settings page.
2. Click Issue Card. Present the card on the card reading area.
3. When issuing finished, the windows pop up on the settings page.

• Only Mifare card supported, and Mifare card with non-standard shape is recommended.

• Up to 10000 cards can be issued and managed by V series door station. A voice prompt (No more cards can be issued.) can be heard when the issued card amount exceeds the upper limit.

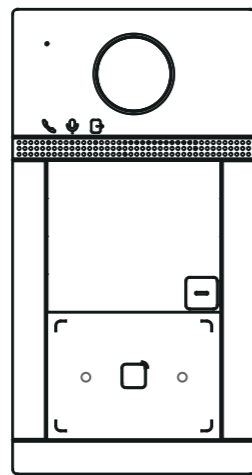
5 Unlock Door

After issuing cards, you can unlock the door by presenting the issued card.

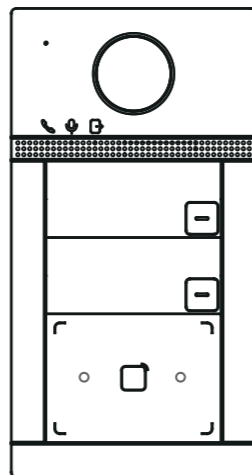
★ Refer to Video Intercom Villa Door Station User Manual (scan the QR code) for details.

1

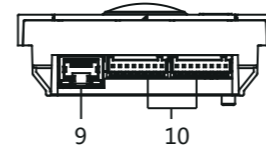
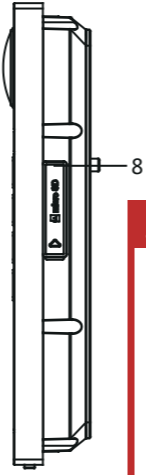
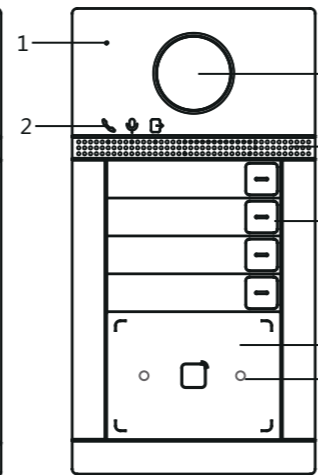
Single-Button



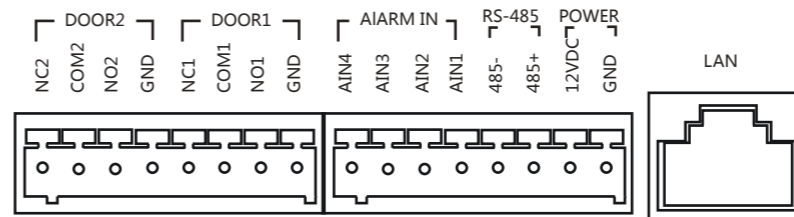
Two-Button



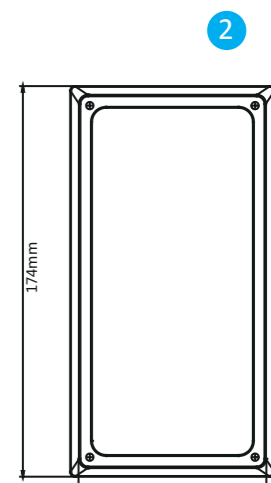
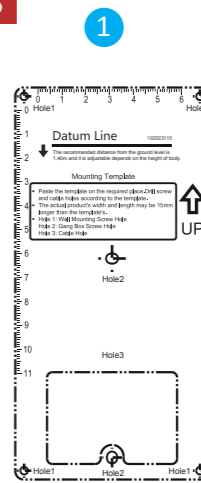
Four-Button



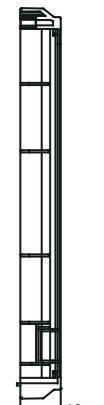
2



3

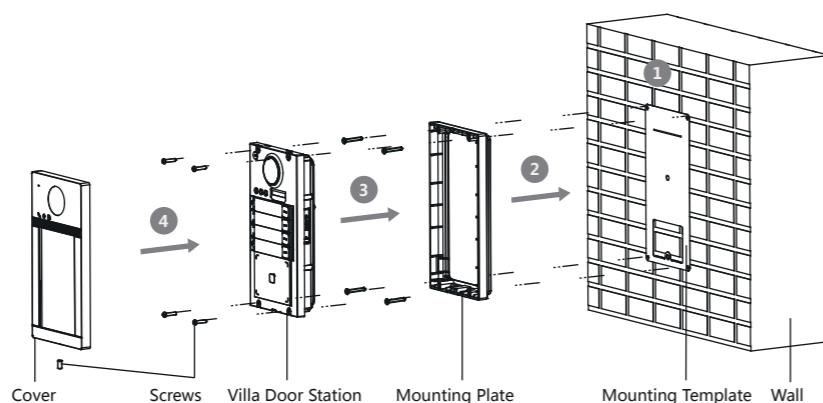


2

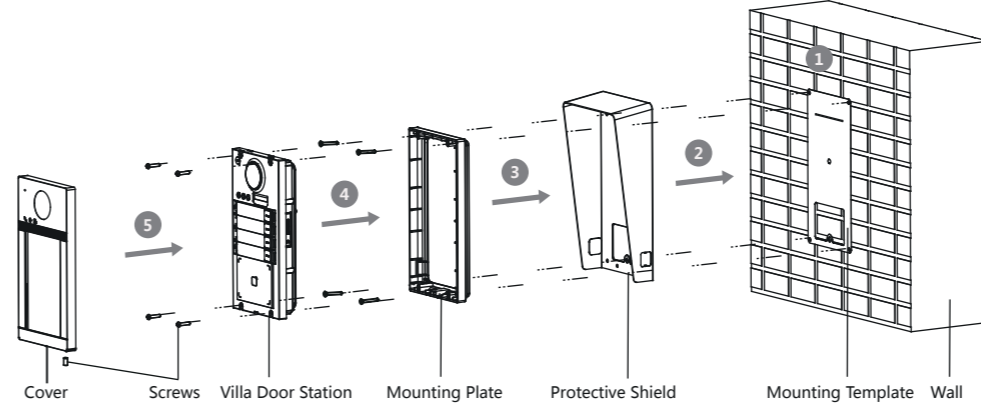


4

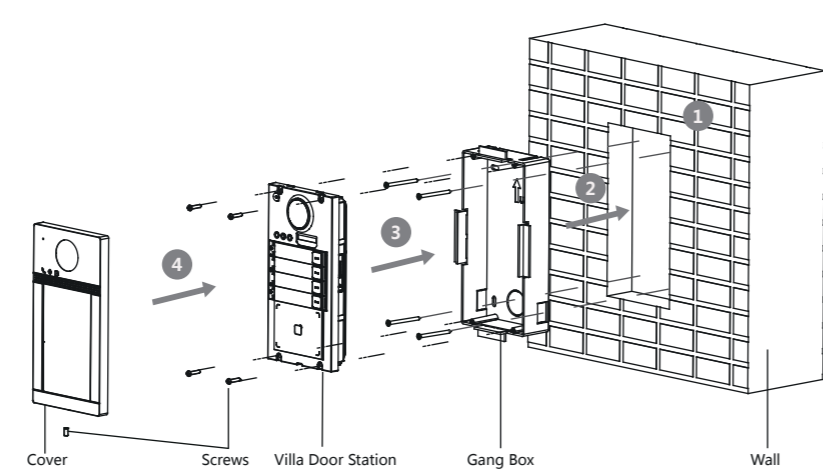
★ Surface Mounting without Protective Shield



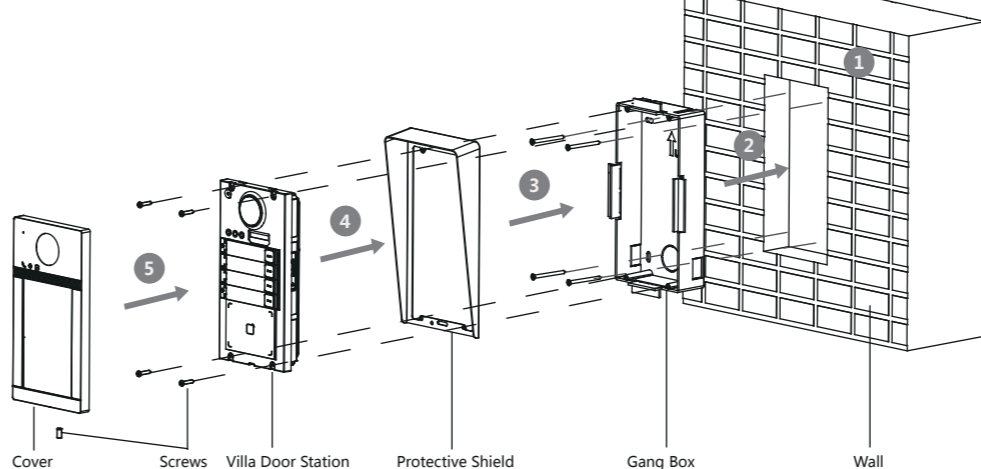
★ Surface Mounting with Protective Shield



★ Flush Mounting without Protective Shield



★ Flush Mounting with Protective Shield



Product Information

©2019 Hangzhou Hikvision Digital Technology Co., Ltd. It includes instructions on how to use the Product. The software embodied in the Product is governed by the user license agreement covering that Product.

This Manual is subject to domestic and international copyright protection. Hangzhou Hikvision Digital Technology Co., Ltd. ("Hikvision") reserves all rights to this manual. This manual cannot be reproduced, changed, translated, or distributed, partially or wholly, by any means, without the prior written permission of Hikvision.

Legal Disclaimer
Hikvision and other Hikvision marks are the property of Hikvision and are registered trademarks or the subject of applications for the same by Hikvision and/or its affiliates. Other trademarks mentioned in this manual are the properties of their respective owners. No right of license is given to use such trademarks without express permission.

TO THE MAXIMUM EXTENT PERMITTED BY APPLICABLE LAW, THE PRODUCT DESCRIBED, WITH ITS HARDWARE, SOFTWARE AND FIRMWARE, IS PROVIDED "AS IS", WITH ALL FAULTS AND ERRORS, AND HIKVISION MAKES NO WARRANTIES, EXPRESS OR IMPLIED, INCLUDING WITHOUT LIMITATION, MERCHANTABILITY, SATISFACTORY QUALITY, FITNESS FOR A PARTICULAR PURPOSE, AND NON-INFRINGEMENT OF THIRD PARTY. IN NO EVENT WILL HIKVISION, ITS DIRECTORS, OFFICERS, EMPLOYEES, OR AGENTS BE LIABLE TO YOU FOR ANY SPECIAL, CONSEQUENTIAL, INCIDENTAL, OR INDIRECT DAMAGES, INCLUDING, AMONG OTHERS, DAMAGES FOR LOSS OF BUSINESS PROFITS, BUSINESS INTERRUPTION, OR LOSS OF DATA OR DOCUMENTATION, IN CONNECTION WITH THE USE OF THIS PRODUCT, EVEN IF HIKVISION HAS BEEN ADVISED OF THE POSSIBILITY OF SUCH DAMAGES.

REGARDING TO THE PRODUCT WITH INTERNET ACCESS, THE USE OF PRODUCT SHALL BE WHOLLY AT YOUR OWN RISKS. HIKVISION SHALL NOT TAKE ANY RESPONSIBILITIES FOR ABNORMAL OPERATION, PRIVACY LEAKAGE OR OTHER DAMAGES RESULTING FROM CYBER ATTACK, HACKER ATTACK, VIRUS INSPECTION, OR OTHER INTERNET SECURITY RISKS; HOWEVER, HIKVISION WILL PROVIDE TIMELY TECHNICAL SUPPORT IF REQUIRED. SURVEILLANCE LAWS VARY BY JURISDICTION. PLEASE CHECK ALL RELEVANT LAWS IN YOUR JURISDICTION BEFORE USING THIS PRODUCT IN ORDER TO ENSURE THAT YOUR USE CONFORMS THE APPLICABLE LAW. HIKVISION SHALL NOT BE LIABLE IN THE EVENT THAT THIS PRODUCT IS USED WITH ILLEGITIMATE PURPOSES. IN THE EVENT OF ANY CONFLICTS BETWEEN THIS MANUAL AND THE APPLICABLE LAW, THE LATER PREVAILS.

Data Protection
During the use of device, personal data will be collected, stored and processed. To protect data, the development of hikvision devices incorporates privacy by design principles. For example, for device with facial recognition features, biometrics data is stored in your device with encryption method; for fingerprint device, only fingerprint template will be saved, which is impossible to reconstruct a fingerprint image. As data controller, you are advised to collect, store, process and transfer data in accordance with the applicable data protection laws and regulations, including without limitation, conducting security controls to safeguard personal data, such as, implementing reasonable administrative and physical security controls, conduct periodic reviews and assessments of the effectiveness of your security controls.

FCC Information

Please take attention that changes or modification not expressly approved by the party responsible for compliance could void the user's authority to operate the equipment.
FCC compliance: This equipment has been tested and found to comply with the limits for a Class B digital device, pursuant to part 15 of the FCC Rules. These limits are designed to provide reasonable protection against harmful interference in a residential installation. This equipment generates, uses and can radiate radio frequency energy and, if not installed and used in accordance with the instructions, may cause harmful interference to radio communications. However, there is no guarantee that interference will not occur in a particular installation. If this equipment does cause harmful interference to radio or television reception, which can be determined by turning the equipment off and on, the user is encouraged to try to correct the interference by one or more of the following measures:
—Reorient or relocate the receiving antenna.
—Increase the separation between the equipment and receiver.
—Connect the equipment into an outlet on a circuit different from that to which the receiver is connected.
—Consult the dealer or an experienced radio/TV technician for help.
This equipment should be installed and operated with a minimum distance 20cm between the radiator and your body.

FCC Conditions
This device complies with part 15 of the FCC Rules. Operation is subject to the following two conditions:
1. This device may not cause harmful interference.
2. This device must accept any interference received, including interference that may cause undesired operation.

EU Conformity Statement
This product and - if applicable - the supplied accessories too are marked with "CE" and comply therefore with the applicable harmonized European standards listed under the RE Directive 2014/53/EU, the EMC Directive 2014/30/EU, the RoHS Directive 2011/65/EU.

2006/66/EC (battery directive): This product contains a battery that cannot be disposed of as unsorted municipal waste in the European Union. See the product documentation for specific battery information. The battery is marked with this symbol, which may include lettering to indicate cadmium (Cd), lead (Pb), or mercury (Hg). For proper recycling, return the battery to your supplier or to a designated collection point. For more information see: www.recyclethis.info

2012/19/EU (WEEE directive): Products marked with this symbol cannot be disposed of as unsorted municipal waste in the European Union. For proper recycling, return this product to your local supplier upon the purchase of equivalent new equipment, or dispose of it at designated collection points. For more information see: www.recyclethis.info

IC statement
This device complies with Industry Canada licence-exempt RSS standard(s). Operation is subject to the following two conditions:
(1) This device may not cause interference, and
(2) This device must accept any interference, including interference that may cause undesired operation of the device.
Le présent appareil est conforme aux CNR d'Industrie Canada applicables aux appareils radio exempts de licence. L'exploitation est autorisée aux deux conditions suivantes:
(1) L'appareil ne doit pas produire de brouillage, et
(2) l'utilisateur de l'appareil doit accepter tout brouillage radioélectrique subi, même si le brouillage est susceptible d'en compromettre le fonctionnement.
Under Industry Canada regulations, this radio transmitter may only operate using an antenna of a type and maximum (or lesser) gain approved for the transmitter by Industry Canada. To reduce potential radio interference to other users, the antenna type and its gain should be so chosen that the equivalent isotropically radiated power (e.i.r.p.) is not more than that necessary for successful communication.

Conformément à la réglementation d'Industrie Canada, le présent émetteur radio peut fonctionner avec une antenne d'un type et d'un gain maximal (ou inférieur) approuvé pour l'émetteur par Industrie Canada. Dans le but de réduire les risques de brouillage radioélectrique à l'intention des autres utilisateurs, il faut choisir le type d'antenne et son gain de sorte que la puissance isotrope rayonnée équivalente (p.i.r.e.) ne dépasse pas l'intensité nécessaire à l'établissement d'une communication satisfaisante.

This equipment complies with IC RSS-102 radiation exposure limits set forth for an uncontrolled environment. This equipment should be installed and operated with minimum distance 20cm between the radiator & your body.

ce matériel est conforme aux limites de dose d'exposition aux rayonnements, CNR-102 énoncée dans un autre environnement, cette éqipment devrait être installé et exploité avec distance minimale de 20 entre le radiateur et votre corps.

