

The HIKVISION logo is presented on a red horizontal bar with a white diagonal stripe on the left side. The text "HIKVISION" is written in a white, bold, italicized sans-serif font.

***HIKVISION***

# **Video Intercom Villa Door Station**

**User Manual**

# Legal Information

## User Manual

©2019 Hangzhou Hikvision Digital Technology Co., Ltd. All rights reserved.

## About this Manual

The Manual includes instructions for using and managing the Product. Pictures, charts, images and all other information hereinafter are for description and explanation only. The information contained in the Manual is subject to change, without notice, due to firmware updates or other reasons. Please find the latest version of this Manual at the Hikvision website ( <http://overseas.hikvision.com/en/> ).

Please use this Manual with the guidance and assistance of professionals trained in supporting the Product.

## Trademarks

**HIKVISION** and other Hikvision's trademarks and logos are the properties of Hikvision in various jurisdictions.

Other trademarks and logos mentioned are the properties of their respective owners.

## Disclaimer

TO THE MAXIMUM EXTENT PERMITTED BY APPLICABLE LAW, THIS MANUAL AND THE PRODUCT DESCRIBED, WITH ITS HARDWARE, SOFTWARE AND FIRMWARE, ARE PROVIDED "AS IS" AND "WITH ALL FAULTS AND ERRORS". HIKVISION MAKES NO WARRANTIES, EXPRESS OR IMPLIED, INCLUDING WITHOUT LIMITATION, MERCHANTABILITY, SATISFACTORY QUALITY, OR FITNESS FOR A PARTICULAR PURPOSE. THE USE OF THE PRODUCT BY YOU IS AT YOUR OWN RISK. IN NO EVENT WILL HIKVISION BE LIABLE TO YOU FOR ANY SPECIAL, CONSEQUENTIAL, INCIDENTAL, OR INDIRECT DAMAGES, INCLUDING, AMONG OTHERS, DAMAGES FOR LOSS OF BUSINESS PROFITS, BUSINESS INTERRUPTION, OR LOSS OF DATA, CORRUPTION OF SYSTEMS, OR

LOSS OF DOCUMENTATION, WHETHER BASED ON BREACH OF CONTRACT, TORT (INCLUDING NEGLIGENCE), PRODUCT LIABILITY, OR OTHERWISE, IN CONNECTION WITH THE USE OF THE PRODUCT, EVEN IF HIKVISION HAS BEEN ADVISED OF THE POSSIBILITY OF SUCH DAMAGES OR LOSS.




YOU ACKNOWLEDGE THAT THE NATURE OF INTERNET PROVIDES FOR INHERENT SECURITY RISKS, AND HIKVISION SHALL NOT TAKE ANY RESPONSIBILITIES FOR ABNORMAL OPERATION, PRIVACY LEAKAGE OR OTHER DAMAGES RESULTING FROM CYBER-ATTACK, HACKER ATTACK, VIRUS INSPECTION, OR OTHER INTERNET SECURITY RISKS; HOWEVER, HIKVISION WILL PROVIDE TIMELY TECHNICAL SUPPORT IF REQUIRED.

YOU AGREE TO USE THIS PRODUCT IN COMPLIANCE WITH ALL APPLICABLE LAWS, AND YOU ARE SOLELY RESPONSIBLE FOR ENSURING THAT YOUR USE CONFORMS TO THE APPLICABLE LAW. ESPECIALLY, YOU ARE RESPONSIBLE, FOR USING THIS PRODUCT IN A MANNER THAT DOES NOT INFRINGE ON THE RIGHTS OF THIRD PARTIES, INCLUDING WITHOUT LIMITATION, RIGHTS OF PUBLICITY, INTELLECTUAL PROPERTY RIGHTS, OR DATA PROTECTION AND OTHER PRIVACY RIGHTS. YOU SHALL NOT USE THIS PRODUCT FOR ANY PROHIBITED END-USES, INCLUDING THE DEVELOPMENT OR PRODUCTION OF WEAPONS OF MASS DESTRUCTION, THE DEVELOPMENT OR PRODUCTION OF CHEMICAL OR BIOLOGICAL WEAPONS, ANY ACTIVITIES IN THE CONTEXT RELATED TO ANY NUCLEAR EXPLOSIVE OR UNSAFE NUCLEAR FUEL-CYCLE, OR IN SUPPORT OF HUMAN RIGHTS ABUSES.

IN THE EVENT OF ANY CONFLICTS BETWEEN THIS MANUAL AND THE APPLICABLE LAW, THE LATER PREVAILS.

# Symbol Conventions

The symbols that may be found in this document are defined as follows.

Symbol	Description
 <b>Danger</b>	Indicates a hazardous situation which, if not avoided, will or could result in death or serious injury.
 <b>Caution</b>	Indicates a potentially hazardous situation which, if not avoided, could result in equipment damage, data loss, performance degradation, or unexpected results.
 <b>Note</b>	Provides additional information to emphasize or supplement important points of the main text.

# Safety Instruction

## Warning

- The working temperature of the device is from -10 °C to 55 °C.
- All the electronic operation should be strictly compliance with the electrical safety regulations, fire prevention regulations and other related regulations in your local region.
- Please use the power adapter, which is provided by normal company. The power consumption cannot be less than the required value.
- Do not connect several devices to one power adapter as adapter overload may cause over-heat or fire hazard.
- Please make sure that the power has been disconnected before you wire, install or dismantle the device.
- When the product is installed on wall or ceiling, the device shall be firmly fixed.
- If smoke, odors or noise rise from the device, turn off the power at once and unplug the power cable, and then please contact the service center.
- If the product does not work properly, please contact your dealer or the nearest service center. Never attempt to disassemble the device yourself. (We shall not assume any responsibility for problems caused by unauthorized repair or maintenance.)

## Caution

- Do not drop the device or subject it to physical shock, and do not expose it to high electromagnetism radiation. Avoid the equipment installation on vibrations surface or places subject to shock (ignorance can cause equipment damage).
- Do not place the device in extremely hot (refer to the specification of the device for the detailed operating temperature), cold, dusty or damp locations, and do not expose it to high electromagnetic radiation.
- The device cover for indoor use shall be kept from rain and moisture.
- Exposing the equipment to direct sun light, low ventilation or heat source such as heater or radiator is forbidden (ignorance can cause fire danger).
- Do not aim the device at the sun or extra bright places. A blooming or smear may occur otherwise (which is not a malfunction however), and affecting the endurance of sensor at the same time.

- Please use the provided glove when open up the device cover, avoid direct contact with the device cover, because the acidic sweat of the fingers may erode the surface coating of the device cover.
- Please use a soft and dry cloth when clean inside and outside surfaces of the device cover, do not use alkaline detergents.
- Please keep all wrappers after unpack them for future use. In case of any failure occurred, you need to return the device to the factory with the original wrapper. Transportation without the original wrapper may result in damage on the device and lead to additional costs.
- Improper use or replacement of the battery may result in hazard of explosion. Replace with the same or equivalent type only. Dispose of used batteries according to the instructions provided by the battery manufacturer.
- Input voltage should meet both the SELV and the Limited Power Source according to 60950-1 standard.
- The power supply must conform to LPS. The recommended adaptor models and manufacturers are shown as below. Use the attached adapter, and do not change the adaptor randomly.

<b>Model</b>	<b>Manufacturer</b>	<b>Standard</b>
ADS-24S-12 1224GPCN	SHENZHEN HONOR ELECTRONIC CO.,LTD	CEE
G0549-240-050	SHENZHEN GOSPELL DIGITAL TECHNOLOGY CO.,LTD	CEE
TS-A018-120015Ec	SHENZHEN TRANSIN TECHNOLOGIES CO., LTD	CEE

# Regulatory Information

## FCC Information

Please take attention that changes or modification not expressly approved by the party responsible for compliance could void the user's authority to operate the equipment.

FCC compliance: This equipment has been tested and found to comply with the limits for a Class B digital device, pursuant to part 15 of the FCC Rules. These limits are designed to provide reasonable protection against harmful interference in a residential installation. This equipment generates, uses and can radiate radio frequency energy and, if not installed and used in accordance with the instructions, may cause harmful interference to radio communications. However, there is no guarantee that interference will not occur in a particular installation. If this equipment does cause harmful interference to radio or television reception, which can be determined by turning the equipment off and on, the user is encouraged to try to correct the interference by one or more of the following measures:

- Reorient or relocate the receiving antenna.
- Increase the separation between the equipment and receiver.
- Connect the equipment into an outlet on a circuit different from that to which the receiver is connected.
- Consult the dealer or an experienced radio/TV technician for help

## FCC Conditions

This device complies with part 15 of the FCC Rules. Operation is subject to the following two conditions:

1. This device may not cause harmful interference.
2. This device must accept any interference received, including interference that may cause undesired operation.

### EU Conformity Statement



This product and - if applicable - the supplied accessories too are marked with "CE" and comply therefore with the applicable harmonized European standards listed under the EMC Directive 2014/30/EU, the RoHS Directive 2011/65/EU



2012/19/EU (WEEE directive): Products marked with this symbol cannot be disposed of as unsorted municipal waste in the European Union. For proper recycling, return this product to your local supplier upon the purchase of equivalent new equipment, or dispose of it at designated collection points. For more information see: [www.recyclethis.info](http://www.recyclethis.info)



2006/66/EC (battery directive): This product contains a battery that cannot be disposed of as unsorted municipal waste in the European Union. See the product documentation for specific battery information. The battery is marked with this symbol, which may include lettering to indicate cadmium (Cd), lead (Pb), or mercury (Hg). For proper recycling, return the battery to your supplier or to a designated collection point. For more information see: [www.recyclethis.info](http://www.recyclethis.info)

### Industry Canada ICES-003 Compliance

This device meets the CAN ICES-3 (B)/NMB-3(B) standards requirements.



# Contents

1 Appearance .....	1
2 Terminal and Wiring Description .....	7
2.1 Terminal Description .....	7
2.2 Wiring Description .....	8
2.2.1 Door Lock Wiring .....	8
2.2.2 Door Contact Wiring .....	8
2.2.3 Exit Button Wiring .....	9
2.2.4 Alarm Input Device Wiring .....	9
3 Installation .....	11
3.1 Accessory Introduction .....	11
3.2 Surface Mounting with Protective Shield .....	11
3.3 Surface Mounting without Protective Shield .....	13
3.4 Flush Mounting with Protective Shield .....	15
3.5 Flush Mounting without Protective Shield .....	17
4 Activation .....	20
4.1 Activate Device via Web .....	20
4.2 Activate Device via Client Software .....	20
4.3 Edit Network Parameters .....	21
5 Remote Configuration via Web .....	22
5.1 Live View .....	22
5.2 Organization Structure Settings .....	22
5.3 Parameters Settings .....	23

5.3.1 Local Parameters Settings .....	23
5.3.2 System Settings .....	25
5.3.3 Network Settings .....	28
5.3.4 Video & Audio Settings .....	32
5.3.5 Image Settings .....	34
5.3.6 Event Settings .....	36
5.3.7 Intercom Settings .....	38
<b>6 Configuration via Client Software .....</b>	<b>43</b>
6.1 Device Management .....	43
6.1.1 Add Online Device .....	43
6.1.2 Add Device by IP Address .....	44
6.1.3 Add Device by IP Segment .....	44
6.2 Live View via Door Station .....	45
6.3 Organization Management .....	45
6.3.1 Add Organization .....	45
6.3.2 Modify and Delete Organization .....	46
6.4 Person Management .....	46
6.4.1 Add Person .....	46
6.4.2 Modify and Delete Person .....	48
6.4.3 Change Person to Other Organization .....	48
6.4.4 Import and Export Person Information .....	48
6.4.5 Get Person Information from Device .....	49
6.4.6 Issue Card in Batch .....	49
6.4.7 Permission Settings .....	51

6.5 Video Intercom Settings .....	52
6.5.1 Receive Call from Door Station .....	52
6.5.2 Search Call Logs .....	53
6.5.3 Upload Armed Information .....	54
A. Communication Matrix and Device Command .....	55

# 1 Appearance

## Single-Button Villa Door Station

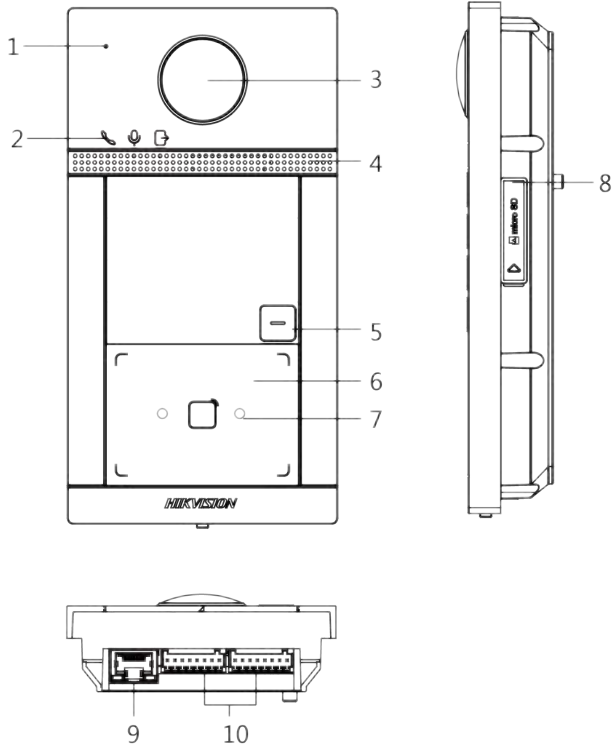


Figure 1-1 Single-Button Villa Door Station Appearance

Table 1-1 Description

No.	Description
1	Microphone
2	Indicator

## Video Intercom Villa Door Station User Manual

---

<b>No.</b>	<b>Description</b>
	Unlock (Green)/ Call (Orange)/ Communicate (White)
3	Camera
4	Loudspeaker
5	Button
6	Card Reading Area
7	IR Light
8	Micro SD Card Slot & Debugging Port
9	LAN
10	Terminals

### Two-Button Villa Door Station

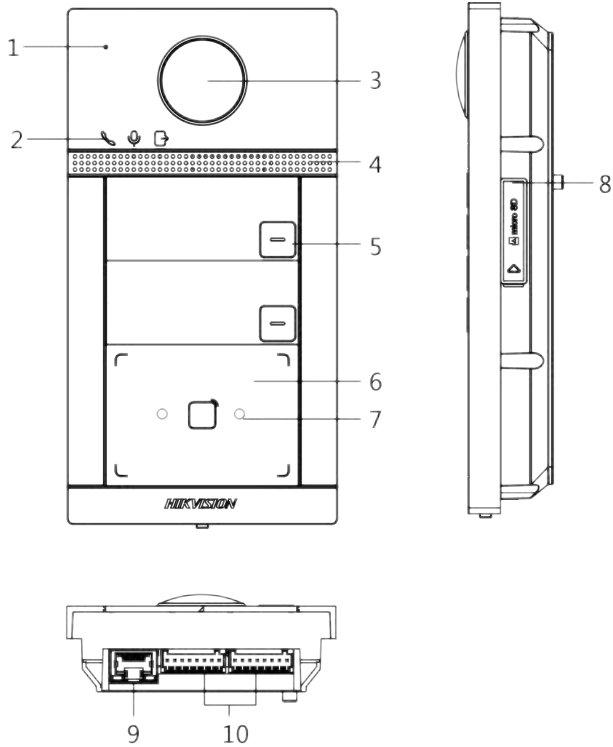


Figure 1-2 Two-Button Villa Door Station Appearance

Table 1-2 Description

No.	Description
1	Microphone
2	Indicator Unlock (Green)/ Call (Orange)/ Communicate (White)
3	Camera

## Video Intercom Villa Door Station User Manual

---

<b>No.</b>	<b>Description</b>
4	Loudspeaker
5	Button
6	Card Reading Area
7	IR Light
8	Micro SD Card Slot & Debugging Port
9	LAN
10	Terminals

### Four-Button Villa Door Station

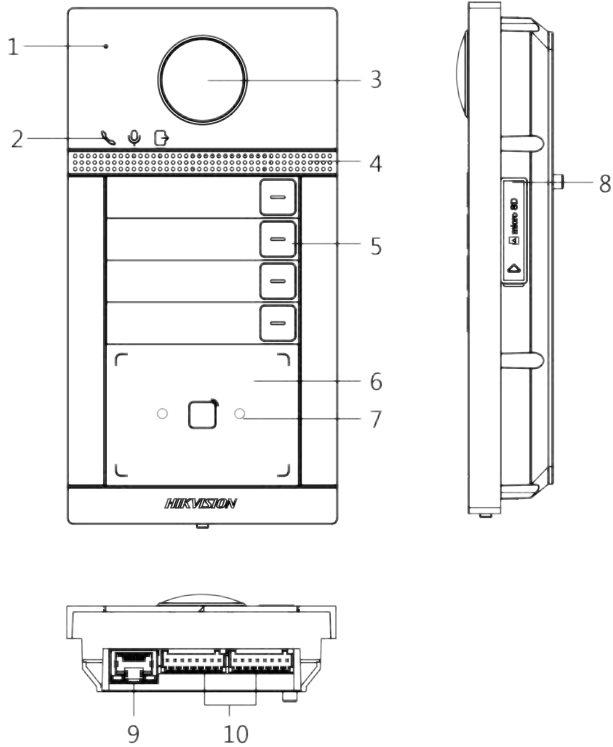


Figure 1-3 Four-Button Villa Door Station Appearance

Table 1-3 Description

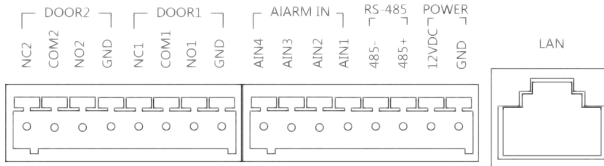
No.	Description
1	Microphone
2	Indicator Unlock (Green)/ Call (Orange)/ Communicate (White)
3	Camera



<b>No.</b>	<b>Description</b>
4	Loudspeaker
5	Button
6	Card Reading Area
7	IR Light
8	Micro SD Card Slot & Debugging Port
9	LAN
10	Terminals

# 2 Terminal and Wiring Description

## 2.1 Terminal Description



**Figure 2-1 Terminal Description**

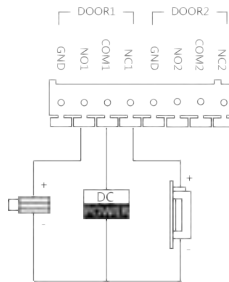
**Table 2-1 Description of Terminal and Interfaces**

Name	Interface	Description
DOOR	NC2	Door Lock Relay Output 2 (NC)
	COM2	Common Interface
	NO2	Door Lock Relay Output 2 (NO)
	GND	Grounding
	NC1	Door Lock Relay Output 1 (NO)
	COM1	Common Interface
	NO1	Door Lock Relay Output 1 (NO)
	GND	Grounding
ALARM IN	AI1	Alarm Input 1 (For the access of Door Contact)
	AI2	Alarm Input 2 (Reserved)
	AI3	Alarm Input 3 (For the access of Exit Button)
	AI4	Alarm Input 4 (Reserved)
RS-485	485+	RS-485 Communication Interface

Name	Interface	Description
	485-	
Power Input	12 VDC	12 VDC Input
	GND	
Network	LAN	Network Interface

## 2.2 Wiring Description

### 2.2.1 Door Lock Wiring



**Figure 2-2 Door Lock Wiring**

#### Note

- Terminal NC1/COM1 is set as default for accessing magnetic lock/electric bolt; terminal NO1/COM1 is set as default for accessing electric strike.
- To connect electric lock in terminal NO2/COM2/NC2, it is required to set the output of terminal NO2/COM2/NC2 to be electric lock with iVMS-4200 client software.

### 2.2.2 Door Contact Wiring

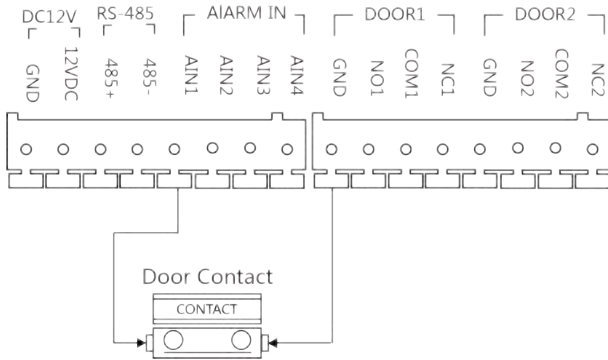


Figure 2-3 Door Contact Wiring

### 2.2.3 Exit Button Wiring

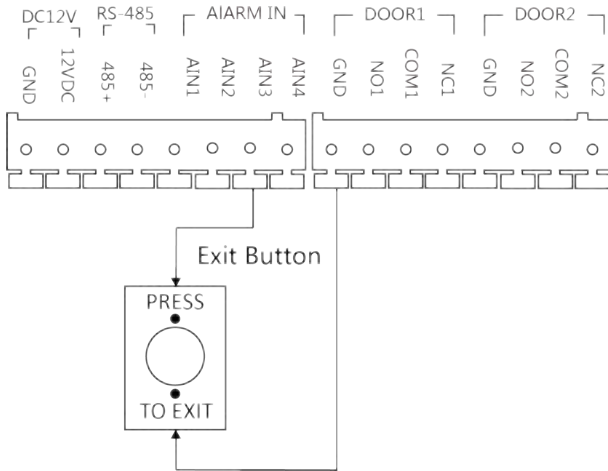
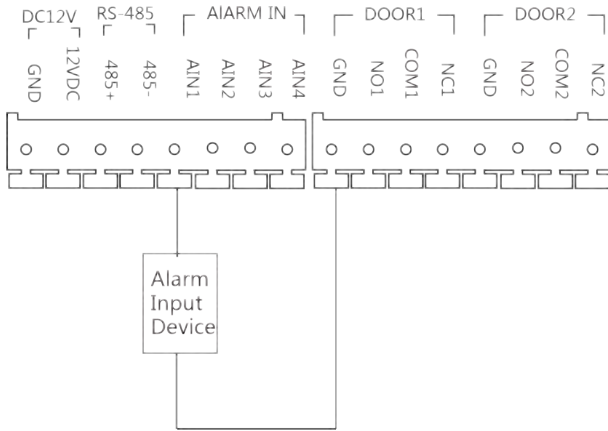


Figure 2-4 Exit Button Wiring

### 2.2.4 Alarm Input Device Wiring



**Figure 2-5 Alarm Input Device Wiring**

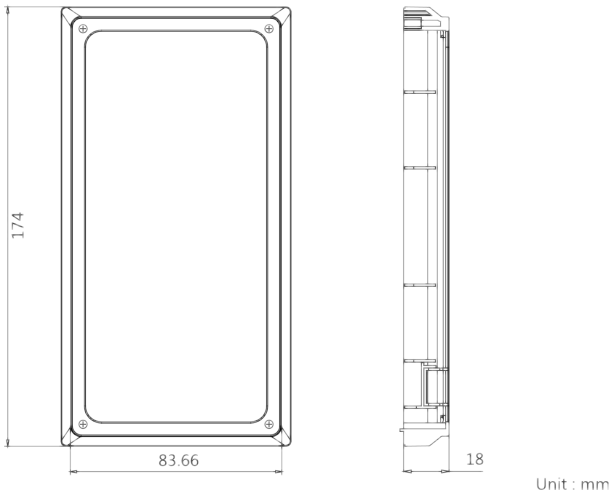
## 3 Installation

---

### Note

- Make sure the device in the package is in good condition and all the assembly parts are included.
  - Make sure your power supply matches your door station.
  - Make sure all the related equipment is power-off during the installation.
  - Check the product specification for the installation environment.
- 

### 3.1 Accessory Introduction



**Figure 3-1 Accessory Introduction**

---

### Note

The dimension of gang box for door station is: 174 (length) × 83.66 (width) × 18 (depth) mm.

---

### 3.2 Surface Mounting with Protective Shield

### Before You Start

- Tools that you need to prepare for installation: Drill ( $\varnothing 2.846$ ) and gradienter.
- Purchase the protective shield before installation.

### Steps

1. Stick the mounting template on the wall. Drill screw holes according to the mounting template. Remove the template from the wall.

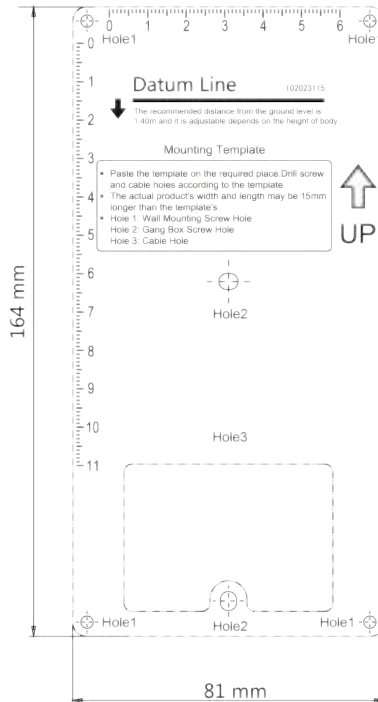
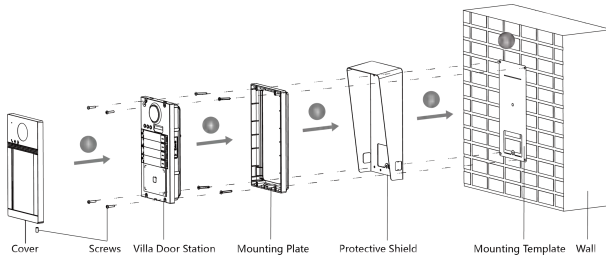


Figure 3-2 Mounting Template

2. Align the protective shield with mounting template.
3. Secure the mounting plate on the wall with 4 supplied screws according to the screw holes.
4. Secure the device on the mounting plate with 4 supplied set screws.
5. Fix the cover onto the device with the screw.



**Figure 3-3 Surface Mounting with Protective Shield**

## 3.3 Surface Mounting without Protective Shield

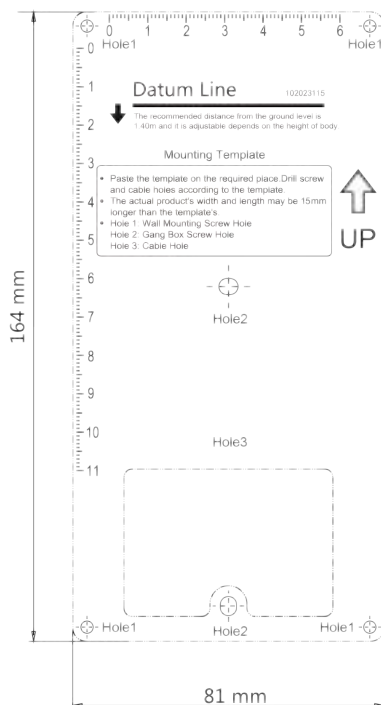
### Before You Start

Tools that you need to prepare for installation: Drill ( $\varnothing 2.846$ ) and gradienter.

### Steps

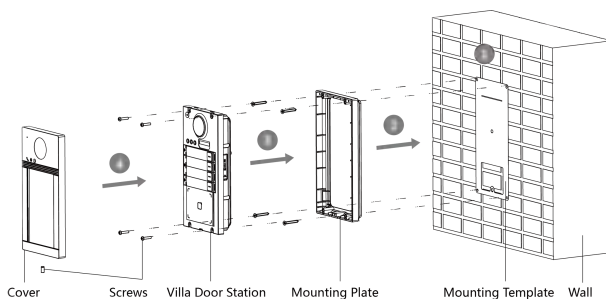
1. Stick the mounting template on the wall. Drill screw holes according to the mounting template. Remove the template from the wall.





**Figure 3-4 Mounting Template**

2. Secure the mounting plate on the wall with 4 supplied screws according to the screw holes.
3. Secure the device on the mounting plate with 4 supplied set screws.
4. Fix the cover onto the device with the screw.



**Figure 3-5 Surface Mounting without Protective Shield**

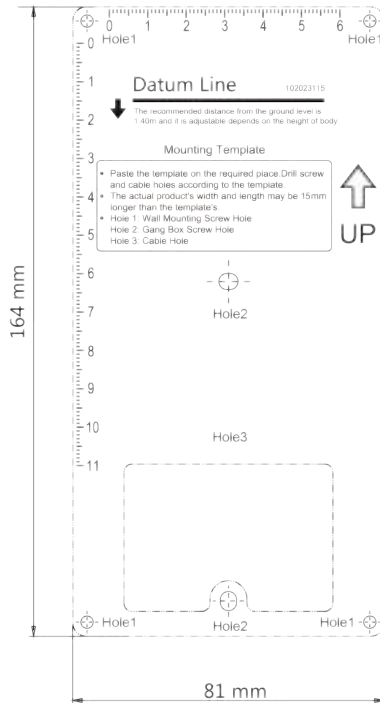
## 3.4 Flush Mounting with Protective Shield

### Before You Start

- Tools that you need to prepare for installation: Drill ( $\varnothing 2.846$ ) and gradienter.
- Purchase the protective shield before installation.

### Steps

1. Stick the mounting template on the wall. Drill the hole according to the mounting template. Remove the template from the wall.

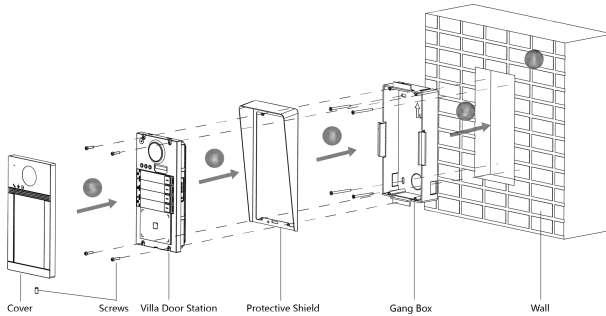


**Figure 3-6 Mounting Template**

### Note

The suggested size of hole is 175 mm × 84 mm × 19 mm.

2. Install the gang box into the hole with 4 screws.
3. Align the protective shield with the gang box.
4. Insert the device to the gang box. Secure the device with 4 supplied screws.
5. Fix the cover onto the device with the screw.



**Figure 3-7 Flush Mounting with Protective Shield**

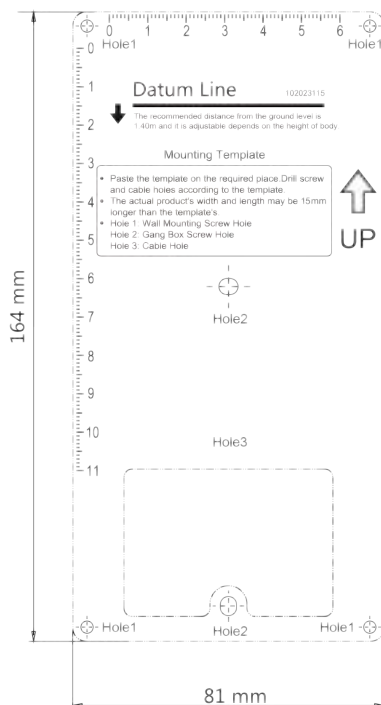
## 3.5 Flush Mounting without Protective Shield

### Before You Start

Tools that you need to prepare for installation: Drill ( $\varnothing 2.846$ ) and gradienter.

### Steps

1. Stick the mounting template on the wall. Drill the hole according to the mounting template. Remove the template from the wall.

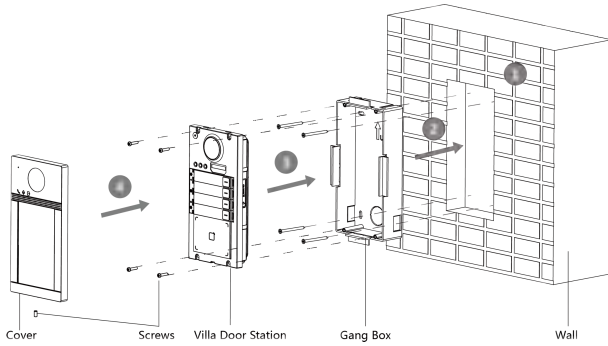


**Figure 3-8 Mounting Template**

 **Note**

The suggested size of hole is 175 mm × 84 mm × 19 mm.

2. Secure the gang box into the hole with 4 screws.
3. Insert the device to the gang box. Secure the device with 4 supplied screws.
4. Fix the cover onto the device with the screw.



**Figure 3-9 Flush Mounting without Protective Shield**

## 4 Activation

### 4.1 Activate Device via Web

You are required to activate the device first by setting a strong password for it before you can use the device.

Default parameters of the door station are as follows:

- Default IP Address: 192.0.0.65.
- Default Port No.: 8000.
- Default User Name: admin

#### Steps

1. Power on the device, and connect the device to the network.
2. Enter the IP address into the address bar of the web browser, and click **Enter** to enter the activation page.

---

#### Note

The computer and the device should belong to the same subnet.

---

3. Create and enter a password into the password field.
4. Confirm the password.
5. Click **OK** to activate the device.

### 4.2 Activate Device via Client Software

You can only configure and operate the door station after creating a password for the device activation.

Default parameters of door station are as follows:

- Default IP Address: 192.0.0.65.
- Default Port No.: 8000.
- Default User Name: admin.

#### Steps

1. Run the client software, click **Maintenance and Management → Device Management → Device** to enter the page.
2. Click **Online Device**.

3. Select an inactivated device and click **Activate**.
  4. Create a password, and confirm the password.
- 

 **Note**

We highly recommend you to create a strong password of your own choosing (using a minimum of 8 characters, including at least three kinds of following categories: upper case letters, lower case letters, numbers, and special characters) in order to increase the security of your product. And we recommend you reset your password regularly, especially in the high security system, resetting the password monthly or weekly can better protect your product.

---

5. Click **OK** to activate the device.
- 

 **Note**

- When the device is not activated, the basic operation and remote operation of device cannot be performed.
  - You can hold the **Ctrl** or **Shift** key to select multiple devices in the online devices, and click the **Activate** button to activate devices in batch.
- 

## 4.3 Edit Network Parameters

To operate and configure the device via LAN (Local Area Network), you need connect the device in the same subnet with your PC. You can edit network parameters via **iVMS-4200** client software.

### Steps

1. Select an online activated device and click the **Modify Netinfo**.
  2. Edit the device IP address and gateway address to the same subnet with your computer.
  3. Enter the password and click **OK** to save the network parameters modification.
- 

 **Note**

- The default port No. is 8000.
  - The default IP address of the door station is 192.0.0.65.
  - After editing the network parameters of device, you should add the devices to the device list again.
-



## 5 Remote Configuration via Web

### 5.1 Live View

In the browser address bar, enter the IP address of the device, and press the Enter key to enter the login page.

Enter the user name and password and click **Login** to enter the Live View page. Or you can click **Live View** to enter the page.



**Figure 5-1 Live View**

- You can start/stop live view, capture, record, audio on/off, two-way audio, etc.
- The stream type can be set as main stream or sub stream.
- For IE (Internet Explorer) users, the device support two-way audio communication.

### 5.2 Organization Structure Settings

You can search the information of the person in organization structure.

#### Steps

1. Click **Organization Structure** to enter the page.



**Figure 5-2 Organization Structure Settings**

2. Click **Fresh** to refresh the list.
3. Enter the **Keyword** and click **Search**.  
The person information will display in the list.

## 5.3 Parameters Settings

Click **Configuration** to set the parameters of the device.

---

### Note

Run the browser, click  → **Internet Options** → **Security** to disable the Protected Mode.

---

### 5.3.1 Local Parameters Settings

You can configure the parameters of the live view, record files and captured pictures. The record files and captured pictures are the ones you record and capture by using the web browser. You can also set and view the saving paths of the captured pictures and recorded videos on the PC that running the web browser.

#### Live View Parameters

##### Protocol

**TCP:** Ensures complete delivery of streaming data and better video quality, yet the real-time transmission will be affected.

**UDP:** Provides real-time audio and video streams.

##### Stream Type

Set the stream type as **Main Stream** or **Sub-stream**.

### **Play Performance**

Set the live view performance to **Shortest Delay**, **Balanced** or **Fluent**.

### **Rules**

It refers to the rules on your local browser, select enable or disable to display or not display the colored marks when the motion detection, face detection, or intrusion detection is triggered. E.g., enabled as the rules are, and the face detection is enabled as well, when a face is detected, it will be marked with a green rectangle on the live view

### **POS/OSD Overlay**

Enable the function, feature information of the detected target is dynamically displayed near the target in the live image.

### **Image Size**

Set the image size to **Auto-fill**, **4:3** or **16:9**.

### **Auto Start Live View**

Check **Yes** to enable the function.

### **Image Format**

Select the image format for picture capture.

Click **Save** to enable the settings.

### **Record File Parameters**

#### **Record File Size**

Select the packed size of the manually recorded and downloaded video files to **256M**, **512M** or **1G**. After the selection, the maximum record file size is the value you selected.

#### **Save record files to**

Set the saving path for the manually recorded video files.

Click **Save** to enable the settings.

### **Picture and Clip Settings**

#### **Save snapshots in live view to**

Set the saving path of the manually captured pictures in live view mode.

---

 **Note**

You can click **Browse** to change the directory for saving the clips and pictures, and click **Open** to open the set folder of clips and picture saving.

---

Click **Save** to enable the settings.

### 5.3.2 System Settings

Follow the instructions below to configure the system settings, include System Settings, Maintenance, Security, and User Management, etc.

Click **System** to enter the settings page.

#### Basic Information

Click **System Settings** → **Basic Information** to enter the settings page. On the page, you can edit **Device Name** and **Device No.** Set the **Language** according to your needs.

Click **Save** to enable the settings.

#### Time Settings

Click **System Settings** → **Time Settings** to enter the settings page. Select the **Time Zone** of your location from the drop-down list.

- Enable **NTP**, set the **Server Address**, **NTP Port** and **Interval**.
- Enable **Manual Time Sync.**, set the time manually or check the **Sync. with computer time**.

Click **Save** to enable the settings.

#### DST

Click **System Settings** → **DST** to enter the settings page. Check the **Enable DST**, and set the parameters.

Click **Save** to enable the settings.

## RS-485

Click **System Settings** → **RS-485** to enter the settings page. Select the **No.** and **Working Mode** from the drop-down list.

Click **Save** to enable the settings.

## Maintenance

Click **Maintenance** → **Upgrade & Maintenance** to enter the settings page.



Figure 5-3 Maintenance

- **Reboot:** Click **Reboot** to reboot the device.
- **Restore**
  - Click **Restore** to reset all the parameters, except the IP parameters and user information, to the default settings.

### Default

Click **Default** to restore all parameters to default settings.

- **Export parameters:**
  1. Click **Device Parameters** to pop up the dialog box.
  2. Set and confirm the encryption password.
  3. Click **OK** to export parameters.
- **Import Config. File:**
  1. Click **Browse** to select the configuration file.
  2. Click **Import** and enter the encryption password to import.
- **Upgrade:** Click **Browse** to select the upgrade file.

 **Note**

The upgrading process will last 1 to 10 minutes, do not power off during the upgrading. The device reboots automatically after upgrading.

---

### User Management

Click **User Management** to enter the settings page.

Administrator can edit the permission for the users.

---

 **Note**

We highly recommend you to create a strong password of your own choosing (using a minimum of 8 characters, including at least three kinds of following categories: upper case letters, lower case letters, numbers, and special characters) in order to increase the security of your product. And we recommend you reset your password regularly, especially in the high security system, resetting the password monthly or weekly can better protect your product.

---

### Online Users

Click **User Management** → **Online Users** to enter the page.



No.	User Name	Level	IP Address	User Operation Time
1	admin	Administrator	10.25.222.102	2018-05-14 14:54:20

**Figure 5-4 Online Users**

Click **Refresh** to get the present information.

## Arming/Disarming Information

Click **User Management** → **Arming/Disarming Information** to view the information. Click **Refresh** to get the present information.

### 5.3.3 Network Settings

#### TCP/IP Settings

TCP/IP settings must be properly configured before you operate the device over network. The device supports IPv4.

##### Steps

1. Click **Network** → **Basic Settings** → **TCP/IP** to enter the settings page.

DHCP

IPv4 Address: 192.168.1.102

IPv4 Subnet Mask: 255.255.255.0

IPv4 Default Gateway: 192.0.0.1

Mac Address: 00:40:8D:36:19:01

MTU: 1500

**DNS Server**

Preferred DNS Server: 8.8.8.8

Alternate DNS Server: 114.114.114.114

**Save**

**Figure 5-5 TCP/IP Settings**

2. Configure the network parameters.
  - Check **DHCP**, the device will get the parameters automatically.
  - Set the **IPv4 Address**, **IPv4 Subnet Mask** and **IPv4 Default Gateway** manually.
3. Configure the DNS server.
4. Click **Save** to enable the settings.

#### Port Settings

### Steps

1. Click **Network** → **Basic Settings** → **Port** to enter the settings page.



The screenshot shows a settings page with three input fields. The first field is labeled 'HTTP Port' and contains the number '80'. The second field is labeled 'RTSP Port' and contains the number '554'. The third field is labeled 'Server Port' and contains the number '8000'. Below these fields is a red button with a white 'Save' label and a small icon.

**Figure 5-6 Port Settings**

2. Set the ports of the device.

#### **HTTP Port**

The default port number is 80, and it can be changed to any port No. which is not occupied.

#### **RTSP Port**

The default port number is 554 and it can be changed to any port No. ranges from 1 to 65535.

#### **Server Port**

The default server port number is 8000, and it can be changed to any port No. ranges from 2000 to 65535.

3. Click **Save** to enable the settings.

## **Wi-Fi Settings**

### Steps

1. Click **Network** → **Basic Settings** → **Wi-Fi Settings** to enter the settings page.
2. Enter the **SSID** and **Password** of the Wi-Fi.
3. Select **Security Mode**.
4. Click **Connect**.

## **SIP Setting**

### Steps

1. Click **Network** → **Basic Settings** → **SIP** to enter the settings page.
2. Check **Enable VOIP Gateway**.
3. Configure the SIP parameters.



4. Click **Save** to enable the settings.

## FTP Settings

### Steps

1. Click **Network** → **Advanced Settings** → **FTP** to enter the settings page.

**FTP Settings**

Enable FTP

Server Type Server IP Address ▾

Server IP Address 0.0.0.0

Port 21

Enable Anonymous

User Name

Password

Directory Structure Save in the child directory ▾

Parent Directory Building No. & Unit No. ▾

Child Directory Time ▾

**Picture Naming Rules**

Delimiter

Named Item Option1 ▾

Named Element Time ▾

**Save**

Figure 5-7 FTP Settings

2. Check **Enable FTP**.
3. Select **Server Type**.
4. Input the **Server IP Address** and **Port**.

5. Configure the FTP Settings, and the user name and password are required for the server login.
6. Set the **Directory Structure**, **Parent Directory** and **Child Directory**.
7. Set the picture naming rules.
8. Click **Save** to enable the settings.

## Platform Access

Platform access provides you an option to manage the devices via platform.

### Steps

1. Click **Network** → **Advanced Settings** → **Platform Access** to enter the settings page.
2. Check the checkbox of **Enable** to enable the function.
3. Select the **Platform Access Mode**.

---

#### **Note**

Hik-Connect is an application for mobile devices. With the App, you can view live image of the device, receive alarm notification and so on.

---

4. Create a **Stream Encryption/Encryption** for the device.

---

#### **Note**

6 to 12 letters (a to z, A to Z) or numbers (0 to 9), case sensitive. You are recommended to use a combination of no less than 8 letters or numbers.

---

5. Click **Save** to enable the settings.

## Linked Network Settings

Enter a short description of your task here (optional).

### Steps

1. Click **Network** → **Advanced Settings** → **Other** to enter the settings page.



The screenshot shows a configuration form with the following fields:

Device Type	Main Villa Door Station
Master Station IP	0.0.0.0
SIP Server IP Address	0.0.0.0
Center IP Address	0.0.0.0
Center Port No	0

At the bottom of the form is a red button labeled "Save".

**Figure 5-8 Linked Network Settings**

2. Set the **Master Station IP**, **SIP Server IP Address**, **Center IP Address** and **Center Port No**.
3. Click **Save** to enable the settings.

### 5.3.4 Video & Audio Settings

#### Video Parameters

##### Steps

1. Click **Video/Audio** → **Video** to enter the settings page.

Stream Type	Main Stream	▼
Video Type	Video&Audio	▼
Resolution	1920*1080P	▼
Bitrate Type	Variable	▼
Video Quality	Medium	▼
Frame Rate	25	▼ fps
Max. Bitrate	2048	Kbps
Video Encoding	H.264	▼
I Frame Interval	50	
Audio Encoding	G.711ulaw	▼

 Save

Figure 5-9 Video Parameters

2. Select the **Stream Type**.
3. Configure the video parameters.

**Video Type**

Select the stream type to video stream, or video & audio composite stream.  
The audio signal will be recorded only when the **Video Type** is **Video & Audio**.

**Resolution**

Select the resolution of the video output.

**Bitrate Type**

Select the bitrate type to constant or variable.

**Video Quality**

When bitrate type is selected as Variable, 6 levels of video quality are selectable.

**Frame Rate**

Set the frame rate. The frame rate is to describe the frequency at which the video stream is updated and it is measured by frames per second (fps). A

higher frame rate is advantageous when there is movement in the video stream, as it maintains image quality throughout.

#### **Max. Bitrate**

Set the max. bitrate from 32 to 16384 Kbps. The higher value corresponds to the higher video quality, but the better bandwidth is required.

#### **Video Encoding**

The device supports H.264.

#### **I Frame Interval**

Set I Frame Interval from 1 to 400.

#### **Audio Encoding**

The device support G.711ulaw.

4. Click **Save** to enable the settings.

### **Audio Parameters**

#### **Steps**

1. Click **Video/Audio** → **Audio** to enter the settings page.
2. Adjust the **Input Volume**, **Output Volume** and **Speak Volume**.

---

#### **Note**

Available range of volume: 0 to 10.

---

3. Click **Save** to enable the settings.

### **5.3.5 Image Settings**

#### **Display Settings**

Configure the image adjustment, backlight settings and other parameters in display settings.

#### **Steps**

1. Click **Image** → **Display Settings** to enter the display settings page.



Figure 5-10 Display Settings

2. Select the **Format**.
3. Set the display parameters.

#### **WDR**

Wide Dynamic Range can be used when there is a high contrast of the bright area and the dark area of the scene.

#### **Brightness**

Brightness describes bright of the image, which ranges from 1 to 100.

#### **Contrast**

Contrast describes the contrast of the image, which ranges from 1 to 100.

#### **Saturation**

Saturation describes the colorfulness of the image color, which ranges from 1 to 100.

#### **Sharpness**

Sharpness describes the edge contrast of the image, which ranges from 1 to 100.

#### **BLC Area**

If you focus on an object against strong backlight, the object will be too dark to be seen clearly. BLC compensates light to the object in the front to make it clear. OFF, Up, Down, Left, Right and Center are selectable.

4. Click **Save** to enable the settings.

## **OSD Settings**

You can customize the camera name, time/date format, display mode, and OSD size displayed on the live view.

#### Steps

1. Click **Image** → **OSD Settings** to enter the settings page.
2. Check the corresponding checkbox to select the display of camera name, date or week if required.
3. Edit the **Camera Name**.
4. Select from the drop-down list to set the **Time Format** and **Date Format**.
5. Configure the text overlay settings.
  - 1) Check the checkbox in front of the textbox to enable the on-screen display.
  - 2) Enter the characters in the textbox.

---

 **Note**

Up to 4 text overlays are configured.

---

6. Adjust the OSD position and alignment.
7. Click **Save** to enable the settings.

### 5.3.6 Event Settings

#### Motion Detection

Motion detection detects the moving objects in the configured surveillance area, and a series of actions can be taken when the alarm is triggered.

#### Steps

1. Click **Event** → **Motion** to enter the settings page.



**Figure 5-11 Motion Detection**

2. Check **Enable Motion Detection** to enable the function.
3. Click **Draw Area**. Click and drag the mouse on the live video to draw a motion detection area. Click **Stop Drawing** to finish drawing one area. Click **Save** to save the settings.
  - Clear Area** Click **Clear All** to clear all of the areas.
  - Adjust Sensitivity** Move the slider to set the sensitivity of the detection.
4. Click **Arming Schedule** to edit the arming schedule.
5. Click on the time bar and drag the mouse to select the time period. Click **Save** to save the settings.
  - Delete Schedule** Click **Delete** to delete the current arming schedule.
6. Click **Linkage Method** to enable the linkages.



### Notify Surveillance Center

Send an exception or alarm signal to the remote management software when an event occurs.

7. Click **Save** to enable the settings.

### Access Control Events

#### Steps

1. Click **Event** → **Access Control Event** to enter the settings page.
2. Select the **Major Type** as **Device Event** or **Door Event**.
3. Select the type of the **Normal Linkage** for the event.

### 5.3.7 Intercom Settings

#### Device ID Configuration

##### Steps

1. Click **Device ID Configuration** to enter the page.

Device Type	Villa Door Station
Community No.	1
Building No.	1
Unit No.	1
Floor No.	1
Villa Door Station No.	0
Compound No.	0

**Save**

**Figure 5-12 Device ID Configuration**

2. Select the device type from the drop-down list, and set the corresponding information.
3. Click **Save** to enable the device number configuration.

 **Note**

- For main door station (D series or V series), the serial No. is 0.
  - For sub door station (D series or V series), the serial No. cannot be 0. Serial No. ranges from 1 to 99.
  - For each villa or building, at least one main door station (D series or V series) should be configured, and one sub door stations (D series or V series) can be customized.
  - For one main door station (D series or V series), up to 8 sub door stations can be configured.
- 

## **Access Control and Elevator Control**

### **Before You Start**

- Make sure your door station is in the mode of main door station. Only the main door station support elevator control function.
- Make sure your door station has been connected to the elevator controller via RS-485 wire if you want to use RS-485 interface.

### **Steps**

1. Click **Access Control and Elevator Control** to enter the corresponding configuration page.

The screenshot displays two configuration sections. The first section, 'Access Control Parameters', includes a dropdown for 'Door' (set to 'Door1'), an empty 'Door Name' field, a 'Unlock Duration' field (set to '15'), and an unchecked checkbox for 'Enable Card Encryption Parameters'. Below this is a red 'Save' button. The second section, 'Elevator Control Parameter', features an unchecked checkbox for 'Enable elevator control?'. It contains several fields: 'Elevator No.' (dropdown, 'Elevator No. 1'), 'Elevator Controller Type' (dropdown, 'DS-K2210'), 'Interface Type' (dropdown, 'Network Interface'), 'Negative Floor Capacity' (text input, '0'), 'Alarm Receiver Type' (dropdown, 'IP'), 'Server IP Address' (text input, '0.0.0.0'), 'Port' (text input, '0'), 'User Name' (text input), and 'Password' (text input). A red 'Save' button is located below these fields. At the bottom of the interface is a 'Issuing Mode' section with a 'Issue Card' button.

**Figure 5-13 Access Control and Elevator Control**

2. Set the access control parameters.
  - 1) Select the **Door No.**
  - 2) Set the **Door-unlocked Duration.**
  - 3) **Optional:** Enable **Delay Door Alarm.**
  - 4) Click **Save** to enable the settings.

---

 **Note**

- The door-unlocked duration ranges from 1s to 225s.
  - If you check **Delayed Door Alarm**, an alarm will be triggered automatically if the door is not locked in the configured duration.
- 

3. Set the elevator parameters.
  - 1) Select an **Elevator No.**, and select an elevator controller type for the elevator.

- 2) Set the **Negative Floor**.
  - 3) Select the **Interface Type** as **RS-485** or **Network Interface**. And enable the elevator control.
    - If you select RS-485, make sure you have connected the door station to the elevator controller with RS-485 wire.
    - If you select Network interface, enter the elevator controller's IP address, port No., user name, and password.
- 

 **Note**

- Up to 4 elevator controllers can be connected to one door station.
  - Up to 10 negative floors can be added.
  - Make sure the interface types of elevator controllers, which are connected to the same door station, are consistent.
- 

## Input and Output

Click **Intercom** → **Input and Output** to enter the settings page.



I/O Input No.	Input
Input	Door Status
I/O Output No.	Output1
Output	Electric Lock

**Save**

**Figure 5-14 IO Input and Output**

Select **I/O Input No.**, **Input**, **I/O Output No.** and **Output**.

Click **Save** to enable the settings.

## Time Parameters

Click **Time Parameters** to enter the page.

Configure the time parameters and click **Save**.

 **Note**

- For door station, maximum speaking time and maximum message time should be configured.
  - Maximum speaking time varies from 90s to 120s, and maximum message time varies from 30s to 60s.
- 

## Ring-Back Tone Settings

Click **Intercom** → **Ring-Back Tone** to enter the settings page.

Click **Browse** to select the ring tone from PC.

---

 **Note**

Available Audio Format: WAV、AAC, Size: Less than 600 KB, Sample Rate: 8000Hz, Mono.

---

## Press Button to Call

### Steps

1. Click **Intercom** → **Press Button to Call** to enter the settings page.
  2. Set the parameters.
    - Edit call No. for every button.
    - Check **Call Management Center** to set the button calling center.
- 

 **Note**

If you check **Call Management Center** and set the call No. as well, call management center has higher privilege than call No.

---

## 6 Configuration via Client Software

### 6.1 Device Management

Device management includes device activation, adding device, editing device, and deleting device, and so on.

After running the iVMS-4200, video intercom devices should be added to the client software for remote configuration and management.

#### 6.1.1 Add Online Device

##### Before You Start

Make sure the device to be added is in the same subnet with your computer. Otherwise, please edit network parameters first.

##### Steps

1. Click **Online Device** to select an active online device.
2. Click **Add**.
3. Enter corresponding information, and click **Add**.

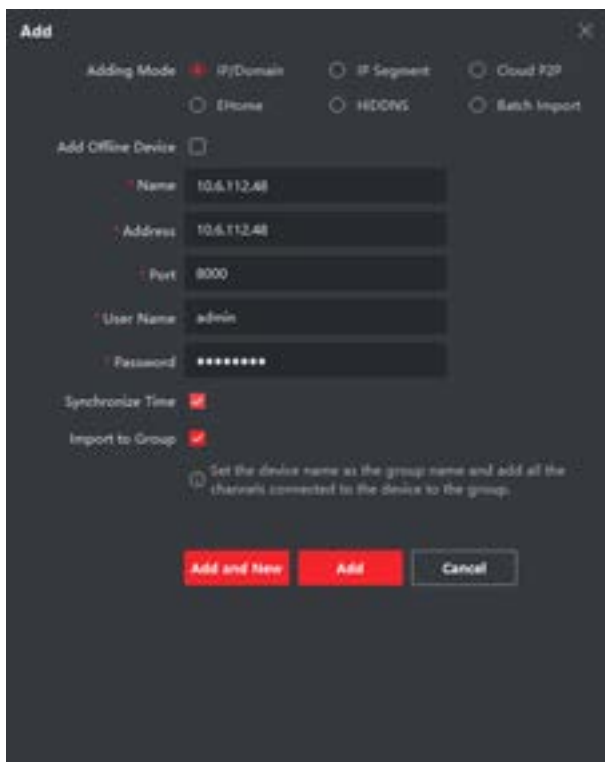


Figure 6-1 Add to the Client

### 6.1.2 Add Device by IP Address

#### Steps

1. Click **+Add** to pop up the adding devices dialog box.
2. Select **IP/Domain** as **Adding Mode**.
3. Enter corresponding information.
4. Click **Add**.

### 6.1.3 Add Device by IP Segment

You can add many devices at once whose IP addresses are among the IP segment.

#### Steps

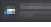
1. Click **+Add** to pop up the dialog box.
2. Select **IP Segment** as **Adding Mode**.
3. Enter corresponding information, and click **Add**.

## 6.2 Live View via Door Station

#### Steps

1. On the main page of the client software, click **Main View** to enter the Live View page.
2. In the left list of the window, double-click the device IP or click the play icon to live view.
3. **Optional:** On the Live View page, control-click and select **Capture** to get the picture of the live view.

## 6.3 Organization Management

On the main page of the Client Software, click  **PersonalManagement** to enter the configuration page.

### 6.3.1 Add Organization

#### Steps

1. In the organization list on the left, click **+Add**.
2. Enter the **Organization Name** as desired.
3. Click **OK** to save the adding.
4. **Optional:** You can add multiple levels of organizations according to the actual needs.
  - 1) You can add multiple levels of organizations according to the actual needs.
  - 2) Then the added organization will be the sub-organization of the upper-level organization.




 **Note**

Up to 10 levels of organizations can be created.

---

### 6.3.2 Modify and Delete Organization

You can select the added organization and click  to modify its name.

You can select an organization, and click **X** button to delete it.

---

 **Note**

- The lower-level organizations will be deleted as well if you delete an organization.
  - Make sure there is no person added under the organization, or the organization cannot be deleted.
- 

## 6.4 Person Management

After adding the organization, you can add person to the organization and manage the added person such as issuing cards in batch, importing and exporting person's information in batch, etc.

---

 **Note**

Up to 10,000 persons or cards can be added.

---

### 6.4.1 Add Person

Person information is necessary for the video intercom system. And when you set linked device for the person, the intercom between intercom devices can be realized.

#### Steps

1. Select an organization in the organization list and click **Add** on the Person panel to pop up the adding person dialog.
- 

 **Note**

The Person No. will be generated automatically and is editable.

---

2. Set basic person information.

- 1) Enter basic information: name, gender, tel, birthday details, effective period and email address.

---

 **Note**

The length of person name should be less than 15 characters.

---

- 2) Click **Add** face to upload the photo.

---

 **Note**

The picture should be in \*.jpg format.

---

**Click Upload**                      Select the person picture from the local PC to upload it to the client.

**Click Take Phone**                Take the person's photo with the PC camera.

**Click Remote Collection**        Take the person's photo with the collection device.

3. Issue the card for the person.

- 1) Click **Credential → Card** .
- 2) Click **+** to pop up the Add Card dialog.
- 3) Select **Normal Card** as **Card Type**.
- 4) Enter the **Card No.**
- 5) Click **Read** and the card(s) will be issued to the person.

4. Link the device to the person.

- 1) Set the linked devices.

**Linked Device**

You can bind the indoor station to the person.

---

 **Note**

If you select **Analog Indoor Station** in the Linked Device, the **Door Station** field will display and you are required to select the door station to communicate with the analog indoor station.

---

**Room No.**

You can enter the room No. of the person.

- 2) Click **OK** to save the settings.
5. Click **Add** to save the settings.

### 6.4.2 Modify and Delete Person

Select the person and click **Edit** to open the editing person dialog.

To delete the person, select a person and click **Delete** to delete it.



#### Note

If a card is issued to the current person, the linkage will be invalid after the person is deleted.

---

### 6.4.3 Change Person to Other Organization

You can move the person to another organization if needed.

#### Steps

1. Select the person in the list and click **Change Organization**.
2. Select the organization to move the person to.
3. Click **OK** to save the settings.

### 6.4.4 Import and Export Person Information

The person information can be imported and exported in batch.

#### Steps

1. Exporting Person: You can export the added persons' information in Excel format to the local PC.
  - 1) After adding the person, you can click **Export Person** to pop up the following dialog.
  - 2) Click ... to select the path of saving the exported Excel file.
  - 3) Check the checkboxes to select the person information to export.
  - 4) Click **OK** to start exporting.
2. Importing Person: You can import the Excel file with persons information in batch from the local PC.
  - 1) Click **Import Person**.
  - 2) You can click **Download Template for Importing Person** to download the template first.
  - 3) Input the person information to the downloaded template.
  - 4) Click ... to select the Excel file with person information.

- 5) Click **OK** to start importing.

### 6.4.5 Get Person Information from Device

If the added device has been configured with person information (including person details, fingerprint, issued card information), you can get the person information from the device and import to the client for further operation.

#### Steps

---



#### Note

This function is only supported by the device the connection method of which is TCP/IP when adding the device.

---

1. In the organization list on the left, click to select an organization to import the persons.
  2. Click **Get from Device** to pop up the dialog box.
  3. The added device will be displayed.
  4. Click to select the device and then click **Get** to start getting the person information from the device.
- 



#### Note

- The person information, including person details, person's fingerprint information (if configured), and the linked card (if configured), will be imported to the selected organization.
  - If the person name stored in the device is empty, the person name will be filled with the issued card No. after importing to the client.
  - The gender of the persons will be **Male** by default.
- 

### 6.4.6 Issue Card in Batch

You can issue multiple cards for the person with no card issued in batch.

#### Steps

1. Click **Batch Issue Cards** to enter the dialog page. All the added person with no card issued will display in the Person(s) with No Card Issued list.

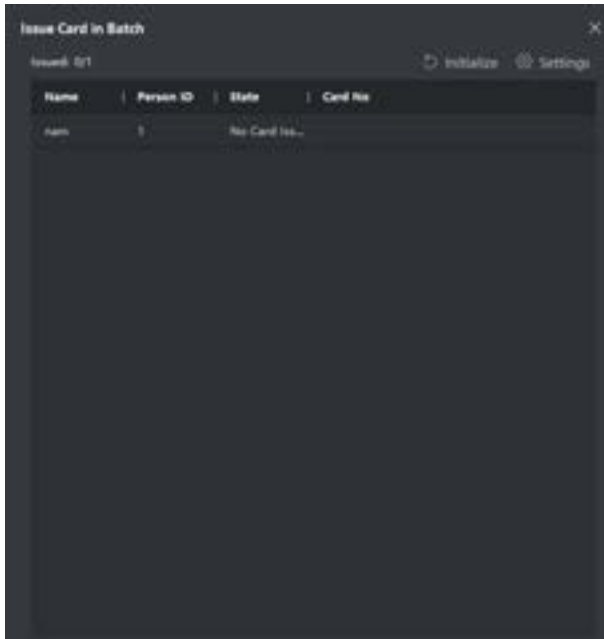


Figure 6-2 Issue Card in Batch

2. Click **Settings**.

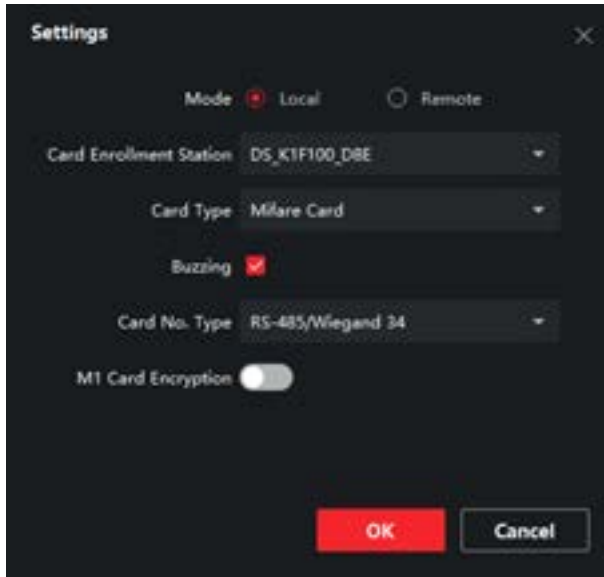


Figure 6-3 Card Settings

3. Select **Card Type** and **Card No. Type**.
4. Click **OK** to save the settings.


#### Result

After issuing the card to the person, the person and card information will display in the Person(s) with Card Issued list.

### 6.4.7 Permission Settings


#### Add Permissions

##### Steps

1. On the main page, click  **AccessControlInfo** → **Access Group** to enter the page.
2. Click **+Add** to pop up the adding dialog box.
3. Configure the parameters.
  - 1) Enter the **Name** of the permission.

- 2) Select the **Template** of the schedule.
- 3) Check the person to **Selected** according to your needs.
- 4) Check the device to **Selected** according to your needs.
4. Click **Save**.
5. Check the permission and click **Apply All to Device**.  
The status of the permission displays as **Applied**.
6. **Optional**: Click **Applying Status** to check the details.

## Modify/Delete Permissions

On the page of the permission settings, click  to edit the parameters of the permission.

Select one or more permissions, click **Delete** to remove the permissions.

## 6.5 Video Intercom Settings

The Video Intercom Management module provides the function of video intercom, checking call logs and managing notice via the iVMS-4200 Client Software.

---

### Note

For the user with access control module permissions, the user can enter the Access Control module and manage video intercom and search information.




You should add the device to the software and configure the person to link the device in Access Control module before your configuration remotely.

On the main page, click  **AccessControlInfo** → **Video Intercom** → **Video Intercom** on the left bar to enter the Video Intercom page.

### 6.5.1 Receive Call from Door Station

#### Steps

1. Select the client software in the page to start calling the client and an incoming call dialog will pop up in the client software.
2. Click **Answer** to answer the call. Or click **Hang Up** to decline the call.
3. After you answer the call, you will enter the In Call page.

<b>Adjust the Volume of Loudspeaker</b>	Click  to adjust the volume of loudspeaker.
<b>Hang Up</b>	Click <b>Hang Up</b> to hang up.
<b>Adjust the Volume of Microphone</b>	Click  to adjust the volume of microphone.
<b>Unlock Remotely</b>	For door station, you can click  to open the door remotely.

---

 **Note**

- One video intercom device can only connect with one client software.
  - The maximum ring duration can be set from 15s to 60s via the Remote Configuration of the video intercom device.
  - The maximum speaking duration between indoor station and iVMS-4200 can be set from 120s to 600s via the Remote Configuration of indoor station.
  - The maximum speaking duration between door station and iVMS-4200 can be set from 90s to 120s via the Remote Configuration of door station.
- 

## 6.5.2 Search Call Logs

### Steps

1. On the Video Intercom page, click **Call Log** to enter the page.



Figure 6-4 Search Call Logs



2. Set the search conditions, including call status, device type, start time and end time.

**Call Status**

Click **∨** to unfold the drop-down list and select the call status as **Dialed**, **Received** or **Missed**. Or select **All** to search logs with all statuses.

**Device Type**

Click **∨** to unfold the drop-down list and select the device type as **Indoor Station**, **Door Station**, **Outer Door Station** or **Analog Indoor Station**. Or select **All Devices** to search logs with all device types.

**Start Time/End Time**


Click the time icon to specify the start time and end time of a time period to search the logs.

**Reset the Settings**      Click **Reset** to reset all the configured search conditions.

3. Click **Search** and all the matched call logs will display on this page.
4. **Optional:** Check the detailed information of searched call logs, such as call status, ring/speaking duration, device name, resident organization, etc.
5. **Optional:** Input keywords in the Search field to filter the desired log.
6. **Optional:** Click **Export** to export the call logs to your PC.

### 6.5.3 Upload Armed Information

**Steps**

1. On the main page, click upper right  → **Tool** → **DeviceGuard** to enter the page.
2. Enable to arm or disarm the device.

---

 **Note**

- While device has been added to the client software, the device armed by default.
  - When the device is armed, the alarm logs upload to the client software automatically.
  - Click **Alarm Application** → **Event Search** to search the alarm logs.
- 

3. **Optional:** Click **Arm All** or **Disarm All** to arm or disarm all the device.

## A. Communication Matrix and Device Command

### Communication Matrix

Scan the following QR code to get the device communication matrix.

Note that the matrix contains all communication ports of Hikvision access control and video intercom devices.



Figure A-1 QR Code of Communication Matrix

### Device Command

Scan the following QR code to get the device common serial port commands.

Note that the command list contains all commonly used serial ports commands for all Hikvision access control and video intercom devices.



**Figure A-2 Device Command**

