

## DS-2XE6146F-HS 4 MP Explosion-Proof Network Dome Camera



II 2 G D Ex db IIC T6 Gb/Ex tb IIIC T80°C Db IP68  
Ex db IIC T6 Gb/Ex tb IIIC T80°C Db IP68

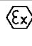
### Key Features

- 1/2.7" Progressive Scan CMOS
- 2.0 mm, 2.8 mm, 4 mm, 6 mm, optional
- 2560 × 1440 resolution
- Digital WDR
- Stainless steel 316L
- IP68
- H.265, H.265+, H.264+, H.264
- Image enhancement: BLC, 3D DNR, HLC, defog, EIS
- behavior analyses, exception detections and face detection



## Specifications

<b>Camera</b>	
Image Sensor	1/2.7" Progressive Scan CMOS
Min. Illumination	Color 0.01lux @(F1.2,AGC ON),0.028Lux @ (F2.0, AGC ON) B/W 0.0036lux @(F1.2,AGC ON); 0.01Lux @ (F2.0, AGC ON)
Shutter Speed	1 s to 1/100,000 s
Slow Shutter	Support
Digital Noise Reduction	3D DNR
Day & Night	Electronic
WDR	Digital WDR
2-Axis Adjustment	2mm: pan: 0° to 340°, tilt: 0° to 60° 2.8 mm, 4 mm, 6 mm: 0° to 340°, tilt: 0° to 75°
<b>Lens</b>	
Focal length	2.0 mm, 2.8 mm, 4 mm, 6 mm, optional
Aperture	2.0 mm@F2.2, 2.8 mm@F2.0, 4 mm@F2.0, 6 mm@F2.0
FOV	2 mm: horizontal FOV 122°, vertical FOV 71°, diagonal FOV 140° 2.8 mm: horizontal FOV 100.8°, vertical FOV 55°, diagonal FOV 117.3° 4 mm: horizontal FOV 77°, vertical FOV 42.5°, diagonal FOV 89.3° 6 mm: horizontal FOV 48.6°, vertical FOV 27.5°, diagonal FOV 55.5°
Lens Mount	M12
<b>Compression Standard</b>	
Video Compression	Main stream: H.265/H.264 Sub stream: H.265/H.264/MJPEG Third stream: H.265/H.264
H.264 Type	Baseline Profile/Main Profile/High Profile
H.264+	Main stream support
H.265 Type	Main Profile
H.265+	Main stream support
Video Bit Rate	32 Kbps to 16 Mbps
Audio Compression	G.711/G.722.1/G.726/MP2L2/PCM
Audio Bit Rate	64Kbps(G.711) / 16Kbps(G.722.1) / 16Kbps(G.726) / 32-192Kbps(MP2L2)
<b>Smart Feature-set</b>	
Behavior Analysis	Line crossing detection, intrusion detection, region entrance detection, region exit detection, unattended baggage detection, object removal detection
Exception	Audio exception detection
Face Detection	Support
Region of Interest	Support 4 fixed regions for each stream, and dynamic face tracking
<b>Image</b>	
Max. Resolution	2560 × 1440
Main Stream	50Hz: 25fps (2560 × 1440, 1920 × 1080, 1280 × 960, 1280 × 720) 60Hz: 24fps (2560 × 1440, 1920 × 1080, 1280 × 960, 1280 × 720)
Sub Stream	50Hz: 25fps (704 × 576, 640 × 480, 352 × 288, 320 × 240) 60Hz: 24fps (704 × 480, 640 × 480, 352 × 240, 320 × 240)
Third Stream	50Hz: 25fps (1920 × 1080, 1280 × 960, 1280 × 720, 704 × 576, 640 × 480, 352 × 288, 320 × 240) 60Hz: 24fps (1920 × 1080, 1280 × 960, 1280 × 720, 704 × 480, 640 × 480, 352 × 240, 320 × 240)
Image Enhancement	BLC, 3D DNR, HLC, defog, EIS

Image Setting	Rotate mode, saturation, brightness, contrast, sharpness, AGC, and white balance are adjustable by client software or web browser
Day/Night Switch	Day/Night/Auto/Schedule/Triggered by Alarm In
Target Cropping	Yes
SVC	H.264 and H.265 support
Picture Overlay	Logo picture can be overlaid on video with 128 × 128 24bit bmp format
<b>Network</b>	
Network Storage	Support microSD/SDHC/SDXC card (128 GB) local storage and NAS (NFS,SMB/CIFS), ANR
Alarm Trigger	Motion detection, video tampering, network disconnected, IP address conflict, illegal login, HDD full, HDD error
Protocols	TCP/IP, ICMP, HTTP, HTTPS, FTP, DHCP, DNS, DDNS, RTP, RTSP, RTCP, PPPoE, NTP, UPnP, SMTP, SNMP, IGMP, 802.1X, QoS, IPv6, UDP, Bonjour
General Function	One-key reset, anti-flicker, three streams, heartbeat, mirror, password protection, privacy mask, watermark, IP address filter
API	ONVIF (PROFILE S, PROFILE G), ISAPI
Simultaneous Live View	Up to 20 channels
User/Host	Up to 32 users 3 levels: Administrator, Operator and User
Client	iVMS-4200, iVMS-4500, iVMS-5200, Hik-Connect
Web Browser	IE8+, Chrome41.0-44, Firefox30.0-51, Safari8.0+
<b>Interface</b>	
Audio	1 audio input (line in), 1 audio output (line out), mono soundtrack
Communication Interface	1 RJ45 10M/100M/1000M self-adaptive Ethernet port, 1 RS-485 interface
Alarm	1 alarm input, 1 alarm output (supports max. 24 VDC, 1 A or 110 VAC, 500mA)
On-board storage	Built-in microSD/SDHC/SDXC slot, up to 128 GB <i>*You are recommended to purchase memory card together with the product if needed. After ordering, the memory card will be installed to product during manufacturing.</i>
Video Output	1Vp-p composite output (75 Ω/BNC)
BNC	CVBS analog output (4CIF resolution)
Reset Button	Support
<b>Audio</b>	
Environment Noise Filtering	Yes
Audio Sampling Rate	8 kHz/16 kHz/32 kHz/44.1 kHz/48 kHz
<b>General</b>	
Operating Conditions	-40 °C to +60 °C (-40 °F to +140 °F), humidity 95% or less (non-condensing)
Power Supply	12 VDC ±20%, PoE (802.3af, class 3) Terminal block for DC input
Power Consumption and Current	12 VDC, 0.8 A, max. 10 W PoE (802.3af, 36V to 57V), 0.3 A to 0.2 A, max. 12.5 W
Explosion-Proof	ATEX:  II 2 G D Ex db IIC T6 Gb/Ex tb IIIC T80°C Db IP68 IECEX: Ex db IIC T6 Gb/Ex tb IIIC T80°C Db IP68 For explosive gas atmospheres, the maximum surface temperature is 85°C; For flammable dust atmospheres, the maximum surface temperature is 80°C; IIC: for explosive gas atmospheres other than mines susceptible to firedamp; For explosive gas mixture atmospheres: Zone 1, Zone 2, Zone 21, Zone 22.
Heater	-H: yes
Material	Stainless steel 316L
Dimensions	Camera: Ø138 × 123.4 mm (Ø5.43" × 4.86") Package: 251 × 215 × 189 mm (9.88" × 8.46" × 7.44")

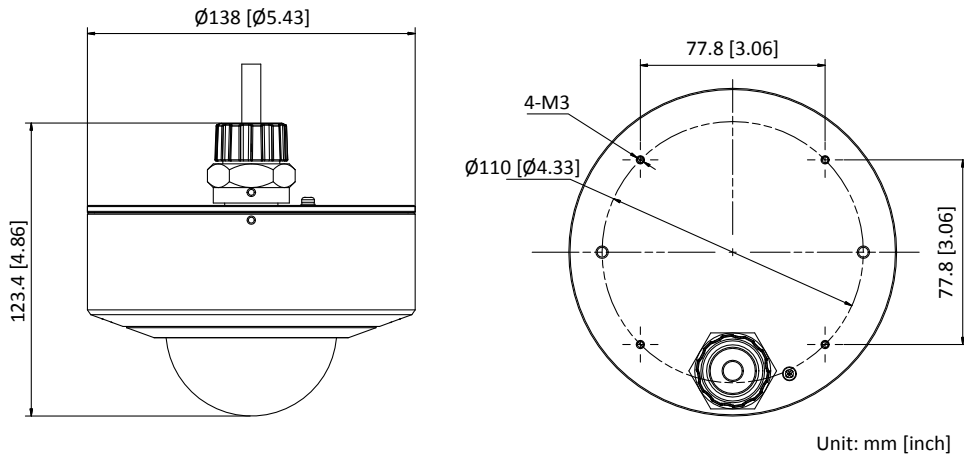
Weight	Camera: Approx. 2.5 kg (5.51 lb.) With package: approx. 3.46 kg (7.63 lb.)
<b>Approval</b>	
EMC	FCC: FCC-SDoC(ANSI C63.4,FCC Part15 sub B) CE: CE-EMC(EN 50130-4:2011+A1:2014,EN 55032:2015,EN 61000-3-2:2014,EN 61000-3-3:2013) RCM: AS/NZS 60950.1:2003 + Am1, Am2 and Am3,AS/NZS CISPR 32:2015 IC: IC-VoC(ICES-003 Issue 7:2020) KC: KN 301489-1,KN 301489-17,RRA NOTICE 2017-14(2017.12.05),RRA NOTICE 2017-19(2017.12.28)
Safety	UL: UL 60950-1:2014,CAN/CSA C22.2 No. 60950-1-07:2014 CB: IEC 60950-1 BIS: IS 13252(Part 1)2010+A1:2013+A2:2015 LOA: SANS IEC60950-1
Chemistry	CE: CE-RoHS(RoHS Directive 2011/65/EU+2015/863)
Protection	IP68 (IEC 60529-2013)

*\*You are recommended to purchase memory card together with the product if needed. After ordering, the memory card will be installed to product during manufacturing.*

**Available Model:**

DS-2XE6146F-HS

**Dimensions**



## Accessory



DS-1696ZJ-X  
Pendant mount-316L



DS-1697ZJ-X  
Wall mount-316L



DS-2781ZJ-X/316L  
Explosion-proof terminal box  
(with power adapter)



DS-2780ZJ-X/316L  
Explosion-proof terminal box  
(no power adapter)



DS-1677ZJ-XS-1.0 (D)  
Flexible conduit

Distributed by



## HIKVISION®

### Headquarters

No.555 Qianmo Road, Binjiang District,  
Hangzhou 310051, China  
T +86-571-8807-5998  
overseasbusiness@hikvision.com

**Hikvision USA**  
T +1-909-895-0400  
sales.usa@hikvision.com

**Hikvision Italy**  
T +39-0438-6902  
info.it@hikvision.com

**Hikvision Singapore**  
T +65-6684-4718  
sg@hikvision.com

**Hikvision Africa**  
T +27 (10) 0351172  
sale.africa@hikvision.com

**Hikvision Europe**  
T +31-23-55-42-770  
info.eu@hikvision.com

**Hikvision France**  
T +33(0)1-85-330-450  
info.fr@hikvision.com

**Hikvision Oceania**  
T +61-2-8599-4233  
salesau@hikvision.com

**Hikvision Hong Kong**  
T +852-2151-1761

**Hikvision Middle East**  
T +971-4-8816086  
salesme@hikvision.com

**Hikvision Spain**  
T +34-91-737-16-55  
info.es@hikvision.com

**Hikvision Canada**  
T +1-909-895-0400  
sales.usa@hikvision.com

**Hikvision Russia**  
T +7-495-669-67-99  
saleru@hikvision.com

**Hikvision Poland**  
T +48-22-460-01-50  
poland@hikvision.com

**Hikvision Korea**  
T +82-31-731-8841  
sales.korea@hikvision.com

**Hikvision India**  
T +91-22-28469900  
sales@pramahikvision.com

**Hikvision UK**  
T +01628-902140  
support.uk@hikvision.com

**Hikvision Brazil**  
T +55 11 3318-0050  
Latam.support@hikvision.com