

ControlCenter CC-3

zone controller

Product Overview

Bose Professional ControlCenter CC-3 zone controllers provide volume control and A/B/C/D source selection for ControlSpace products. They are available in either black or white and fit 1-gang electrical boxes in North America, Europe, and Japan. The zone controllers use an RJ-45 connector and Cat 5 wiring for simplified wiring.

Key Features

ControlCenter Series — Remote end-user interfaces for use with Bose Professional FreeSpace amplifiers, PowerShare amplifiers, and ControlSpace processors. Three control configurations offer volume control (CC-1), volume plus A/B source selection (CC-2) and volume plus A/B/C/D source selection (CC-3).

Variant options — Available in white or black and is offered in North American, Japanese, and EU form-factors to adapt to common electrical box sizes.

Support for Decora®-style wall plates — North American and Japanese models are designed for use with Decora-style wall plate covers (not included). The 86 × 86 mm European model is supplied as a finished wall plate that supports 60 mm screw spacing.

Custom labels — Each zone controller includes a sheet of pre-printed labels, with two blanks for custom labeling.



Applications

- Retail stores
- Restaurants and bars
- Hospitality venues
- Religious and worship facilities
- Auxiliary zones

TECHNICAL DATA

ControlCenter CC-3

zone controller

Technical Specifications

ELECTRICAL	
Connectors	One (1) RJ-45, TIA/EIA 568B wiring standard
Settings	None
Type	Passive controller, linear potentiometer 0–10 kΩ & 4-position switch
Cable Requirement	Cat 5
Maximum Cable Length	152 m (500 ft), using shielded cable 30 m (100 ft), using unshielded cable
PHYSICAL	
Colors	Black or white
Electrical Box Size	1-gang
GENERAL	
Compatible With	ControlSpace ESP-00 II engineered sound processor ControlSpace ESP-880 engineered sound processor ControlSpace ESP-1240 engineered sound processor ControlSpace ESP-4120 engineered sound processor ControlSpace ESP-1600 engineered sound processor
Box Contents	(1) controller (1) color-matched pre-printed label sheet (2) mounting screws (1) installation guide
PRODUCT CODES	
CC-3, US, Black	768941-0110 (CONTROLCENTER CC-3 US BLACK)
CC-3, US, White	768941-0210 (CONTROLCENTER CC-3 US WHITE)
CC-3, EU, Black	768941-2110 (CONTROLCENTER CC-3 EU BLACK)
CC-3, EU, White	768941-2210 (CONTROLCENTER CC-3 EU WHITE)
CC-3, Japan, Black	768941-3110 (CONTROLCENTER CC-3 JP BLACK)
CC-3, Japan, White	768941-3210 (CONTROLCENTER CC-3 JP WHITE)

TECHNICAL DATA

ControlCenter CC-3

zone controller

Controller Panel

Front View

Label area: For preprinted (included) or custom labels.

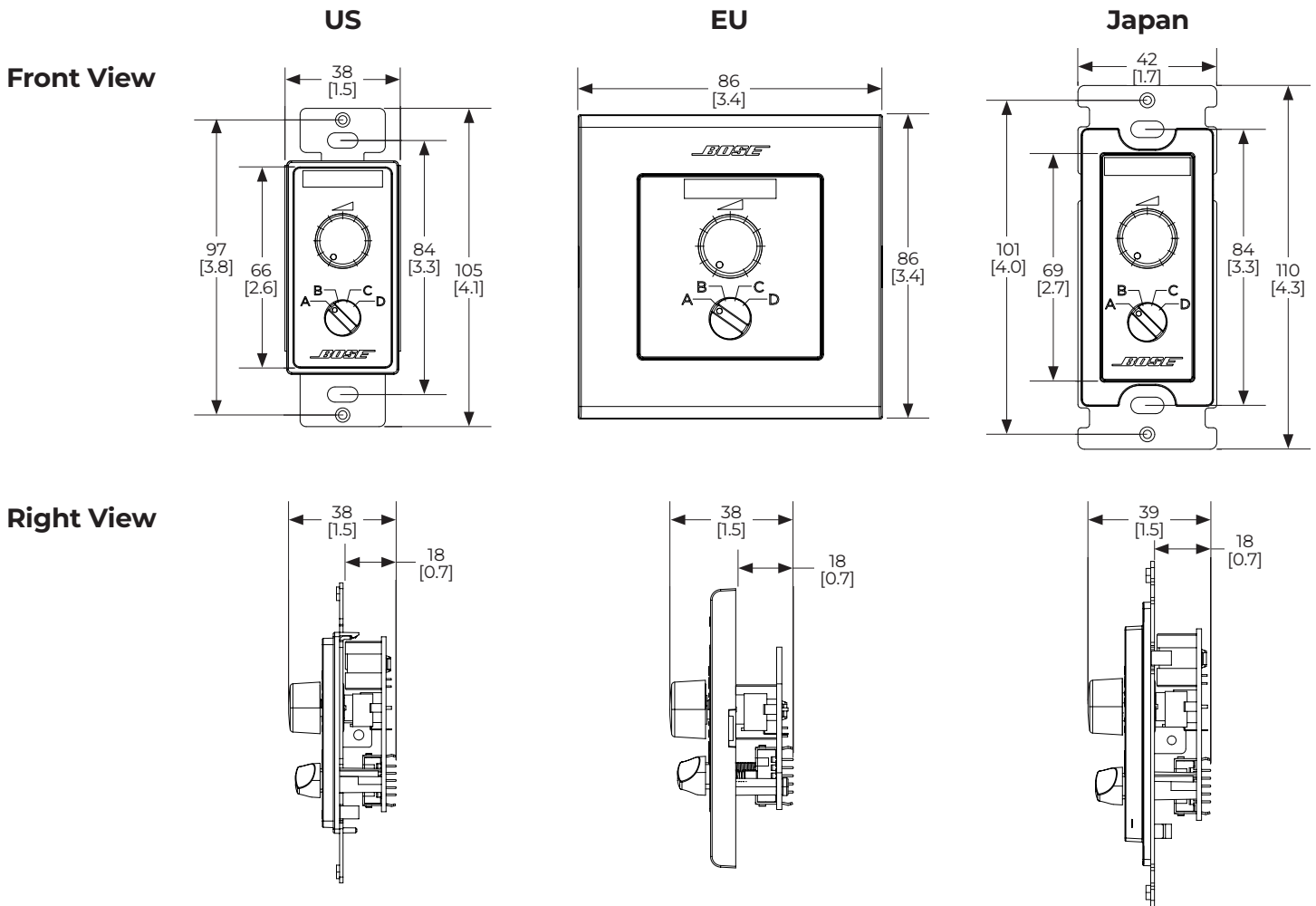
Volume knob: Linear-taper 10 kΩ potentiometer. Full-clockwise is maximum output (0 kΩ), full-counterclockwise is mute (10 Ω).

Source selection switch: Remote switching of A/B/C/D sources.

Rear View

Device connection: RJ-45 connection for use with Cat 5 cable.

Dimensions¹



1. Dimensions are shown in millimeters over inches.

Bose is a trademark of Bose Corporation. ControlSpace and FreeSpace are trademarks of Transom Post OpCo LLC. All other trademarks are the property of their respective owners. ©2023 Transom Post OpCo LLC.

For additional specifications and application information, please visit BoseProfessional.com. Specifications subject to change without notice. 06/2023