

# LightVerse® Fiber Optic Cabling System

## Splice Cassette and Trays

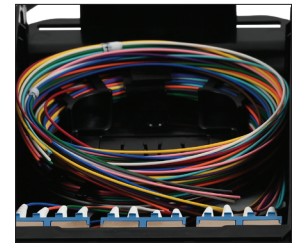
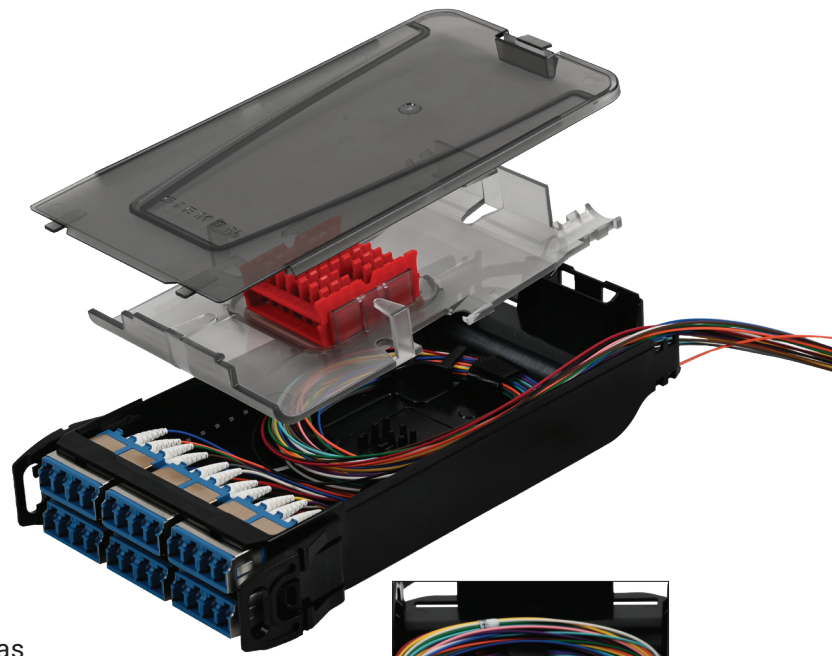
Regional Availability - Global

The Siemon LightVerse system includes support for fiber optic splicing via a splice cassette or splice trays which have been designed with the user in mind, combining innovative functionality with the quality and performance users expect from Siemon.

### LightVerse Splice Cassettes

The LightVerse splice cassettes are a compact design, constructed from a robust translucent material making testing and verification easier, supporting up to 24 fibers per cassette with LC or SC connectors.

Simple usability has been designed in from the start, with each cassette featuring the same integrated front latches as other LightVerse modules, allowing users to easily install and remove them from the front or rear of the enclosure. All cassettes also include an integrated pull tether supporting quick rear removal and arrive pre-loaded with adapters and color-coded pigtailed allowing faster on-site deployment.



#### Shuttered Options

LightVerse modules are available in both LC shuttered and non-shuttered configurations, allowing users to add more protection if required.

#### Multiple Splice Support

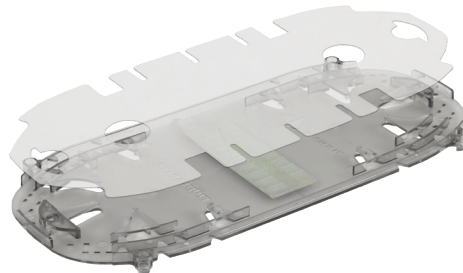
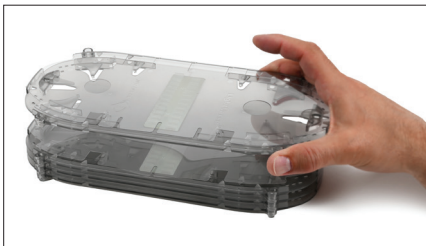
Each LightVerse splice cassette includes an integrated, stackable splice chip which supports both mass fusion and single splices, giving users maximum flexibility.

#### Integrated Storage

LightVerse splice cassettes feature an integrated storage loop with removable separation tray, allowing users to easily manage fiber connections.

### LightVerse Splice Trays

The LightVerse splice trays are a revolutionary design which allows for a 1-to-1 ratio of splices to connectors. Made from robust, translucent plastic, each splice tray can support up to 24 fibers and are also stackable up to 4 times (96 fibers) within a single 1U footprint, providing the scalability and control users need for their needs.



#### Stackable Design

LightVerse splice trays include molded feet allowing them to easily be stacked up to 16 times within a 4U enclosure, allowing users to easily increase splice density as required.

#### Simple Management

Each LightVerse splice tray has multiple tie down points to easily secure transport tubes and offer an optional designation label which can be placed on the cover to help with day-to-day management.

#### Clear Separation

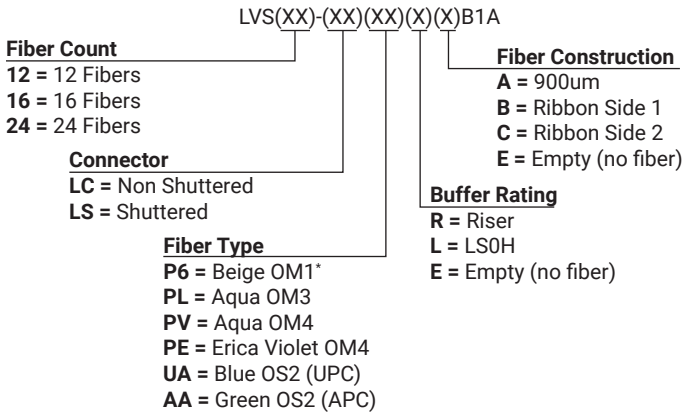
Each LightVerse splice tray features a molded design that supports inbound/outbound fiber, ensuring users can maintain clear separation.

# Ordering Information

## LightVerse® Splice Cassettes

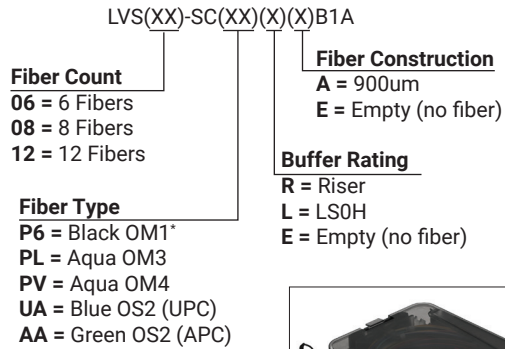
### LC Splice Cassette

Black with ceramic sleeve



### SC Splice Cassette

Black with metallic sleeve



Notes:  
 \*OM1 fiber will all be orange in color.  
 All splice cassettes come with HT sleeves already.

### Performance Specifications

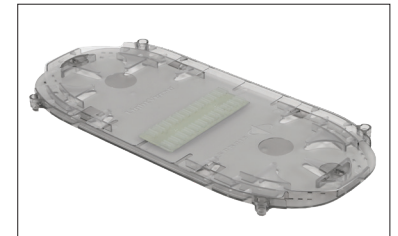
Performance	Max Insertion Loss (dB)		Min. Return Loss (dB)	
	Max	Typical	Max	Typical
62.5	0.50	0.15	15	30
OM3	0.25	0.10	30	35
OM4	0.25	0.10	30	35
Singlemode	0.40	0.10	65	70

### Splice Capacity Chart

Rack Space	1U	2U	4U
Splice Capacity	96	192	384

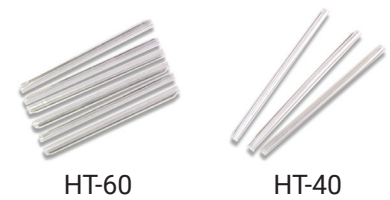
### LightVerse Splice Tray

Part Number	Description
TRAYHD-1-A	Splice Tray, Single Splice, 24 Splices
TRAY-4-R-MFS	Splice Tray, Mass or Ribbon, 6 Splices



### LightVerse Splice Tray Accessories

Part Number	Description
HT-40	40mm single fiber heat shrink sleeve
HT-60	60mm single fiber heat shrink sleeve



Because we continuously improve our products, Siemon reserves the right to change specifications and availability without prior notice.

**North America**  
 P: (1) 860 945 4200

**Mexico**  
 P: (521) 556 387 7708/09/10

**Latin America**  
 P: (571) 657 1950/51/52

**Europe**  
 P: (44) 0 1932 571771

**China**  
 P: (86) 215385 0303

**India, Middle East & Africa**  
 P: (971) 4 3689743

**Asia Pacific**  
 P: (61) 2 8977 7500

**Siemon OEM Technologies**  
 P: (1) 860 945 4213  
[www.siemon.com/OEM](http://www.siemon.com/OEM)