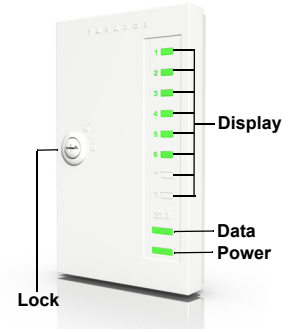


# ZX82

## 8-Zone Input Expansion Module

Installation Manual V1.20 and higher



### Introduction

The ZX82, 8-zone Expansion Module, provides 8 zones input expansion to Paradox panels; connects on the keypad bus of EVO, Spectra, or MG panels. The ZX82 comes with its own tamper-proof enclosure and provides Zone Status LED indicators as well as Power and Data.

### Compatibility

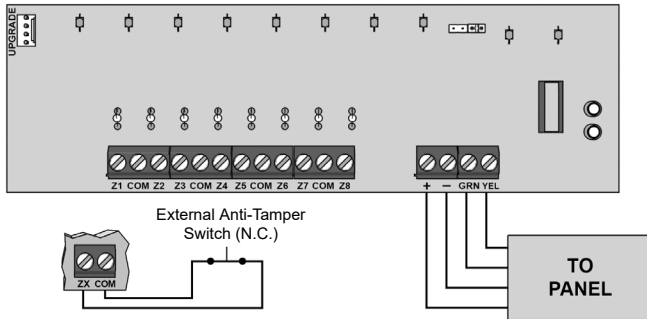
- All Paradox control panels v6.80 or higher
- BabyWare v5.1 and higher
- Infield v5.1 and higher

### Connections

Connect the four bus terminals labeled **+ - GRN YEL** of the module to the corresponding terminals on the control panel as shown.

To enable anti-tamper switch input on EVO, use input terminal Z8 and enable section **[001]** option **[1]**.

To enable anti-tamper switch input on MG/SP, use input terminal Z1 and enable section **[706]** option **[4]** for panel +1, option **[5]** for panel +9 and option **[6]** for panel +17.



### LED Indicators

LED	OFF	ON
POWER	OFF	OK (10.5V to 16V)
RX / TX	No clock or data exchange	Clock and data OK
ZONE1 to ZONE8*	Zone Closed	Zone Opened / Tamper
<b>ATZ Enabled on EVO</b>		
ZONE1 to ZONE8	Both zones connected to this input are Closed	Any Zone connected to this input is Opened / Tamper

\*If control panel has an AC Loss all LEDs are turned off.

### Programming EVO

1. Enter section **[4003]**.
2. Enter the eight-digit module serial number.
3. Enter the three-digit module section number.

### Module Tamper on Input-8

**Section 001** - Bit 1, **0 = Disabled**, 1 = Enabled

Note: If this option is enable the on-board tamper is disabled.

### Input Speed (Base Time Selection)\*

**[002]-[016]** Even Numbered  
(Default = all inputs @ 600ms)

Even numbered sections represent inputs terminals Z1 to Z8. Using **[▼]** and **[▲]** keys. Select a Base Time value from 000 to 002. Press **[ENTER]**.

000= Input Speed is X by 15 milliseconds

001= Input Speed is X by 1 second

002= Input Speed is X by 1 minute

### Input Speed (Time Value)\*

**[003]-[017]** Odd Numbered

Odd numbered sections represent inputs Z1 to Z8. Enter a 3-digit decimal time value (000 to 255). Multiply by the Input Speed.

\* Can only be programmed via a keypad.

### EOL/ATZ per Zone Input

**Section 401** - Zone Input Options

Zone1 / Zone2	Zone3 / Zone4	Zone5 / Zone6	Zone7 / Zone8
$\frac{-}{(0/0)}$	$\frac{-}{(0/0)}$	$\frac{-}{(0/0)}$	$\frac{-}{(0/0)}$

### Zone Input Options Individual Settings

OPTION	DESCRIPTION
0	System default; zone will follow global panel settings for EOL
1	EOL / ATZ disabled
2	EOL enabled / ATZ disabled
3	EOL disabled / ATZ enabled
4	EOL / ATZ enabled

### EOL Resistor Value Selection

**Section 402** - Zone Input Options

Zone1 / Zone2	Zone 3 / Zone4	Zone5 / Zone6	Zone7 / Zone8
$\frac{-}{(0/0)}$	$\frac{-}{(0/0)}$	$\frac{-}{(0/0)}$	$\frac{-}{(0/0)}$

## Zone Input Options Individual Settings

OPTION	EOL Value	Zone Value
0	1K	1K
1	2K2	1K5
2	3K3	3K3
3	4K7	4K7
4	4K7	6K8
5	2K2	4K7
6	8K2	8K2
7	2K2	2K2

## Programming MG/SP

1. Enter section [001] - [032].
2. Enter the two-digit zone definition.
3. Assign a partition.
4. Select or deselect zone options.
5. Press Enter.
6. Repeat steps 1 - 5 for remaining zones.

For more information on how to program zones, please refer to the MG/SP Programming Guide.

## Module Tamper on Input-1

### Section 706 - Panel Programming

Option	Description	Off	ON
4	ZX82 ID A (panel +1) Input 1	Zone input	Tamper input
5	ZX82 ID B (panel + 9) Input 1	Zone input	Tamper input
6	ZX82 ID C (panel + 17) Input 1	Zone input	Tamper input

Note: If this option is enable the on-board tamper is disabled.

## MG/SP Jumper Settings (Panel ATZ Off)

Module # (Jumper)	MG5000	MG5050	SP4000	SP5500	SP6000	SP65	SP7000
+1	3-10	6-13	5-12	6-13	9-16	10-17	17-24
+2	11-18	14-21	13-20	14-21	17-24	18-25	25-32
+3	19-26	22-29	21-28	22-29	25-32	26-32	N/A

## MG/SP Jumper Settings (Panel ATZ On)

Module # (Jumper)	MG5000	MG5050	SP4000	SP5500	SP6000	SP65	SP7000
+1	5-12	11-18	9-16	11-18	17-24	19-26	N/A
+9	13-20	19-26	17-24	19-26	25-32	27-32	N/A
+17	21-28	27-32	25-32	27-32	N/A	N/A	N/A

## Upgrading Firmware

The ZX82's firmware can be upgraded in Infield via BabyWare using a 307USB Direct Connect Interface.

## Technical Specifications

Input Voltage	10.5 to 16 Vdc
Current Consumption	100mA MAX all LEDs On
Number of Inputs	8 standard zone inputs
Operating Temperature	-20 C to +50 C (-4 F to 122 F)
Humidity	95% maximum
Dimensions (H x W x D)	16.5 cm x 10.2 cm x 2.5 cm (6.5 in x 4 in x 1 in)
Certification*	CE, EN 50131-3 Security Grade: 3 Environmental Class: II Certification Body: Applica Test and Certification AS

\* Control Panel shall be certified to EN 50131-6 and used as the power supply for the expansion module. If an external power supply is used, it must be certified for EN 50131-6.

The security grade of the ZX82 is dependent on the security grade of the system where it is installed. The maximum security grade is 3.

### Warranty

For complete warranty information on this product, please refer to the Limited Warranty Statement which can be found on our website: [paradox.com/terms](http://paradox.com/terms) or contact your local distributor. Specifications may change without prior notice.

### Patents

US, Canadian and international patents may apply. Paradox is a trademark or registered trademark of Paradox Security Systems (Bahamas) Ltd.