

## Quick Guide

### 1 Installation

- 1.1 Open the box.
- 1.2 Check the environment.
- 1.3 Install the device.

### 2 Wiring

- 2.1 Door lock wiring.
- 2.2 Door contact wiring.
- 2.3 Exit button wiring.
- 2.4 Wiegand wiring.
- 2.5 RS-485 wiring.
- 2.6 Alarm in/out wiring.

### 3 Activation

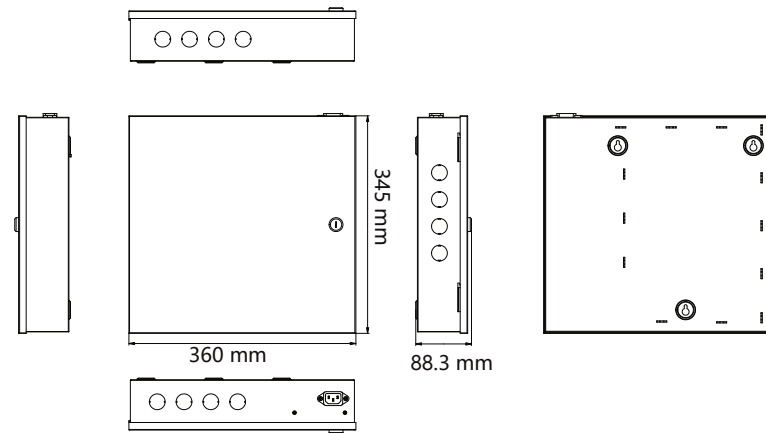
Activate the device.

### 4 Other Operations

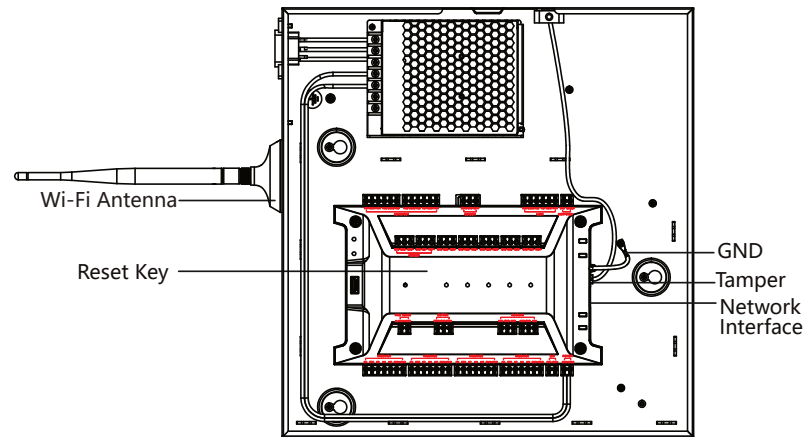
- 4.1 Hardware Initialization.
- 4.2 Relay NO/NC.

## Device Appearance and Interface

### Dimension

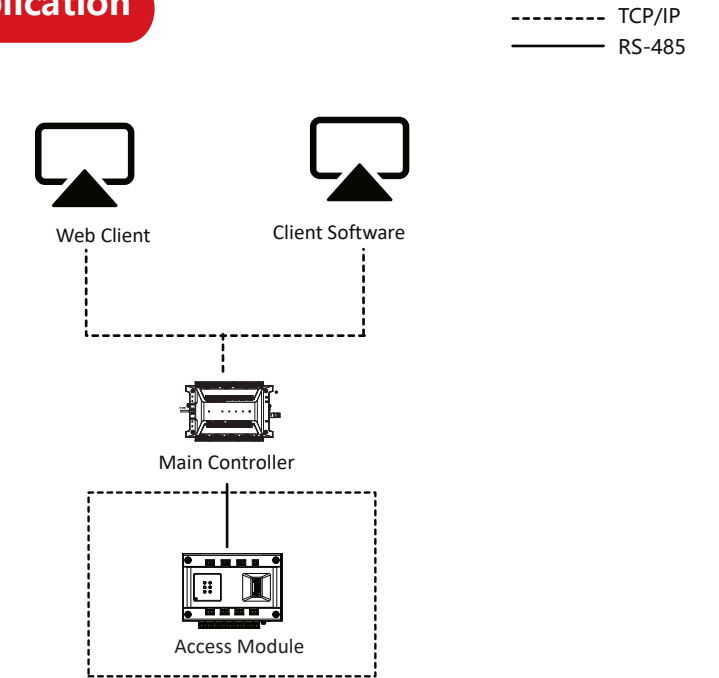


### Interface



- Only partial devices support Wi-Fi antenna and POE.
- You should pay attention to the following matters of device with POE function :
  1. The switch specification is 30 W.
  2. POE power supply function and Wi-Fi function cannot be used at the same time.
  3. If the total power of the connected locks exceeds 10W, additional separate power supply is required for one of the locks.
  4. It supports access to up to four card reader devices.

## Typical Application

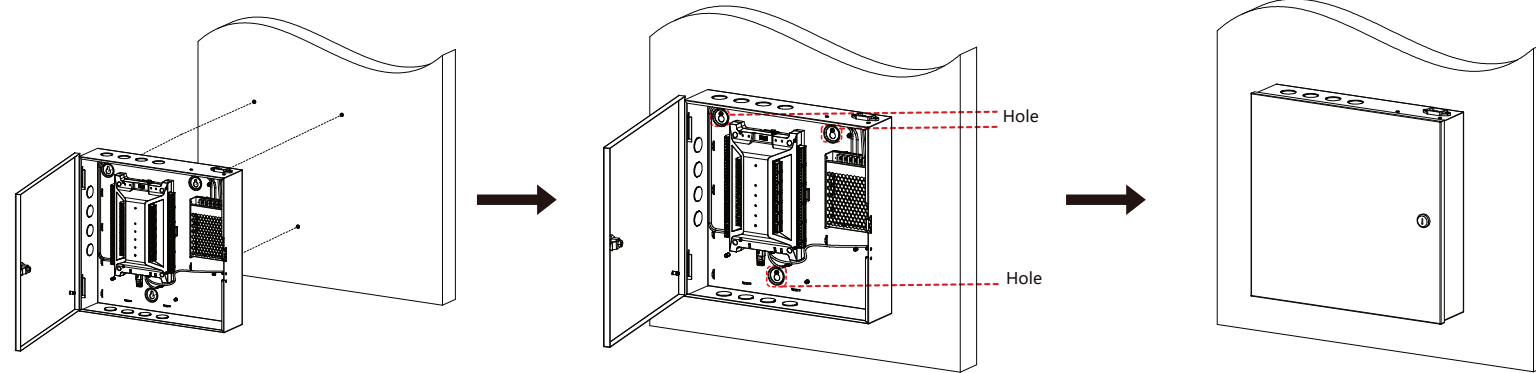


Please refer to user manual for more details.

## 1 Installation

### Installation Environment:

- Indoor use only.
- The minimum bearing weight of the wall or other places should be 3 times heavier than the device weight.



1 Fix 3 SC-KA4X45 screws to the wall, and 3 to 5 mm thread should be reserved on the top of the screw (to facilitate subsequent hanging of the chassis).

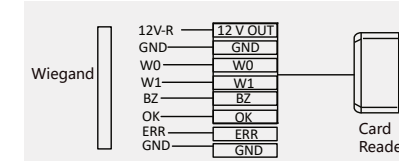
2 Open the chassis cover and press the holes on the chassis body with the screws reserved on the wall. Then attach the chassis from top to bottom onto the screws.

3 Insert the antenna holder into the antenna interface, and rotate and tighten. Close the chassis cover to complete the installation.

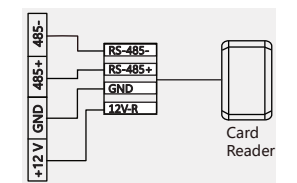
## 2 Wiring

### Device Wiring

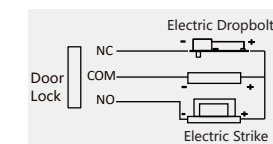
#### ● Wiegand Wiring



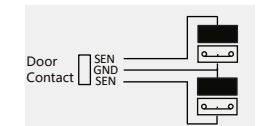
#### ● RS-485 Wiring



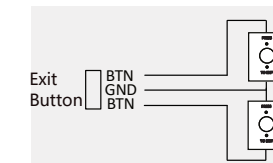
#### ● Door Lock Wiring



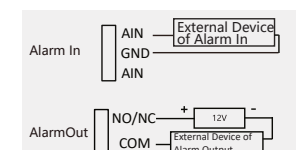
#### ● Door Contact Wiring



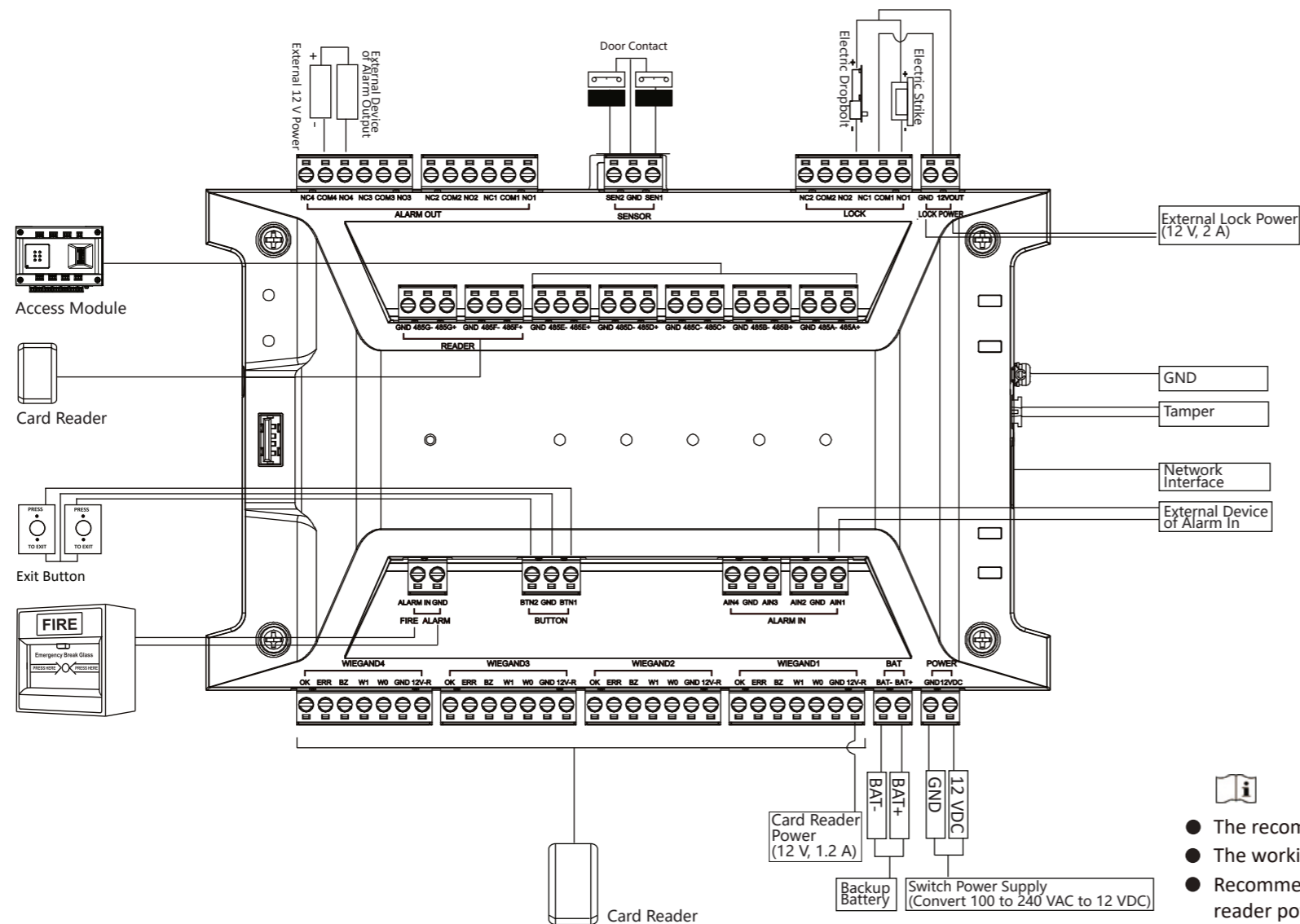
#### ● Exit Button Wiring



#### ● Alarm in/out Wiring



## 2 Wiring



- The recommended specification for the accumulator (optional) is 12 V, 7 Ah.
- The working temperature of the accumulator is 0 °C~40 °C.
- Recommended specifications of cable: door lock power supply: AWG18; Card reader power supply: AWG20; Other cables: AWG22.

**About this Document**

- This Document includes instructions for using and managing the Product. Pictures, charts, images and all other information hereinafter are for description and explanation only.
- The information contained in the Document is subject to change, without notice, due to firmware updates or other reasons. Please find the latest version of the Document at the Hikvision website (<https://www.hikvision.com>). Unless otherwise agreed, Hangzhou Hikvision Digital Technology Co., Ltd. or its affiliates (hereinafter referred to as "Hikvision") makes no warranties, express or implied.
- Please use the Document with the guidance and assistance of professionals trained in supporting the Product.

**About this Product**

This product can only enjoy the after-sales service support in the country or region where the purchase is made.

**Acknowledgment of Intellectual Property Rights**

- Hikvision owns the copyrights and/or patents related to the technology embodied in the Products described in this Document, which may include licenses obtained from third parties.
- Any part of the Document, including text, pictures, graphics, etc., belongs to Hikvision. No part of this Document may be excerpted, copied, translated, or modified in whole or in part by any means without written permission.
- **HIKVISION** and other Hikvision's trademarks and logos are the properties of Hikvision in various jurisdictions.
- Other trademarks and logos mentioned are the properties of their respective owners.

**LEGAL DISCLAIMER**

● TO THE MAXIMUM EXTENT PERMITTED BY APPLICABLE LAW, THIS DOCUMENT AND THE PRODUCT DESCRIBED, WITH ITS HARDWARE, SOFTWARE AND FIRMWARE, ARE PROVIDED "AS IS" AND "WITH ALL FAULTS AND ERRORS". HIKVISION MAKES NO WARRANTIES, EXPRESS OR IMPLIED, INCLUDING WITHOUT LIMITATION, MERCHANTABILITY, SATISFACTORY QUALITY, OR FITNESS FOR A PARTICULAR PURPOSE. THE USE OF THE PRODUCT BY YOU IS AT YOUR OWN RISK. IN NO EVENT WILL HIKVISION BE LIABLE TO YOU FOR ANY SPECIAL, CONSEQUENTIAL, INCIDENTAL, OR INDIRECT DAMAGES, INCLUDING, AMONG OTHERS, DAMAGES FOR LOSS OF BUSINESS PROFITS, BUSINESS INTERRUPTION, OR LOSS OF DATA, CORRUPTION OF SYSTEMS, OR LOSS OF DOCUMENTATION, WHETHER BASED ON BREACH OF CONTRACT, TORT (INCLUDING NEGLIGENCE), PRODUCT LIABILITY, OR OTHERWISE, IN CONNECTION WITH THE USE OF THE PRODUCT, EVEN IF HIKVISION HAS BEEN ADVISED OF THE POSSIBILITY OF SUCH DAMAGES OR LOSS.

● YOU ACKNOWLEDGE THAT THE NATURE OF THE INTERNET PROVIDES FOR INHERENT SECURITY RISKS, AND HIKVISION SHALL NOT TAKE ANY RESPONSIBILITIES FOR ABNORMAL OPERATION, PRIVACY LEAKAGE OR OTHER DAMAGES RESULTING FROM CYBER-ATTACK, HACKER ATTACK, VIRUS INFECTION, OR OTHER INTERNET SECURITY RISKS; HOWEVER, HIKVISION WILL PROVIDE TIMELY TECHNICAL SUPPORT IF REQUIRED.

● YOU AGREE TO USE THIS PRODUCT IN COMPLIANCE WITH ALL APPLICABLE LAWS, AND YOU ARE SOLELY RESPONSIBLE FOR ENSURING THAT YOUR USE CONFORMS TO THE APPLICABLE LAW. ESPECIALLY, YOU ARE RESPONSIBLE, FOR USING THIS PRODUCT IN A MANNER THAT DOES NOT INFRINGE ON THE RIGHTS OF THIRD PARTIES, INCLUDING WITHOUT LIMITATION, RIGHTS OF PUBLICITY, INTELLECTUAL PROPERTY RIGHTS, OR DATA PROTECTION AND OTHER PRIVACY RIGHTS. YOU SHALL NOT USE THIS PRODUCT FOR ANY PROHIBITED END-USES, INCLUDING THE DEVELOPMENT OR PRODUCTION OF WEAPONS OF MASS DESTRUCTION, THE DEVELOPMENT OR PRODUCTION OF CHEMICAL OR BIOLOGICAL WEAPONS, ANY ACTIVITIES IN THE CONTEXT RELATED TO ANY NUCLEAR EXPLOSIVE OR UNSAFE NUCLEAR FUEL-CYCLE, OR IN SUPPORT OF HUMAN RIGHTS ABUSES.

● IN THE EVENT OF ANY CONFLICTS BETWEEN THIS DOCUMENT AND THE APPLICABLE LAW, THE LATTER PREVAILS.

**Data Protection**

- To protect data, the development of Hikvision Products incorporates privacy by design principles. For example, for Products with facial recognition features, biometrics data is stored in your Products with encryption method; for fingerprint Products, only fingerprint template will be saved, which is impossible to reconstruct a fingerprint image.
- As a data controller/processor, you may process personal data, including collection, storage, use, processing, disclosure, deletion, etc. You are advised to pay attention to and comply with applicable laws and regulations related to the protection of personal data, including without limitation, conducting security controls to safeguard personal data, such as, implementing reasonable administrative and physical security controls, conduct periodic reviews and the assessments of the effectiveness of your security controls.

© Hangzhou Hikvision Digital Technology Co., Ltd. All rights reserved.

Scan the QR code to get the user manual for detailed information.



## 3 Activation

You are required to activate the control panel first before you can use the control panel. Activation via SADP, and activation via web are supported. The default values of the terminal are as follows:

- The default IP address: 192.0.0.64
- The default port No.: 80; 443
- The default user name: admin

- **Activate Device via Web Browser**
  1. Enter the device IP address in the web browser (192.0.0.64).
  2. Create a password in the pop-up window.
  3. Confirm the password, and activate the device.

📖 Make sure the IP segment of the device and the computer is the same.

**STRONG PASSWORD RECOMMENDED**

We highly recommend you create a strong password of your own choosing (using a minimum of 8 characters, including upper case letters, lower case letters, numbers, and special characters) in order to increase the security of your product. And we recommend you reset your password regularly, especially in the high security system, resetting the password monthly or weekly can better protect your product.

## 4 Other Operations

- **Hardware Initialization**  
Hold the restore button for 5s to initialize the hardware.
- **Fire Relay NO/NC**  
📖 This operation requires disassembling the upper and lower shells of the device, which is recommended by a professional.

