

***HIKVISION***

# Network Camera

## Quick Start Guide



















User Manual

# Table of Contents

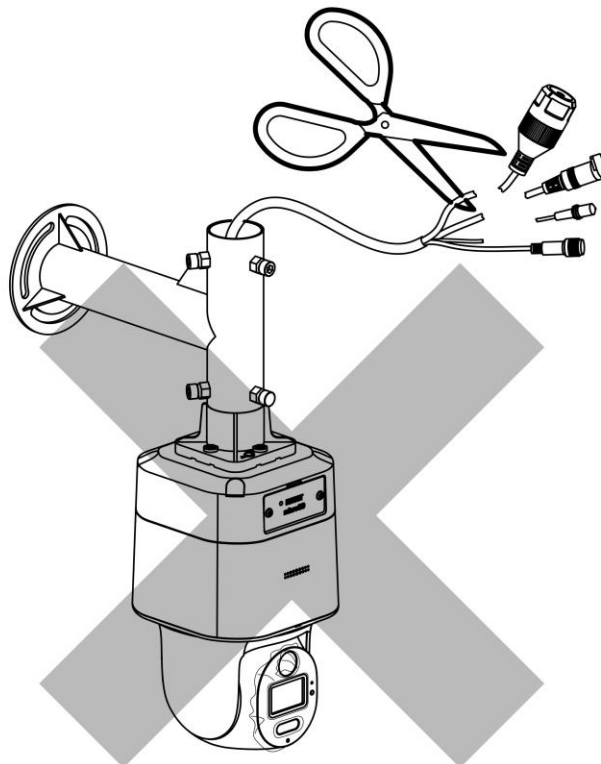
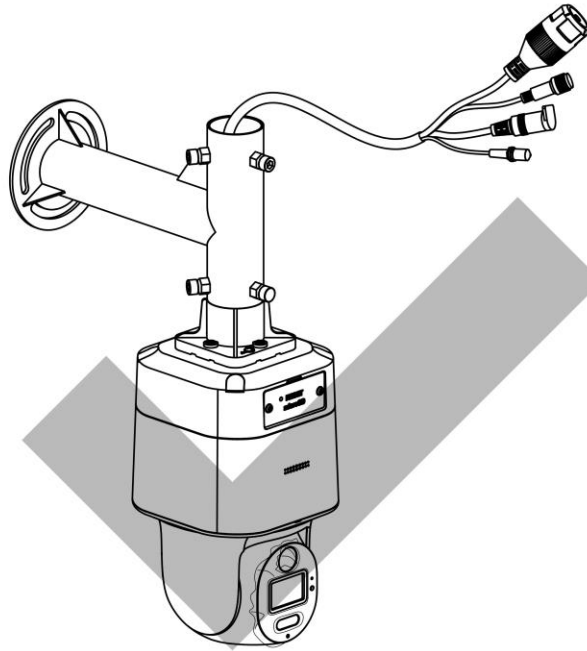
<i>English</i> .....	22
<i>Français</i> .....	24
<i>Deutsch</i> .....	26
<i>Español</i> .....	28
<i>Italiano</i> .....	30
<i>Português</i> .....	32
<i>Nederlands</i> .....	34
<i>Čeština</i> .....	35
<i>Dansk</i> .....	37
<i>Magyar</i> .....	39
<i>Polski</i> .....	41
<i>Română</i> .....	42
<i>Slovenčina</i> .....	44
<i>Bahasa Indonesia</i> .....	46
🇮🇩 .....	48
<i>Türkçe</i> .....	50
<i>Русский</i> .....	52
<i>Українська</i> .....	54
<i>العربية</i> .....	56

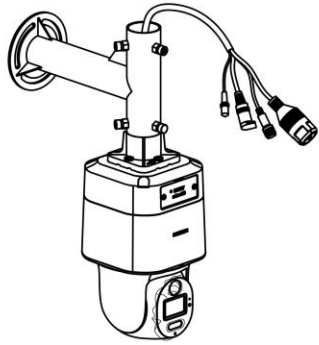
## Symbols and Marks

	Notice		<ul style="list-style-type: none"> <li>i. Not necessarily included accessory.</li> <li>ii. Variable accessory amount.</li> <li>iii. Skip this step if not required.</li> </ul>
	Warning	microSD 	MicroSD card
	Forbidden		Purchase separately
	Correct		Disposal
	Incorrect		Functional grounding
	Turn to page A and continue.		Grounding
	Other situations		Skip this step if not necessary
	Waterproof		Other situations omitted

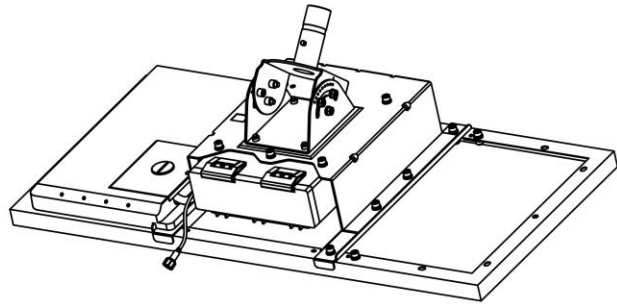
## Activate and Access Network Camera



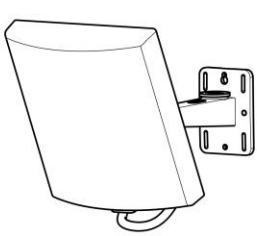




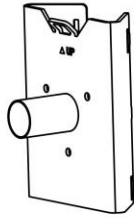
1x



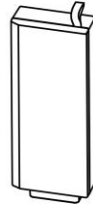
1x



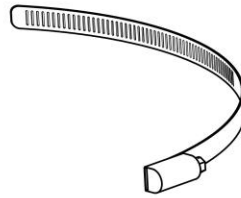
1x



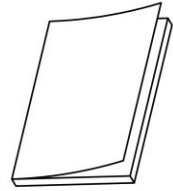
1x



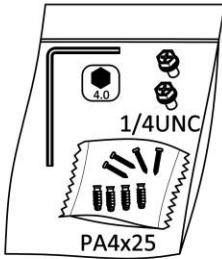
2x



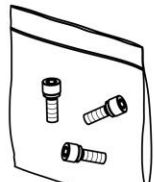
4x



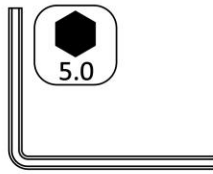
2x\*



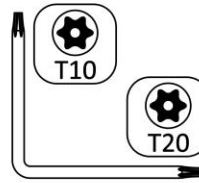
1x



1x



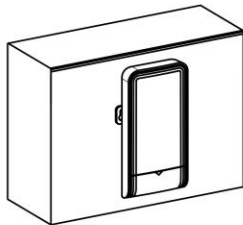
1x



1x



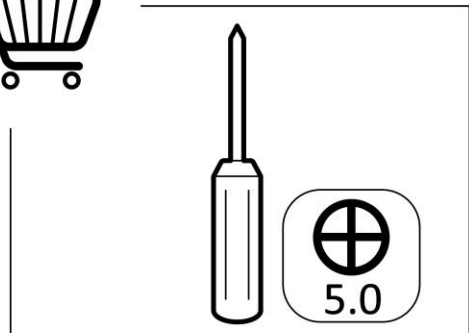
1x

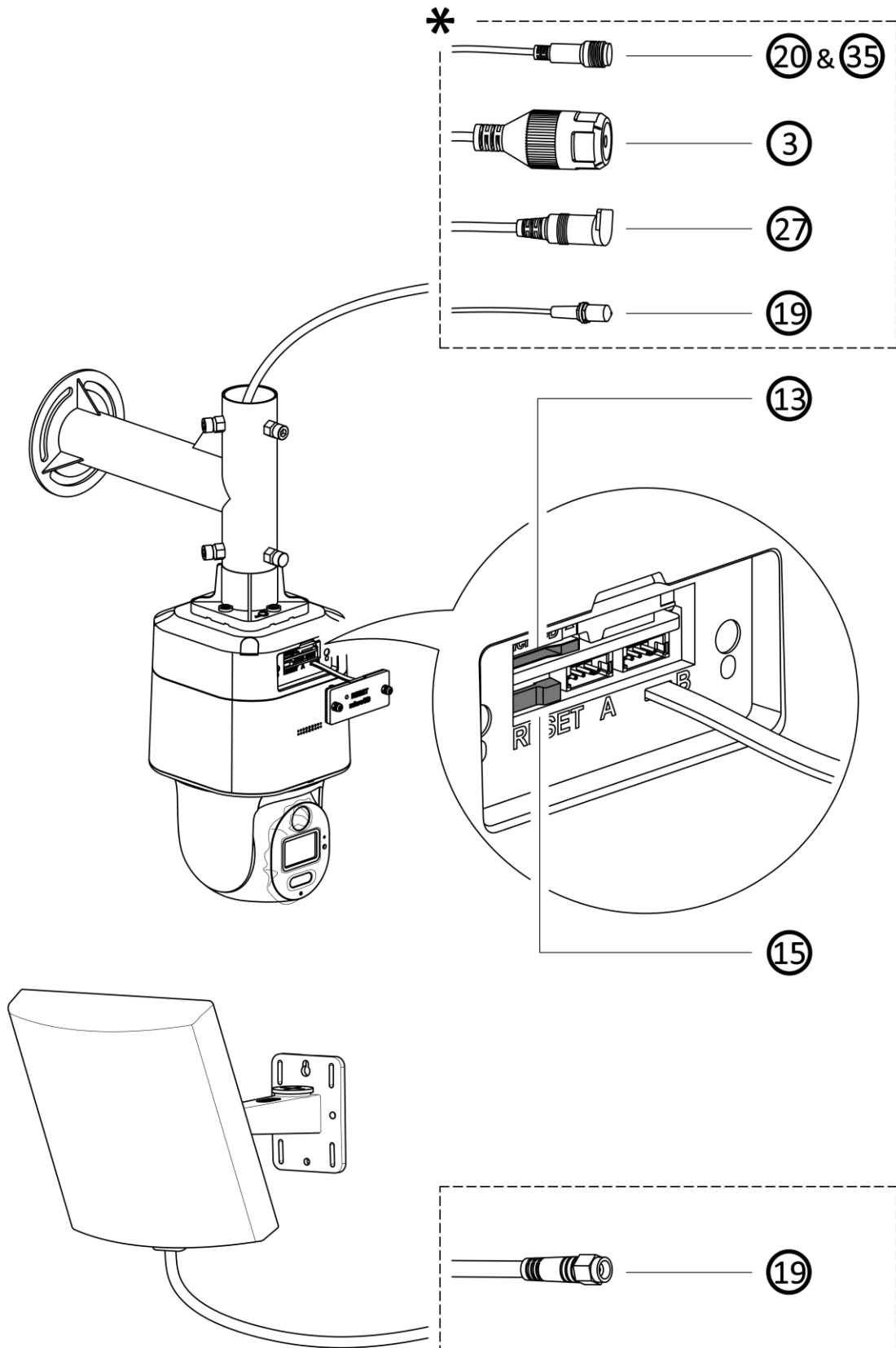


1x

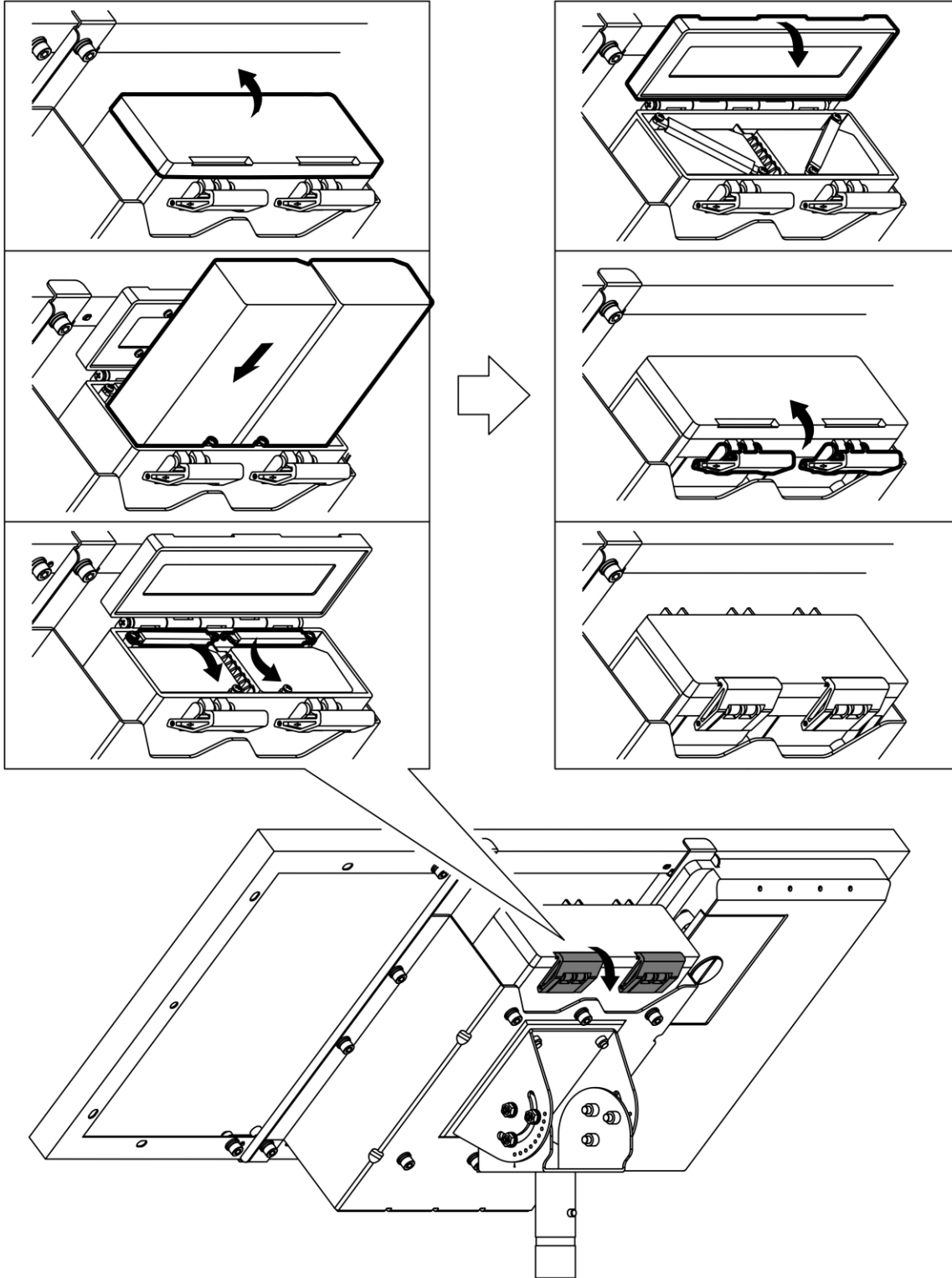


3x

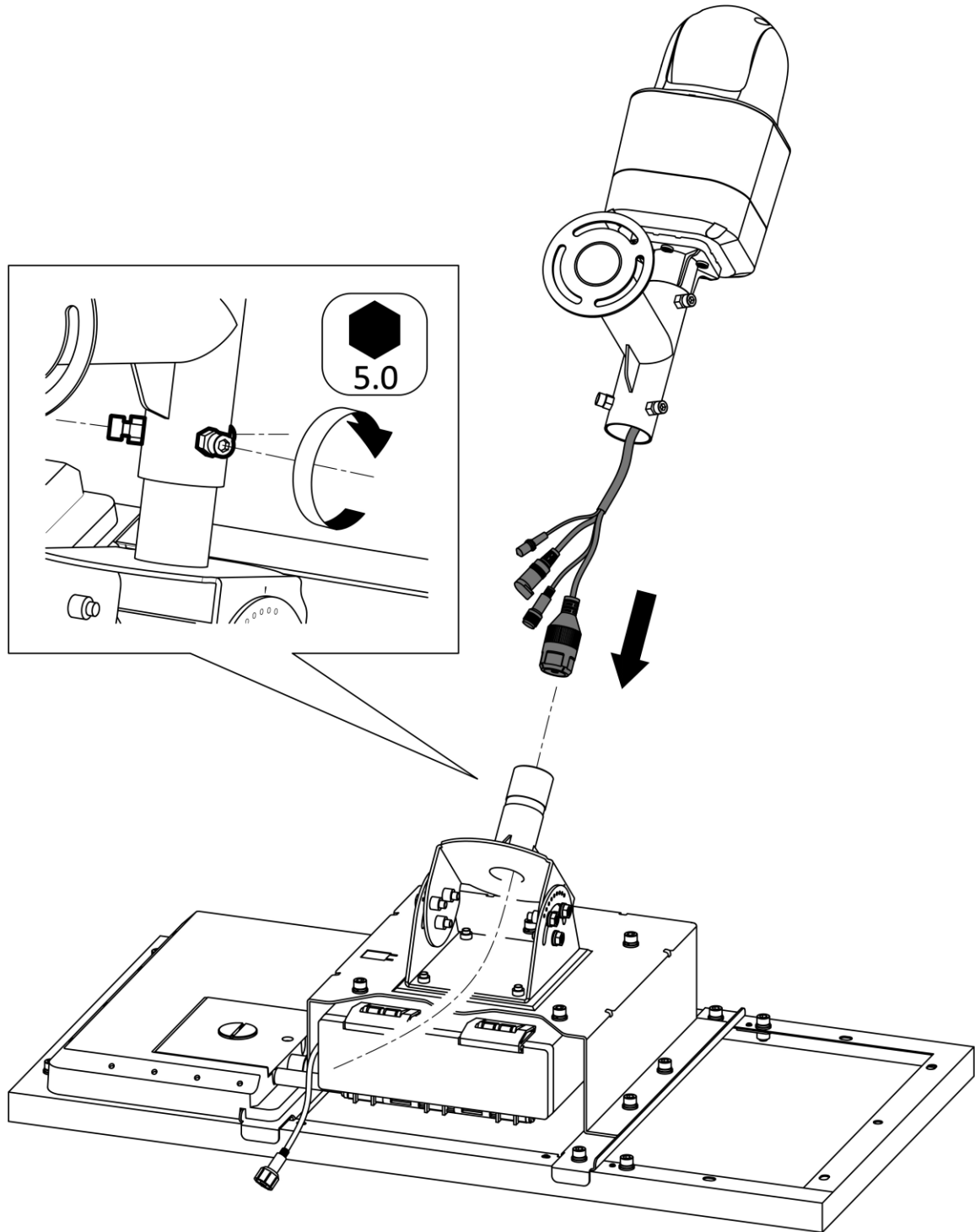




# 1.1

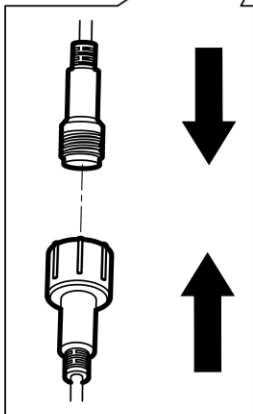
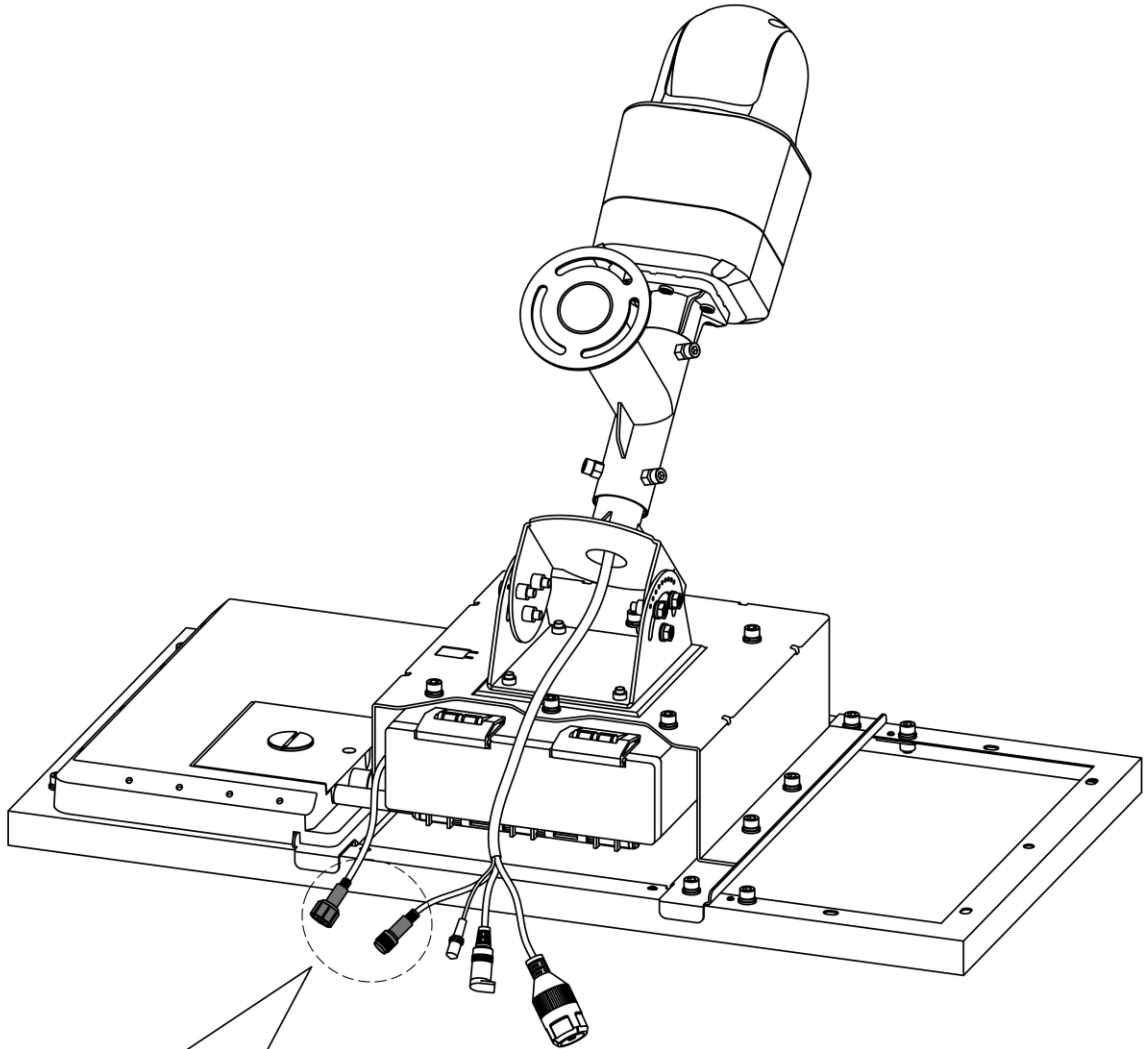


# 1.2

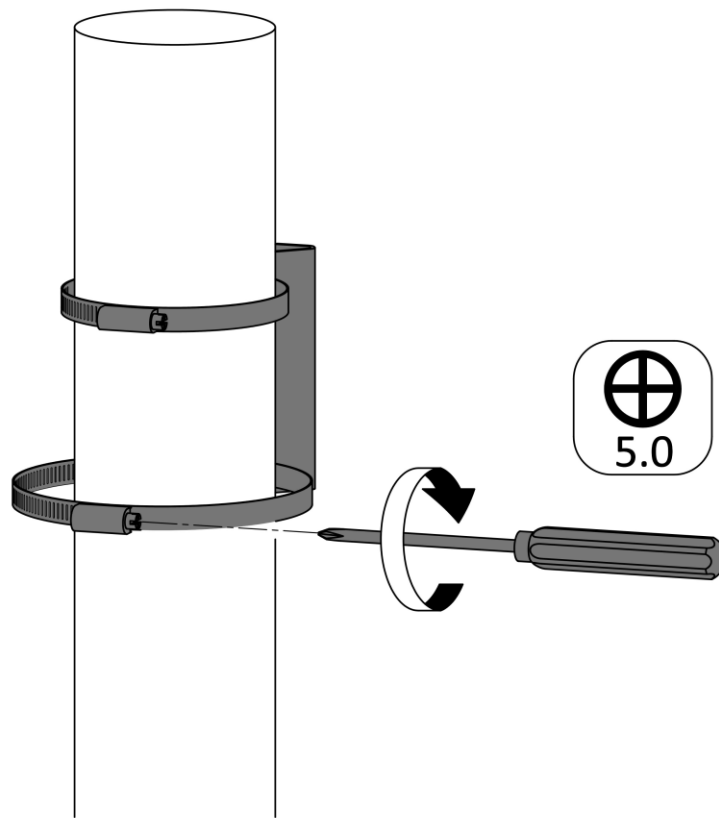
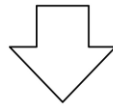
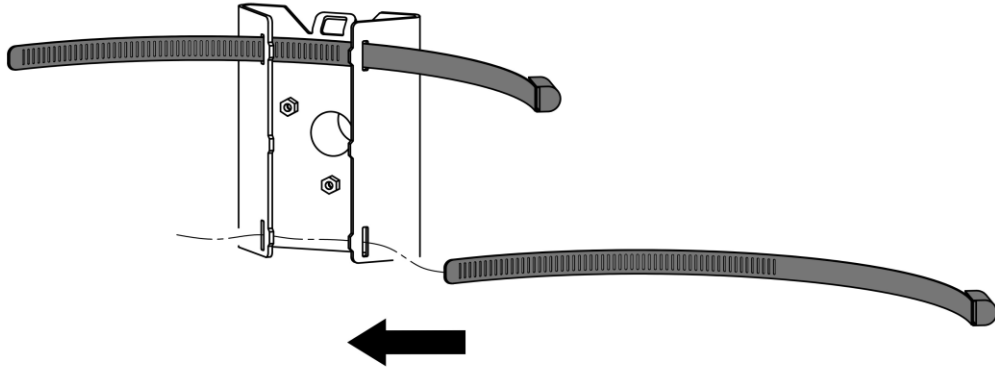




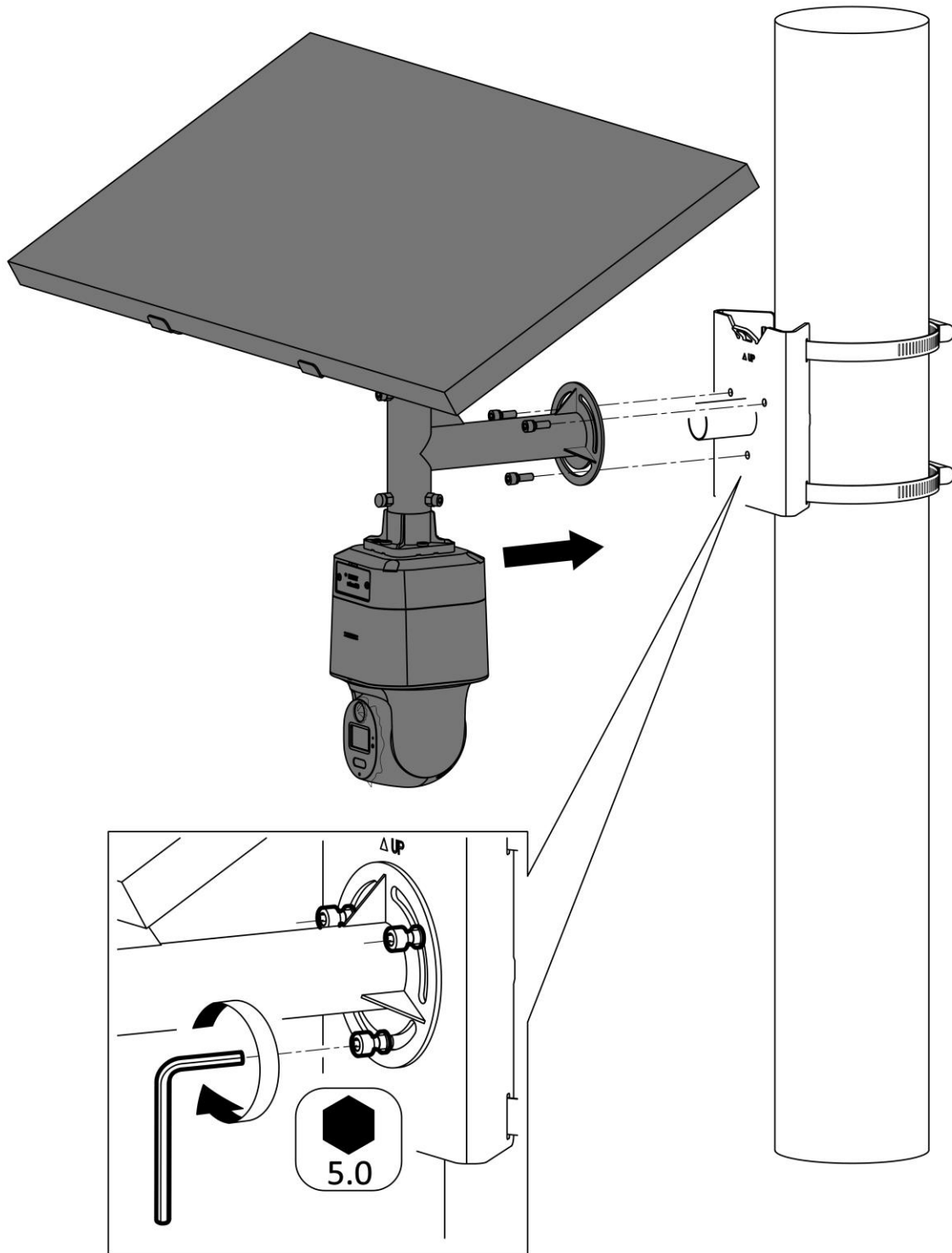
# 1.3



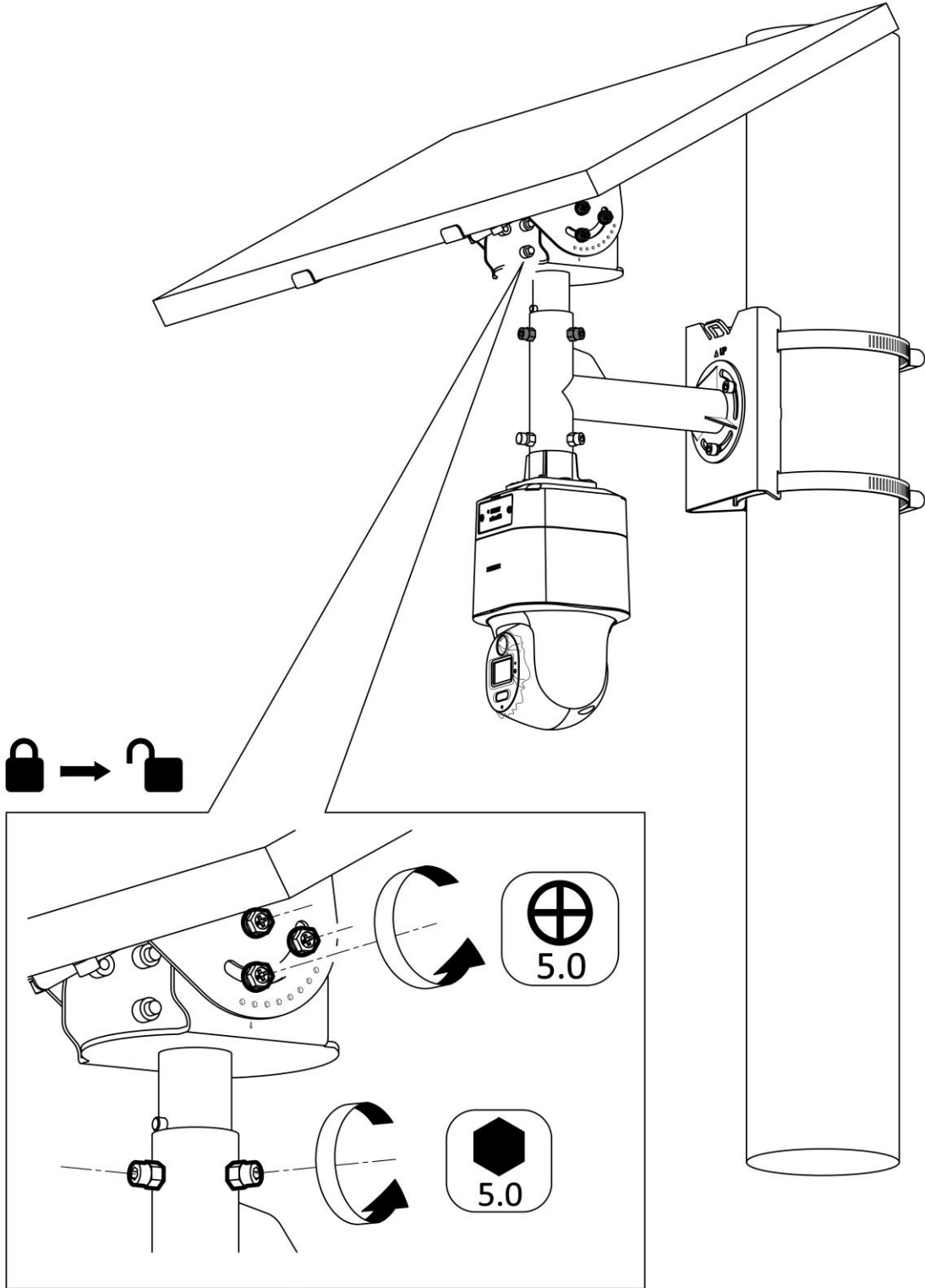
# 2.1



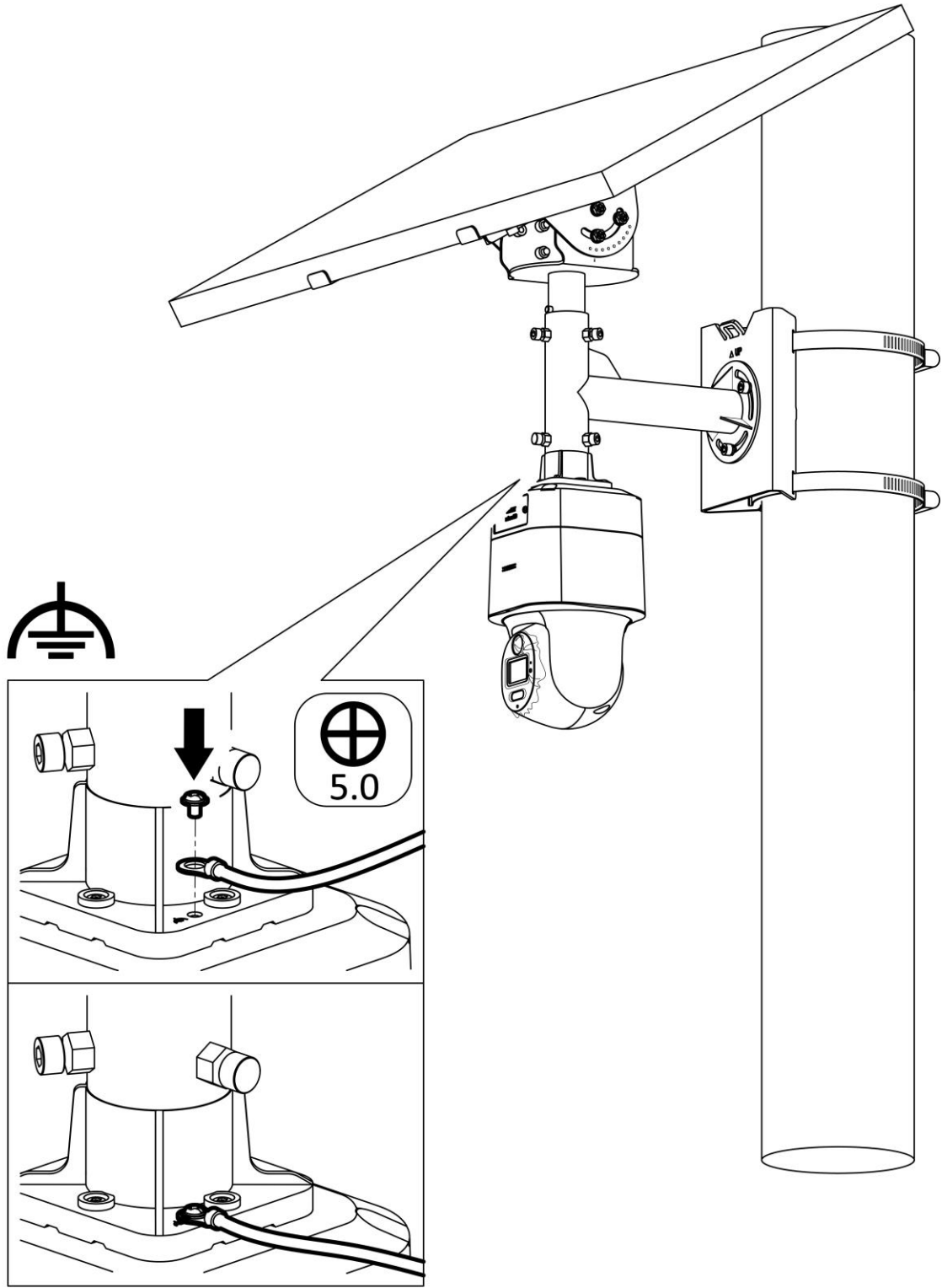
## 2.2



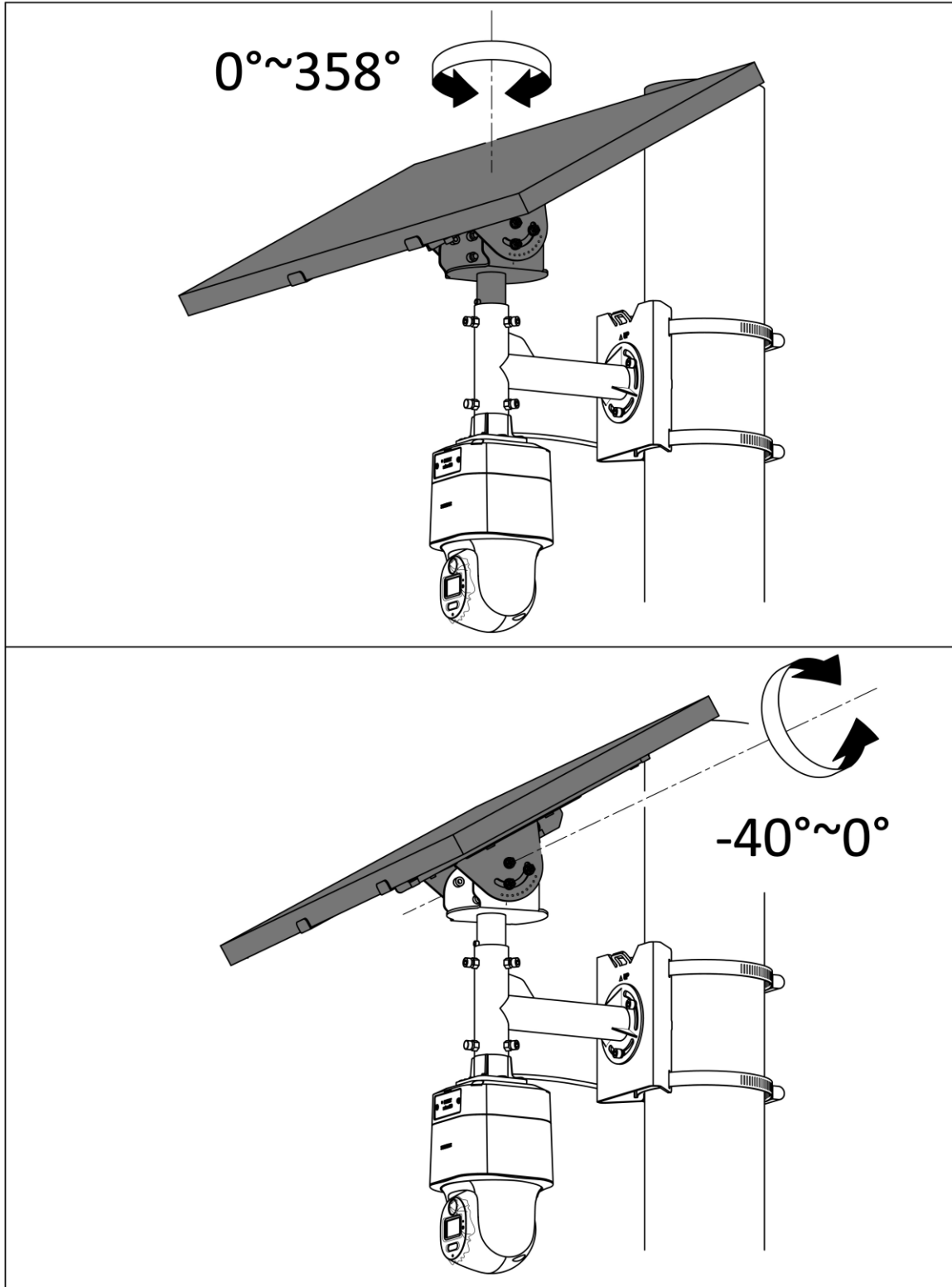
# 2.3



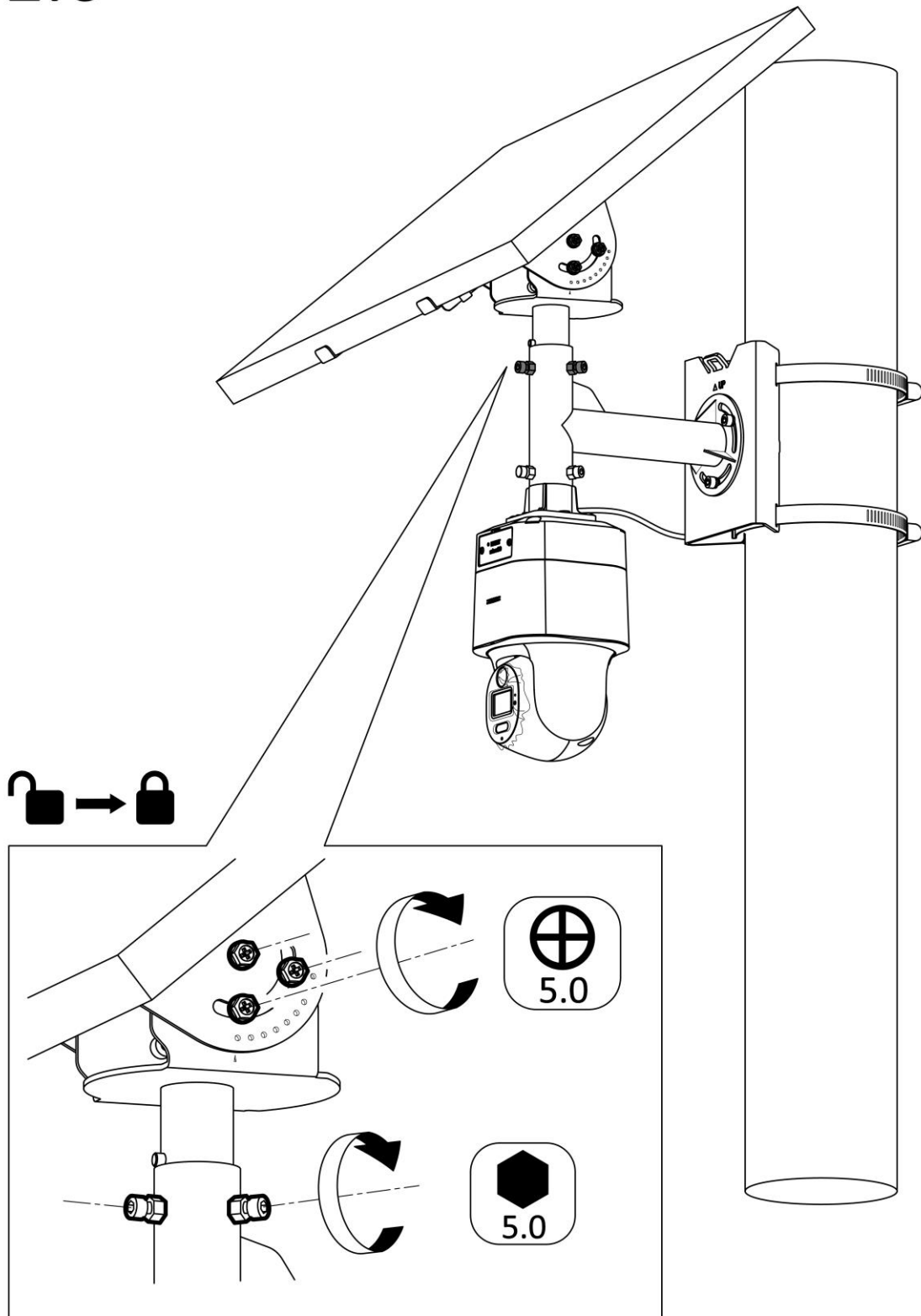
# 2.4



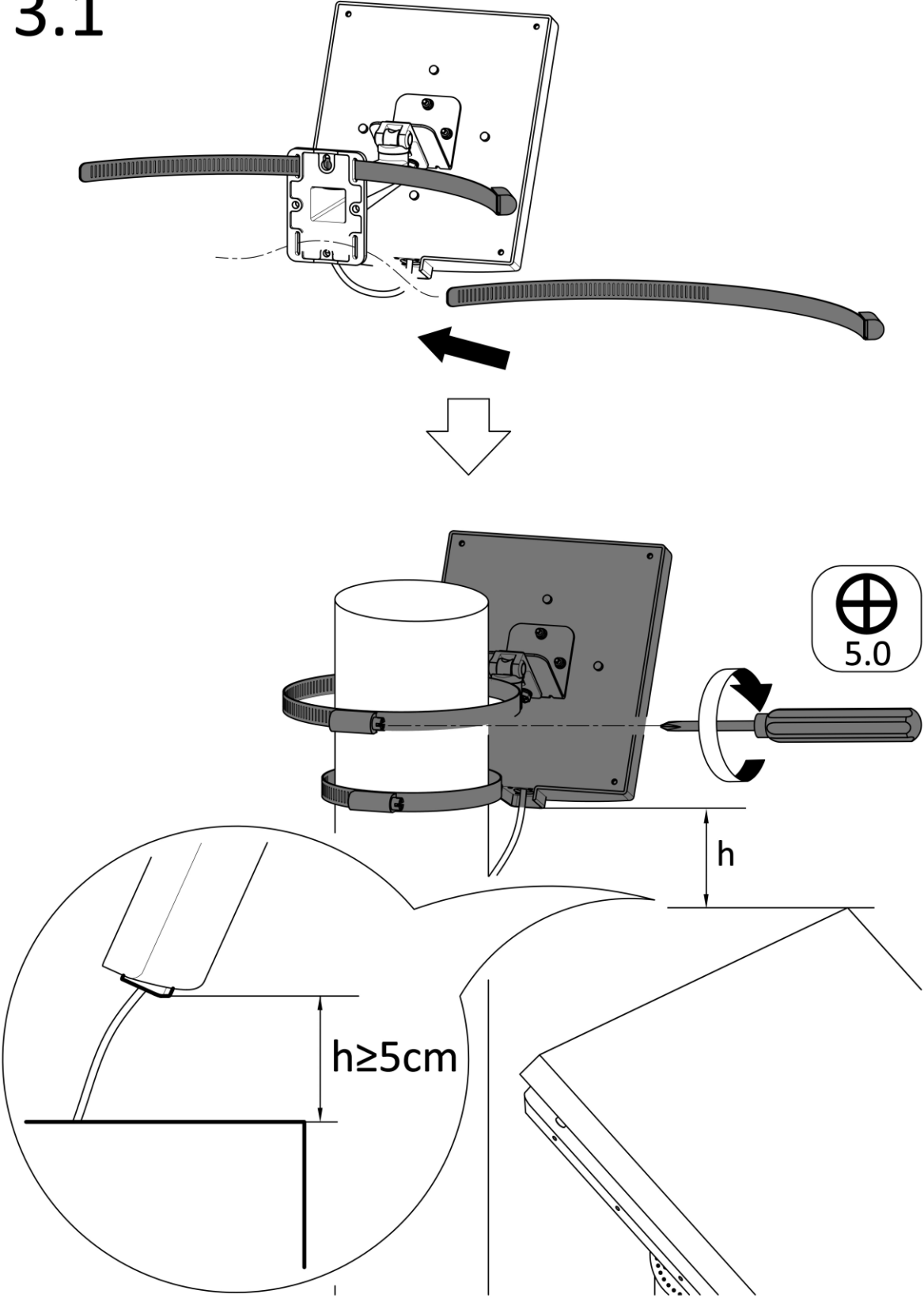
## 2.5



# 2.6

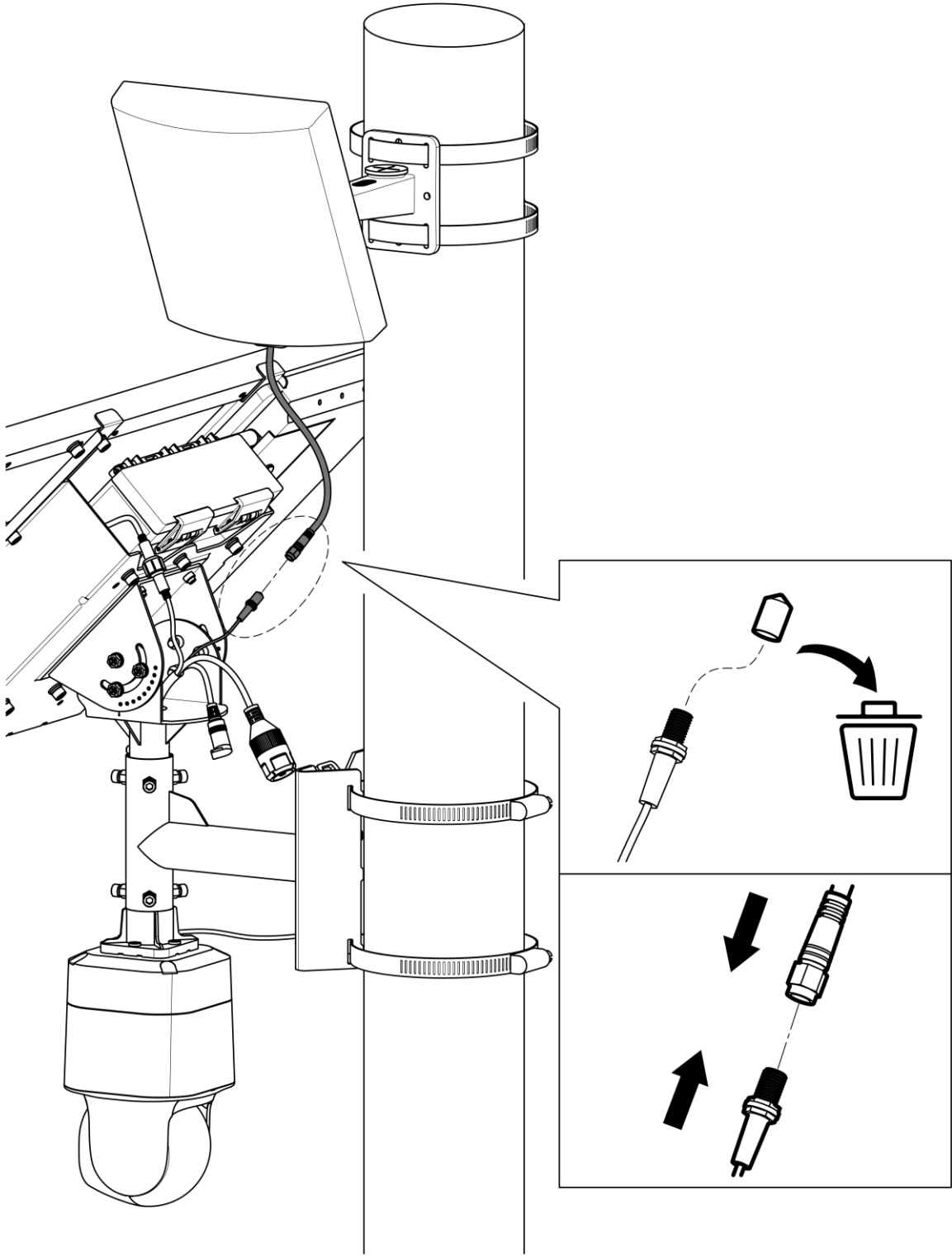


# 3.1

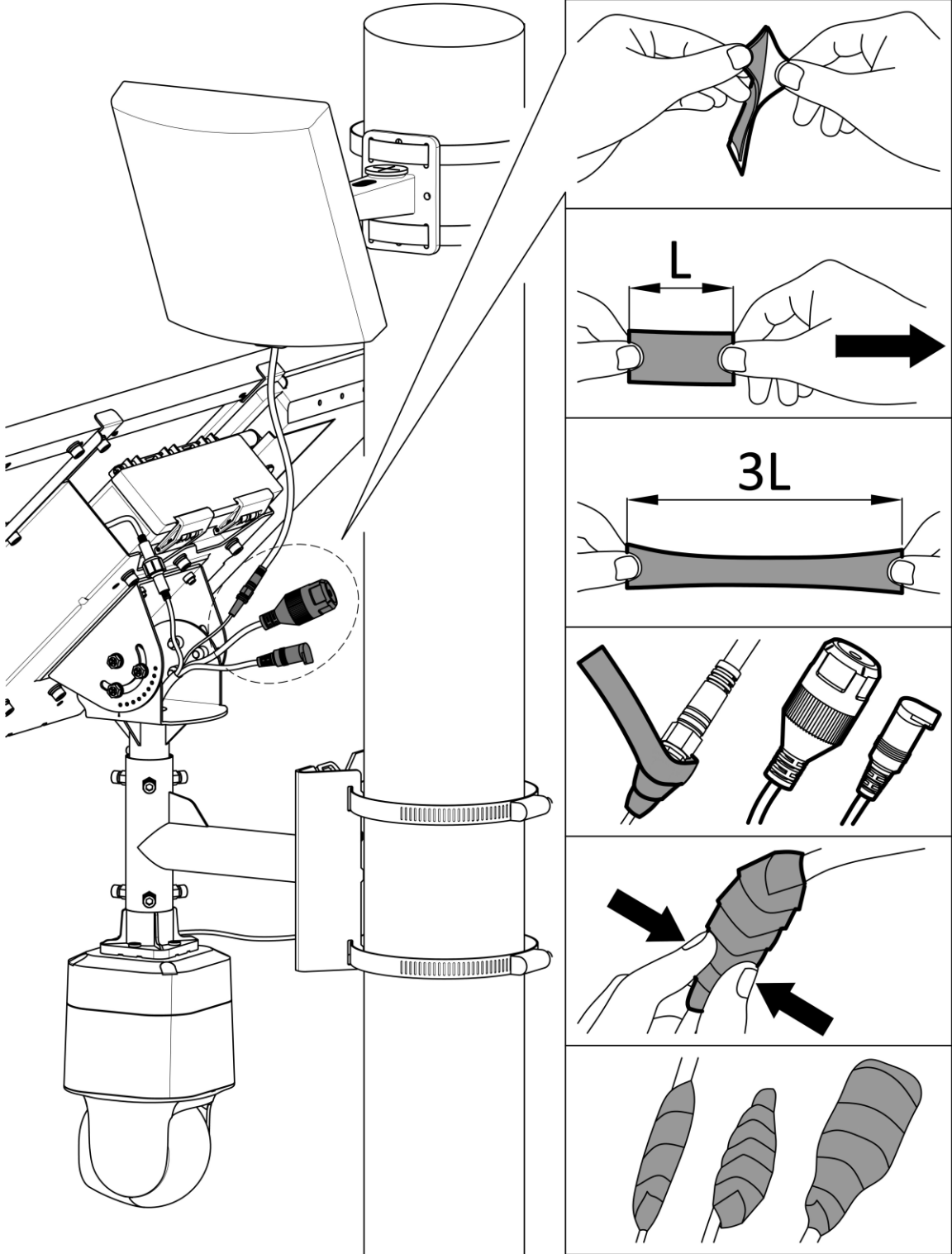




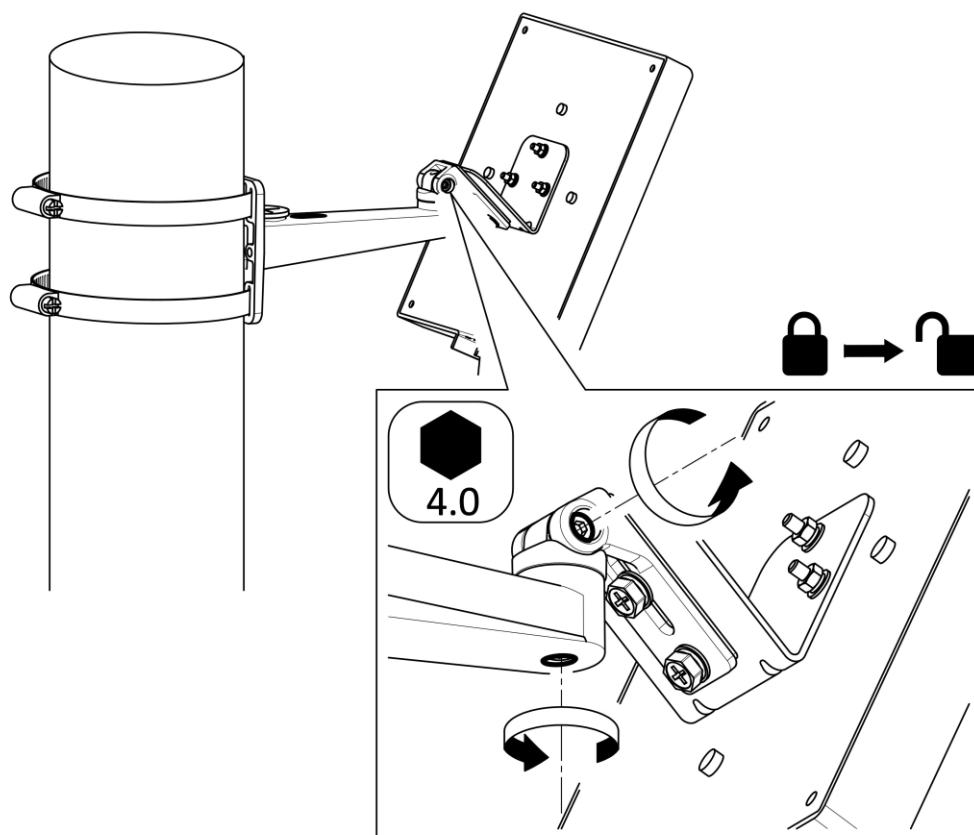
# 3.2



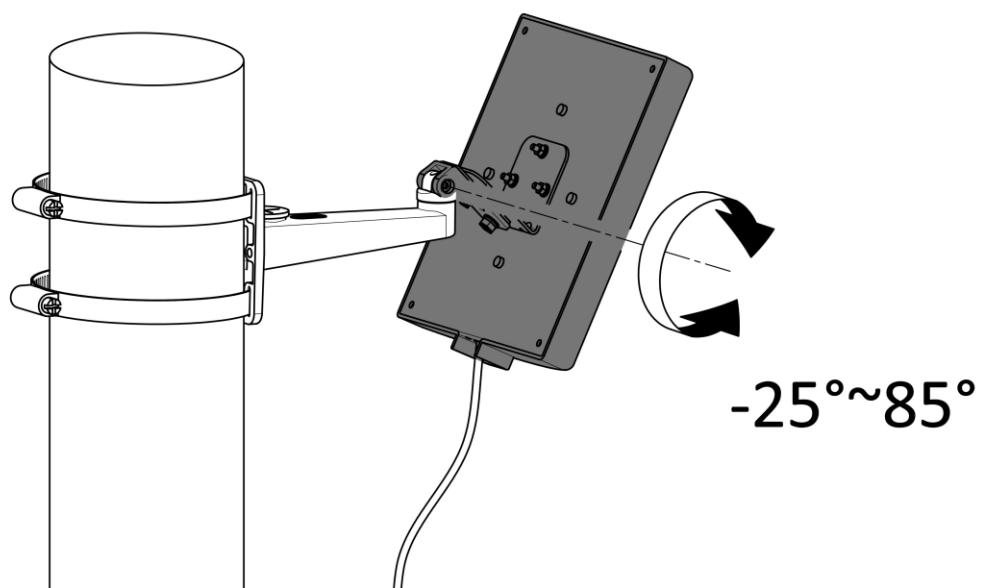
# 3.3



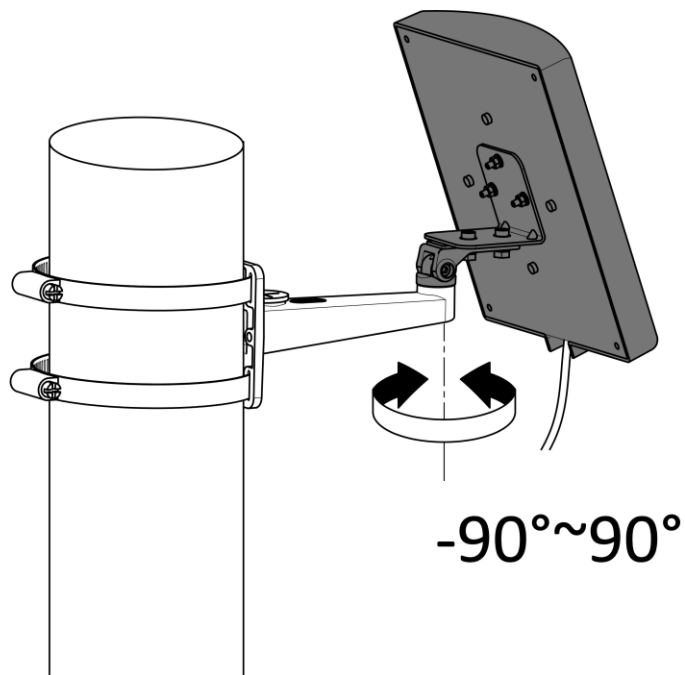
3.4



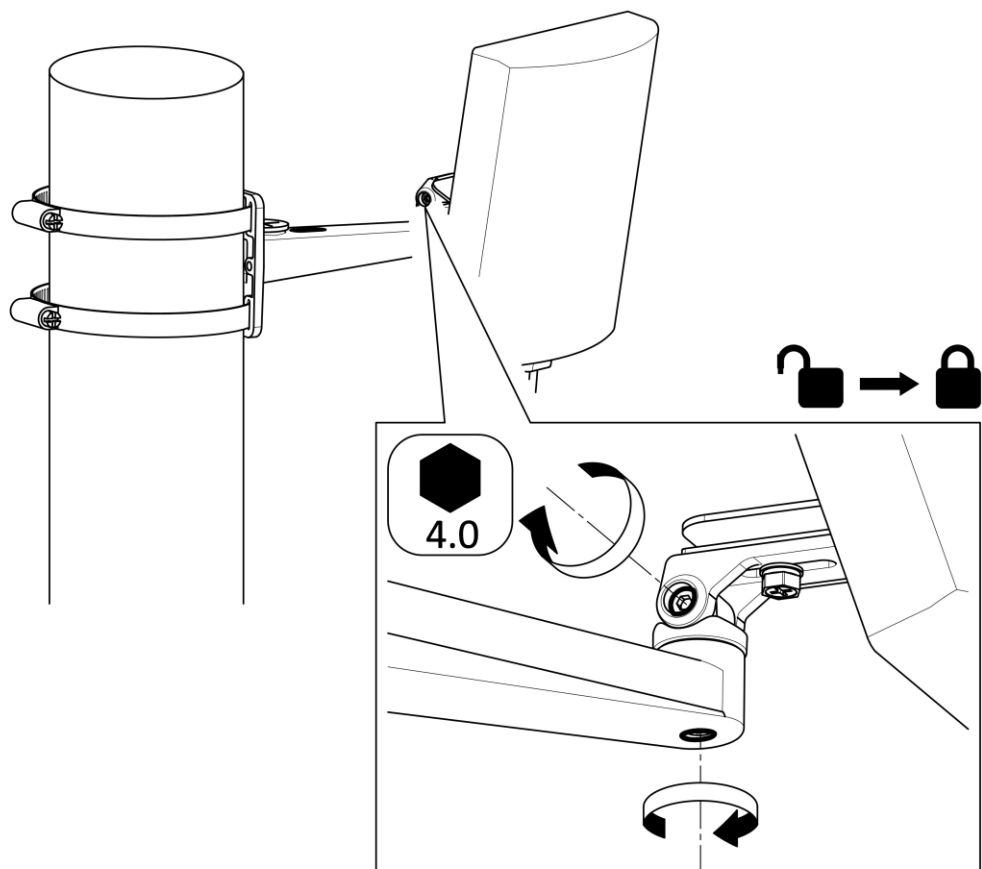
3.5



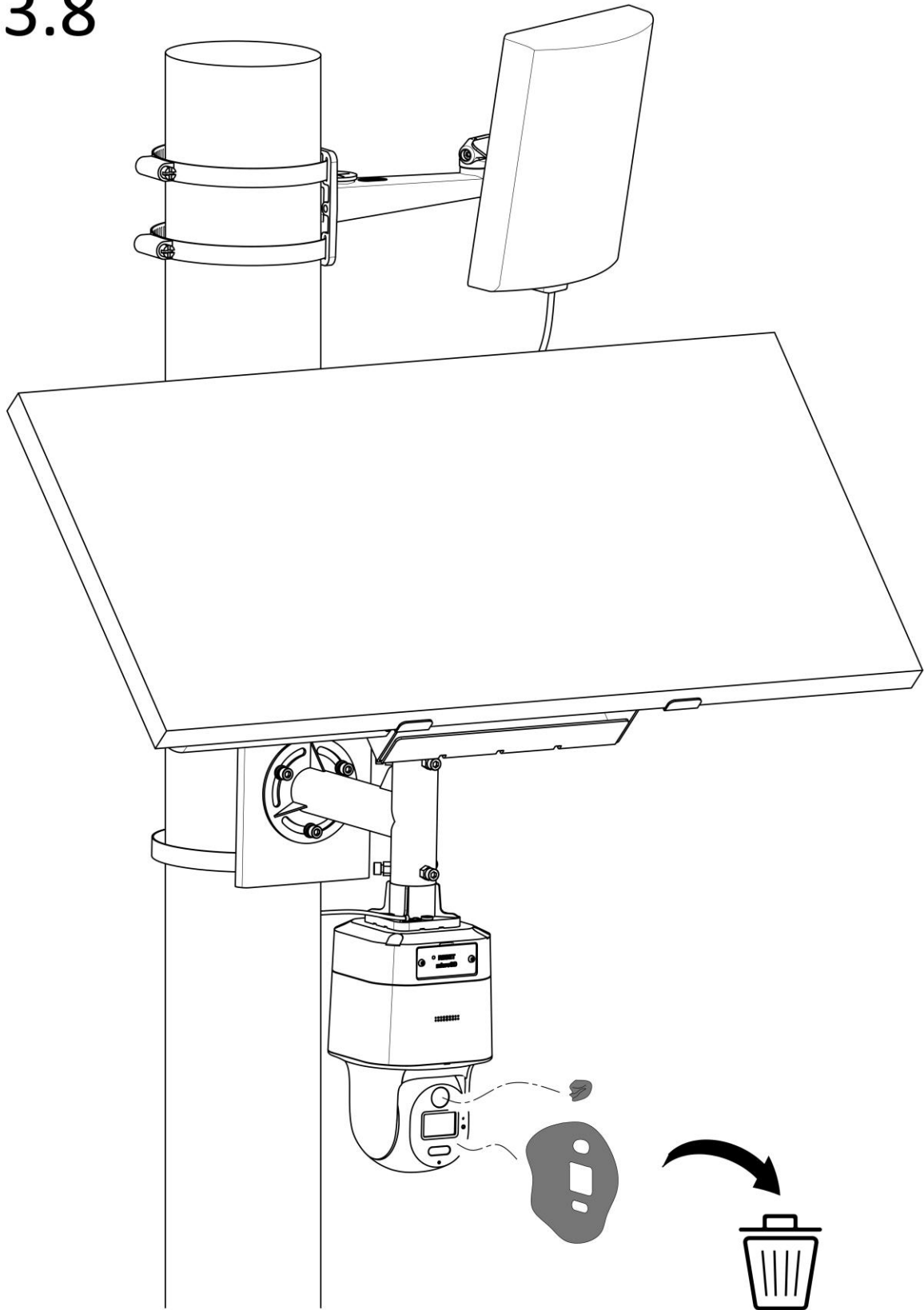
3.6



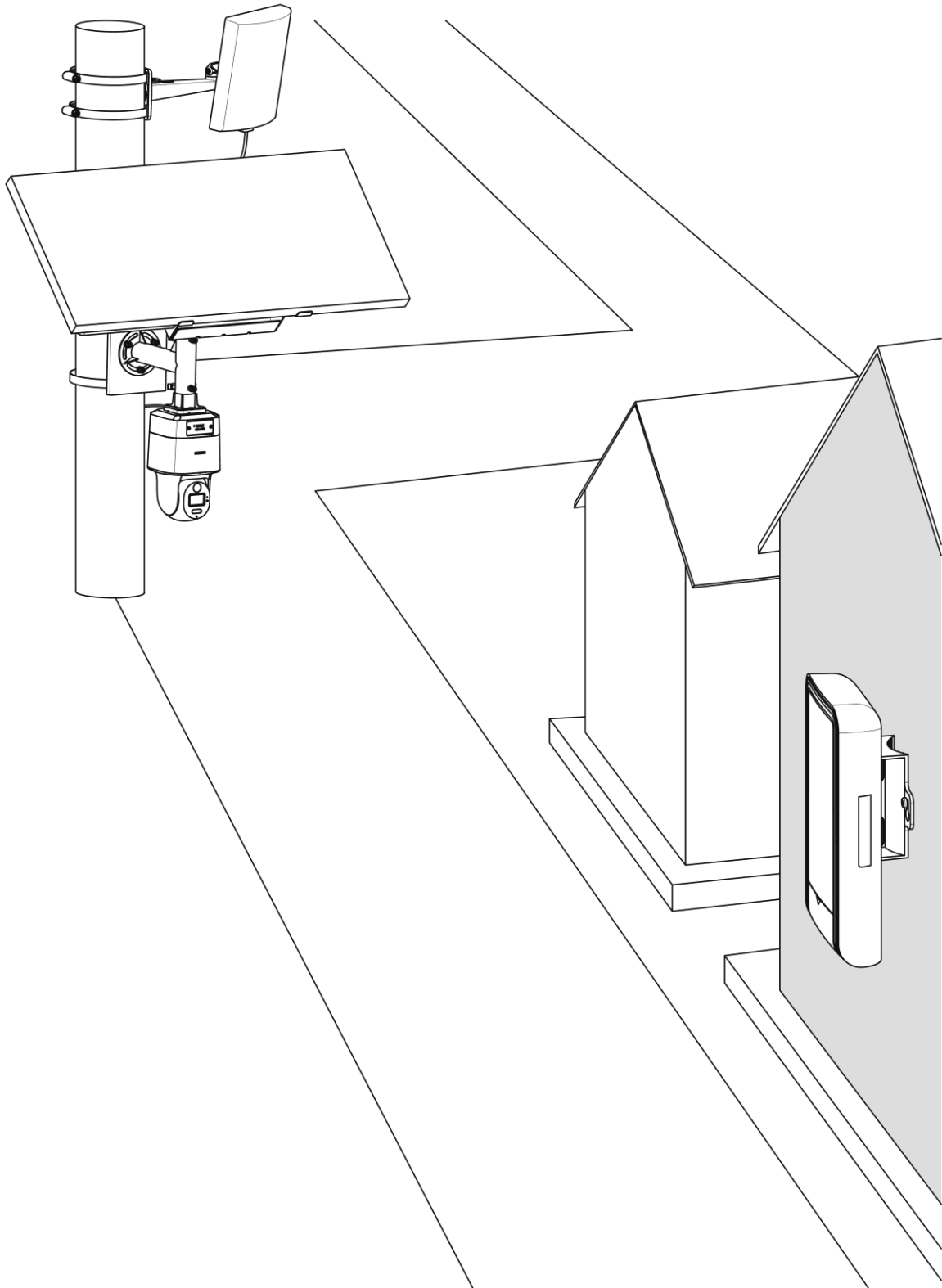
3.7



# 3.8



# 3.9



## Interface Introduction

1	Power input interface
2	Power output interface
3	Network interface
4	Alarm input interface
5	Alarm output interface
6	Audio input interface
7	Audio output interface
8	Built-in microphone
9	Built-in speaker
10	BNC/CVBS interface
11	HDMI interface
12	SDI interface
13	SD card slot
14	SIM card slot
15	Reset button
16	Fiber optical interface
17	Heater
18	USB
19	Antenna
20	RS-485
21	RS-232
22	ABF
23	Grounding
24	Wiegand interface
25	Solar panel
26	Battery switch
27	Debug power interface
28	Solar panel power interface
29	External solar panel interface
30	SOC debug serial port
31	MCU debug serial port
32	Video input interface
33	Video output interface
34	Aviation plug
35	Battery power output interface
36	Debug network interface

**Note:** The interface varies with the models. Please refer to the product datasheet for details.

## Regulatory Compliance and Safety Information

Read all information and instructions in this document carefully before using the device and keep it for further reference.

For more device information and instructions, please visit our website at <https://www.hikvision.com>. You can also refer to other documents (if any) accompanying the device or scan the QR code (if any) on the packaging to get more information.

## About this Document

The document includes instructions for using and managing the product. Pictures, charts, images and all other information hereinafter are for description and explanation only. The information contained in the document is subject to change, without notice, due to firmware updates or other reasons. Please find the latest version in the company website (<https://www.hikvision.com>).

Please use this document under the guidance of professionals.

©2023 Hangzhou Hikvision Digital Technology Co., Ltd. All rights reserved.

## Trademarks

**HIKVISION** and other Hikvision's trademarks and logos are the properties of Hikvision in various jurisdictions. Other trademarks and logos mentioned are the properties of their respective owners.

## Disclaimer

TO THE MAXIMUM EXTENT PERMITTED BY APPLICABLE LAW, THIS MANUAL AND THE PRODUCT DESCRIBED, WITH ITS HARDWARE, SOFTWARE AND FIRMWARE, ARE PROVIDED "AS IS" AND "WITH ALL FAULTS AND ERRORS". HIKVISION MAKES NO WARRANTIES, EXPRESS OR IMPLIED, INCLUDING WITHOUT LIMITATION, MERCHANTABILITY, SATISFACTORY QUALITY, OR FITNESS FOR A PARTICULAR PURPOSE. THE USE OF THE PRODUCT BY YOU IS AT YOUR OWN RISK. IN NO EVENT WILL HIKVISION BE LIABLE TO YOU FOR ANY SPECIAL, CONSEQUENTIAL, INCIDENTAL, OR INDIRECT DAMAGES, INCLUDING, AMONG OTHERS, DAMAGES FOR LOSS OF BUSINESS PROFITS, BUSINESS INTERRUPTION, OR LOSS OF DATA, CORRUPTION OF SYSTEMS, OR LOSS OF DOCUMENTATION, WHETHER BASED ON BREACH OF CONTRACT, TORT (INCLUDING NEGLIGENCE), PRODUCT LIABILITY, OR OTHERWISE, IN CONNECTION WITH THE USE OF THE PRODUCT, EVEN IF HIKVISION HAS BEEN ADVISED OF THE POSSIBILITY OF SUCH DAMAGES OR LOSS.

YOU ACKNOWLEDGE THAT THE NATURE OF THE INTERNET PROVIDES FOR INHERENT SECURITY RISKS, AND HIKVISION SHALL NOT TAKE ANY RESPONSIBILITIES FOR ABNORMAL OPERATION, PRIVACY LEAKAGE OR OTHER DAMAGES RESULTING FROM CYBER-ATTACK, HACKER ATTACK, VIRUS INFECTION, OR OTHER INTERNET SECURITY RISKS; HOWEVER, HIKVISION WILL PROVIDE TIMELY TECHNICAL SUPPORT IF REQUIRED.

YOU AGREE TO USE THIS PRODUCT IN COMPLIANCE WITH ALL APPLICABLE LAWS, AND YOU ARE SOLELY RESPONSIBLE FOR ENSURING THAT YOUR USE CONFORMS TO THE APPLICABLE LAW. ESPECIALLY, YOU ARE RESPONSIBLE, FOR USING THIS PRODUCT IN A MANNER THAT DOES NOT INFRINGE ON THE RIGHTS OF THIRD PARTIES, INCLUDING WITHOUT LIMITATION, RIGHTS OF PUBLICITY, INTELLECTUAL PROPERTY RIGHTS, OR DATA PROTECTION AND OTHER PRIVACY RIGHTS. YOU SHALL NOT USE THIS PRODUCT FOR ANY PROHIBITED END-USES, INCLUDING THE DEVELOPMENT OR PRODUCTION OF WEAPONS OF MASS DESTRUCTION, THE DEVELOPMENT OR PRODUCTION OF CHEMICAL OR BIOLOGICAL WEAPONS, ANY ACTIVITIES IN THE CONTEXT RELATED TO ANY NUCLEAR EXPLOSIVE OR UNSAFE NUCLEAR FUEL-CYCLE, OR IN SUPPORT OF HUMAN RIGHTS ABUSES.

IN THE EVENT OF ANY CONFLICTS BETWEEN THIS MANUAL AND THE APPLICABLE LAW, THE LATTER PREVAILS.

**These clauses apply only to the products bearing the corresponding mark or information.**

**FCC Compliance Statement**

Please take attention that changes or modification not expressly approved by the party responsible for compliance could void the user's authority to operate the equipment.

This device complies with part 15 of the FCC Rules. Operation is subject to the following two conditions:

- (1) this device may not cause harmful interference, and
- (2) this device must accept any interference received, including interference that may cause undesired operation.

This equipment complies with FCC radiation exposure limits set forth for an uncontrolled environment. This equipment should be installed and operated with minimum distance 20cm between the radiator & your body.

Note: This product has been tested and found to comply with the limits for a Class B digital device, pursuant to part 15 of the FCC Rules. These limits are designed to provide reasonable protection against harmful interference in a residential installation. This product generates, uses, and can radiate radio frequency energy and, if not installed and used in accordance with the instructions, may cause harmful interference to radio communications.

However, there is no guarantee that interference will not occur in a particular installation. If this product does cause harmful interference to radio or television reception, which can be determined by turning the equipment off and on, the user is encouraged to try to correct the interference by one or more of the following measures:

- Reorient or relocate the receiving antenna.
- Increase the separation between the equipment and receiver.
- Connect the equipment into an outlet on a circuit different from that to which the receiver is connected.
- Consult the dealer or an experienced radio/TV technician for help.

**EU/UK Compliance Statement**



This product and - if applicable - the supplied accessories too are marked with "CE" and comply therefore with the applicable harmonized European standards listed under the Directive 2014/30/EU (EMCD), Directive 2014/35/EU (LVD), Directive 2011/65/EU (RoHS).



This product and - if applicable - the supplied accessories too are marked with "UKCA" and comply therefore with the following directives: Radio Equipment Regulations 2017, Electromagnetic Compatibility Regulations 2016, Electrical Equipment (Safety) Regulations 2016, the Restriction of the Use of Certain Hazardous Substances in Electrical and Electronic Equipment Regulations 2012.

Hereby, Hangzhou Hikvision Digital Technology Co., Ltd. declares that this device (refer to the label) is in compliance with Directive 2014/53/EU.

The full text of the EU declaration of conformity is available at the following internet address:

<https://www.hikvision.com/en/support/compliance/declaration-of-conformity>.

**Frequency Bands and Power (for CE/UKCA)**

The frequency bands and transmitting power (radiated and/or conducted) nominal limits applicable to the following radio equipment are as follows:

Equipment Model	Frequency Bands and Power
DS-2XS*W*	Wi-Fi 2.4 GHz (2.4 GHz – 2.4834 GHz): 20 dBm

For the device without a supplied power adapter, use the power adapter provided by a qualified manufacturer. Refer to the product specification for detailed power requirements.

For the device without a supplied battery, use the battery provided by a qualified manufacturer. Refer to the product specification for detailed battery requirements.



Directive 2012/19/EU (WEEE Directive): Products marked with this symbol cannot be disposed of as unsorted municipal waste in the European Union. For proper recycling, return this product to your local supplier upon the purchase of equivalent new equipment, or dispose of it at designated collection points. For more information see: [www.recyclethis.info](http://www.recyclethis.info).

According to the Waste Electrical and Electronic Equipment Regulations 2013: Products marked with this symbol cannot be disposed of as unsorted municipal waste in the United Kingdom. For proper recycling, return this product to your local supplier upon the purchase of equivalent new equipment, or dispose of it at designated collection points. For more information see: [www.recyclethis.info](http://www.recyclethis.info).



Directive 2006/66/EC and its amendment 2013/56/EU (Battery Directive): This product contains a battery that cannot be disposed of as unsorted municipal waste in the European Union. See the product documentation for specific battery information. The battery is marked with this symbol, which may include lettering to indicate cadmium (Cd), lead (Pb), or mercury (Hg). For proper recycling, return the battery to your supplier or to a designated collection point. For more information see: [www.recyclethis.info](http://www.recyclethis.info).

According to the Batteries and Accumulators (Placing on the Market) Regulations 2008 and the Waste Batteries and Accumulators Regulations 2009: This product contains a battery that cannot be disposed of as unsorted municipal waste in the United Kingdom. See the product documentation for specific battery information. The battery is marked with this symbol, which may include lettering to indicate cadmium (Cd), lead (Pb), or mercury (Hg). For proper recycling, return the battery to your supplier or to a designated collection point. For more information see: [www.recyclethis.info](http://www.recyclethis.info).

**Industry Canada ICES-003 Compliance**

This device meets the CAN ICES-003 (B)/NMB-003 (B) standards requirements.

This device complies with Industry Canada licence-exempt RSS standard(s). Operation is subject to the following two conditions:

- (1) this device may not cause interference, and
  - (2) this device must accept any interference, including interference that may cause undesired operation of the device.
- Cet appareil répond aux exigences des normes CAN ICES-003 (B)/NMB-003 (B).

Cet appareil est conforme aux normes RSS exemptes de licence d'Industrie Canada. Son fonctionnement est soumis aux deux conditions suivantes :



(1) cet appareil ne doit pas causer d'interférences, et  
(2) cet appareil doit accepter toute interférence reçue, notamment les interférences susceptibles d'occasionner un fonctionnement indésirable de l'appareil.

This equipment complies with IC RSS-102 radiation exposure limits set forth for an uncontrolled environment. This equipment should be installed and operated with minimum distance 20cm between the radiator & your body.

Cet appareil est conforme aux limites d'exposition au rayonnement IC RSS-102 établies pour un environnement non contrôlé. Cet équipement doit être installé et utilisé à une distance minimale de 20 cm entre la source du rayonnement et votre corps.

#### KC

B급 기기: 이 기기는 가정용(B급) 전자파적합기기로서 주로 가정에서 사용하는 것을 목적으로 하며, 모든 지역에서 사용할 수 있습니다.



#### Safety Information

Please read all the safety information carefully before using.

- In the use of the product, you must be in strict compliance with the electrical safety regulations of the nation and region.
- Provide a surge suppressor at the inlet opening of the device under special conditions such as the mountain top, iron tower, and forest.
- For the device powered on and off only by power plug and socket-outlet, the socket-outlet shall be installed near the device and easily accessible.
- Do not touch the bare components (such as the metal contacts of the inlets) and wait for at least 5 minutes, since electricity may still exist after the device is powered off.
- Do not ingest battery. Chemical Burn Hazard!
- This product contains a coin/button cell battery. If the coin/button cell battery is swallowed, it can cause severe internal burns in just 2 hours and can lead to death.
- Keep new and used batteries away from children.
- If the battery compartment does not close securely, stop using the product and keep it away from children.
- If you think batteries might have been swallowed or placed inside any part of the body, seek immediate medical attention.
- CAUTION: Risk of explosion if the battery is replaced by an incorrect type.
- Improper replacement of the battery with an incorrect type may defeat a safeguard (for example, in the case of some lithium battery types).
- Do not dispose of the battery into fire or a hot oven, or mechanically crush or cut the battery, which may result in an explosion.
- Do not leave the battery in an extremely high temperature surrounding environment, which may result in an explosion or the leakage of flammable liquid or gas.
- Do not subject the battery to extremely low air pressure, which may result in an explosion or the leakage of flammable liquid or gas.
- Dispose of used batteries according to the instructions.

- + identifies the positive terminals of the device which is used with, or generates direct current, and - identifies the negative terminal(s) of the device which is used with, or generates direct current.
- No naked flame sources, such as lighted candles, should be placed on the device.
- If the serial port of the device is used for debugging only, it is reserved only for professionals or technical support for device maintenance.



- For the device with sticker  or , pay attention to the following cautions:  
CAUTION: Hot parts! Do not touch. Burned fingers when handling the parts. Wait one-half hour after switching off before handling the parts.
- This equipment is not suitable for use in locations where children are likely to be present.
- If the device installation is needed,
  1. Install the device according to the instructions in Quick Start Guide.
  2. To prevent injury, this device must be securely attached to the installation surface in accordance with the installation instructions.
- Never place the device in an unstable location. The device may fall, causing serious personal injury or death.
- If the device supports wall mounting or ceiling mounting, the mounting surface shall be able to withstand the additional force of three times the weight of the device but not less than 50 N. The device and its associated mounting means shall remain secure during the installation. After the installation, the device, including any associated mounting plate, shall not be damaged.
- CAUTION: If the bracket is designed for a specific device model of our company, use the bracket with the corresponding device only. Use with other devices may result in instability and cause injury.
- CAUTION: If the device needs to be installed with a specific bracket of our company, use the corresponding bracket only. Use others (such as carts, stands, and carriers) may result in instability and cause injury. Refer to the device datasheet for bracket model details.
- If the device needs to be wired by yourself, select the corresponding wire to supply power according to the electric parameters labeled on the device. Strip off wire with a standard wire stripper at corresponding position. To avoid serious consequences, the length of stripped wire shall be appropriate, and conductors shall not be exposed.
- Make sure that the power has been disconnected before you wire, install, or disassemble the device.
- If smoke, odor, or noise arises from the device, immediately turn off the power, unplug the power cable, and contact the service center.

**Français**

Conformité à la réglementation et consignes de sécurité

Lisez soigneusement toutes les informations et instructions de ce document avant d'utiliser l'appareil et conservez-le pour toute référence ultérieure.

Pour plus d'informations et d'instructions sur l'appareil, veuillez consulter notre site Internet à l'adresse

<https://www.hikvision.com>. Vous pouvez également consulter les autres documents (le cas échéant) accompagnant l'appareil ou scanner le code QR (le cas échéant) sur l'emballage pour obtenir plus d'informations.

#### Clause d'exclusion de responsabilité

DANS LES LIMITES AUTORISÉES PAR LA LOI EN VIGUEUR, LE PRÉSENT MANUEL ET LE PRODUIT DÉCRIT, AINSI QUE SON MATÉRIEL, SES LOGICIELS ET SES MICROLOGICIELS, SONT FOURNIS « EN L'ÉTAT » ET « AVEC CES FAIBLESSES ET ERREURS ». HIKVISION NE FAIT AUCUNE GARANTIE, EXPLICITE OU IMPLICITE, Y COMPRIS, MAIS SANS S'Y LIMITER, DE QUALITÉ MARCHANDE, DE QUALITÉ SATISFAISANTE, OU D'ADÉQUATION À UN USAGE PARTICULIER. VOUS UTILISEZ LE PRODUIT À VOS PROPRES RISQUES. HIKVISION NE SERA EN AUCUN CAS TENU RESPONSABLE POUR TOUT DOMMAGE SPÉCIAL, CONSÉCUTIF, ACCESSOIRE OU INDIRECT, Y COMPRIS, ENTRE AUTRES, LES DOMMAGES RELATIFS À LA PERTE DE PROFITS D'ENTREPRISE, À L'INTERRUPTION D'ACTIVITÉS COMMERCIALES, OU LA PERTE DES DONNÉES, LA CORRUPTION DES SYSTÈMES, OU LA PERTE DES DOCUMENTS, S'ILS SONT BASÉS SUR UNE VIOLATION DE CONTRAT, UNE FAUTE (Y COMPRIS LA NÉGLIGENCE), LA RESPONSABILITÉ EN MATIÈRE DE PRODUITS, OU AUTRE, EN RAPPORT AVEC L'UTILISATION DU PRODUIT, MÊME SI HIKVISION A ÉTÉ INFORMÉ DE LA POSSIBILITÉ D'UN TEL DOMMAGE OU D'UNE TELLE PERTE.

VOUS RECONNAISSEZ QUE LA NATURE D'INTERNET EST SOURCE DE RISQUES DE SÉCURITÉ INHÉRENTS, ET HIKVISION SE DÉGAGE DE TOUTE RESPONSABILITÉ EN CAS DE FONCTIONNEMENT ANORMAL, DIVULGATION D'INFORMATIONS CONFIDENTIELLES OU AUTRES DOMMAGES DÉCOULANT D'UNE CYBERATTAQUE, D'UN PIRATAGE INFORMATIQUE, D'UNE INFECTION PAR DES VIRUS, OU AUTRES RISQUES DE SÉCURITÉ LIÉS À INTERNET ; TOUTEFOIS, HIKVISION FOURNIRA UNE ASSISTANCE TECHNIQUE DANS LES DÉLAIS, LE CAS ÉCHÉANT.

VOUS ACCEPTEZ D'UTILISER CE PRODUIT CONFORMÉMENT À L'ENSEMBLE DES LOIS EN VIGUEUR. IL EST DE VOTRE RESPONSABILITÉ EXCLUSIVE DE VEILLER À CE QUE VOTRE UTILISATION SOIT CONFORME À LA LOI APPLICABLE. IL VOUS APPARTIENT SURTOUT D'UTILISER CE PRODUIT D'UNE MANIÈRE QUI NE PORTE PAS ATTEINTE AUX DROITS DE TIERS, Y COMPRIS, MAIS SANS S'Y LIMITER, LES DROITS DE PUBLICITÉ, LES DROITS DE PROPRIÉTÉ INTELLECTUELLE, OU LA PROTECTION DES DONNÉES ET D'AUTRES DROITS À LA VIE PRIVÉE. VOUS NE DEVEZ PAS UTILISER CE PRODUIT POUR TOUTE UTILISATION FINALE INTERDITE, NOTAMMENT LA MISE AU POINT OU LA PRODUCTION D'ARMES DE DESTRUCTION MASSIVE, LA MISE AU POINT OU LA FABRICATION D'ARMES CHIMIQUES OU BIOLOGIQUES, LES ACTIVITÉS DANS LE CONTEXTE LIÉ AUX EXPLOSIFS NUCLÉAIRES OU AU CYCLE DU COMBUSTIBLE NUCLÉAIRE DANGEREUX, OU SOUTENANT LES VIOLATIONS DES DROITS DE L'HOMME. EN CAS DE CONFLIT ENTRE CE MANUEL ET LES LOIS EN VIGUEUR, CES DERNIÈRES PRÉVALENT.

---

**Ces clauses ne s'appliquent qu'aux produits portant la marque ou l'information correspondante.**

---

#### Déclaration de conformité UE



Ce produit et, le cas échéant, les accessoires qui l'accompagnent, sont estampillés « CE » et sont donc conformes aux normes européennes harmonisées en

vigueur répertoriées sous la directive 2014/30/UE (EMCD), la directive 2014/35/UE (LVD) et la directive 2011/65/UE (RoHS). Par la présente, Hangzhou Hikvision Digital Technology Co., Ltd. déclare que cet appareil (se référer à l'étiquette) est conforme à la directive 2014/53/UE.

L'intégralité du texte de la Déclaration UE de conformité est disponible à l'adresse Internet suivante :

<https://www.hikvision.com/en/support/compliance/declaration-of-compliance>.

Bandes de fréquence et puissance (pour la CE)

Les bandes de fréquences et les limites nominales de la puissance d'émission (rayonnée ou conduite) applicables aux équipements radio suivants sont les suivantes :

Modèle d'équipement	Bandes de fréquences et puissance
DS-2XS*W*	Wi-Fi 2,4 GHz (2,4 – 2,4834 GHz) : 20 dBm

Pour les appareils sans adaptateur d'alimentation offert, utilisez l'adaptateur d'alimentation fourni par un fabricant qualifié.

Reportez-vous aux spécifications du produit pour les dispositions nécessaires et détaillées en matière d'alimentation.

Pour les appareils sans batterie offerte, utilisez la batterie fournie par un fabricant qualifié. Reportez-vous aux spécifications du produit pour les détails concernant la pile.



Directive 2012/19/UE (directive DEEE) : dans l'Union européenne, les produits portant ce pictogramme ne doivent pas être déposés dans une décharge municipale où le tri des déchets n'est pas pratiqué.

Pour un recyclage adéquat, remettez ce produit à votre revendeur lors de l'achat d'un nouvel équipement équivalent, ou déposez-le dans un lieu de collecte prévu à cet effet. Pour de plus amples informations, visitez le site Web : [www.recyclethis.info](http://www.recyclethis.info).



Directive 2006/66/CE et son amendement 2013/56/UE (directive sur les batteries) : ce produit renferme une pile qui ne doit pas être déposée dans une décharge municipale où le tri des déchets n'est pas pratiqué, dans l'Union européenne. Pour plus de précisions sur la pile, reportez-vous à sa documentation. La pile porte le pictogramme ci-contre, qui peut inclure la mention Cd (cadmium), Pb (plomb) ou Hg (mercure). Pour la recycler correctement, renvoyez-la à votre revendeur ou déposez-la dans un point de collecte prévu à cet effet. Pour de plus amples informations, visitez le site Web : [www.recyclethis.info](http://www.recyclethis.info).

#### Consignes de sécurité

Veillez lire soigneusement toutes les consignes de sécurité avant d'utiliser l'appareil.

- En utilisant le produit, vous devez respecter rigoureusement la réglementation relative à la sécurité électrique de votre pays ou région.
- Équipez l'ouverture d'entrée de l'appareil d'un suppresseur de surtension lorsque vous utilisez l'appareil dans des conditions spéciales, telles que le sommet de la montagne, une tour de fer et la forêt.
- Pour un appareil dont l'alimentation et l'arrêt se font uniquement par une fiche et une prise de courant, la prise de

courant doit être installée près de l'appareil de façon à être facilement accessible.

- Ne touchez pas les composants nus (tels que les contacts de métal des entrées) et patientez au moins 5 minutes, puisque l'appareil peut toujours être alimenté après la mise hors tension de l'appareil.
- Ne pas ingérer la pile. Risque de brûlure chimique !
- Ce produit contient une pile bouton. Si la pile bouton est avalée, celle-ci peut provoquer de graves brûlures internes en seulement 2 heures et entraîner la mort.
- Conservez les piles neuves et usagées hors de la portée des enfants.
- Si le compartiment des piles ne peut pas être complètement refermé, cessez d'utiliser le produit et conservez-le hors de la portée des enfants.
- Si vous pensez que des piles ont été ingérées ou insérées à l'intérieur d'une partie du corps, consultez immédiatement un médecin.
- ATTENTION : Il y a un risque d'explosion lorsque la batterie est remplacée par une batterie de type incorrect.
- Le remplacement de la pile par une pile du mauvais type peut conduire à l'annulation d'une protection (par exemple, dans le cas de certains types de piles au lithium).
- Ne jetez pas une pile au feu ou dans un four chaud, ni ne broyez mécaniquement ou découpez une pile, car cela pourrait engendrer une explosion.
- Ne laissez pas une pile dans un environnement ambiant extrêmement chaud, car vous encourez un risque d'explosion ou une fuite de liquide ou de gaz inflammable.
- N'exposez pas une pile à des pressions atmosphériques extrêmement basses, car vous encourez un risque d'explosion ou une fuite de liquide ou de gaz inflammable.
- Éliminez les piles usées conformément aux instructions.
- Le + identifie les bornes positives de l'appareil qui sont utilisées avec ou génèrent le courant continu, et le - identifie les bornes négatives de l'appareil qui sont utilisées avec ou génèrent le courant continu.
- Aucune source de flamme nue, telle que des bougies allumées, ne doit être placée sur l'appareil.
- Si le port série de l'appareil sert uniquement au débogage, il est réservé uniquement pour les professionnels ou l'assistance technique pour les travaux de maintenance de l'appareil.



- Pour l'appareil portant un autocollant



, faites attention aux précautions suivantes :

ATTENTION : Composants chauds ! Ne pas toucher. La manipulation des pièces risque de brûler les doigts. Attendez une demi-heure après l'arrêt de l'appareil avant de manipuler les pièces.

- Cet équipement n'est pas adapté à un usage dans les endroits où des enfants sont susceptibles d'être présents.
- Si l'installation de l'appareil est nécessaire,
  1. Installez l'appareil conformément aux instructions figurant dans le guide de démarrage rapide.
  2. Pour éviter toute blessure, cet appareil doit être fermement fixé à la surface d'installation conformément aux instructions d'installation.
- Ne placez jamais l'appareil dans un endroit instable. L'appareil peut tomber et provoquer des blessures corporelles graves ou la mort.
- Si l'appareil peut être monté au mur ou au plafond, la surface de montage doit pouvoir résister à une force supplémentaire égale à trois fois le poids de l'appareil, mais ne doit pas être inférieure à 50 N. L'appareil et ses moyens de montage associés doivent rester en place lors de l'installation. Après l'installation, l'appareil, y compris la plaque de fixation associée, ne doivent pas être endommagés.
- ATTENTION : Si le support est conçu pour un modèle d'appareil spécifique de notre entreprise, utilisez uniquement le support avec l'appareil correspondant. Toute utilisation avec d'autres appareils peut entraîner une instabilité et causer des blessures.
- ATTENTION : Si l'appareil doit être installé avec un support spécifique de notre entreprise, utilisez uniquement le support correspondant. Toute utilisation d'autres supports (chariots, stations ou transporteurs) peut entraîner une instabilité et causer des blessures. Reportez-vous à la fiche technique de l'appareil pour les détails du modèle du support.
- Si vous devez câbler l'appareil vous-même, sélectionnez le câble correspondant à l'alimentation électrique en fonction des paramètres électriques indiqués sur l'appareil. Dénudez le câble à l'aide d'une pince à dénuder standard à l'endroit correspondant. Pour éviter des conséquences graves, la longueur du câble dénudé doit être appropriée et les conducteurs ne doivent pas être exposés.
- S'assurer que l'alimentation est coupée avant de procéder au câblage, à l'installation ou au démontage de l'appareil.
- Si de la fumée, des odeurs ou du bruit s'échappent de l'appareil, mettez immédiatement l'appareil hors tension et débranchez le câble d'alimentation, puis contactez un centre de réparation.

### Informationen zur Einhaltung gesetzlicher Vorschriften und zur Sicherheit

Lesen Sie alle Informationen und Anweisungen in diesem Dokument sorgfältig, bevor Sie das Gerät in Betrieb nehmen und bewahren Sie sie zum Nachschlagen auf.

Weitere Informationen und Anweisungen zum Gerät finden Sie auf unserer Website unter <https://www.hikvision.com>. Weitere Informationen finden Sie auch in anderen Dokumenten (falls

vorhanden), die dem Gerät beiliegen oder Sie können den QR-Code (falls vorhanden) auf der Verpackung scannen.

### Haftungsausschluss

DIESE BEDIENUNGSANLEITUNG UND DAS BESCHRIEBENE PRODUKT MIT SEINER HARDWARE, SOFTWARE UND FIRMWARE WERDEN, SOWEIT GESETZLICH ZULÄSSIG, IN DER „VORLIEGENDEN FORM“ UND MIT „ALLEN FEHLERN UND IRRTÜMERN“ BEREITGESTELLT. HIKVISION ÜBERNIMMT KEINE AUSDRÜCKLICHEN ODER STILLSCHWEIGENDEN GARANTIEEN,

**Deutsch**

EINSCHLIESSLICH, ABER NICHT BESCHRÄNKT AUF DIE MARKTGÄNGIGKEIT, ZUFRIEDENSTELLENDEN QUALITÄT ODER EIGNUNG FÜR EINEN BESTIMMTEN ZWECK. DIE NUTZUNG DES PRODUKTS DURCH SIE ERFOLGT AUF IHRE EIGENE GEFAHR. IN KEINEM FALL IST HIKVISION IHNEN GEGENÜBER HAFTBAR FÜR BESONDERE, ZUFÄLLIGE, DIREKTE ODER INDIREKTE SCHÄDEN, EINSCHLIESSLICH, JEDOCH NICHT DARAUF BESCHRÄNKT, VERLUST VON GESCHÄFTSGEWINNEN, GESCHÄFTSUNTERBRECHUNG, DATENVERLUST, SYSTEMBESCHÄDIGUNG, VERLUST VON DOKUMENTATIONEN, SEI ES AUFGRUND VON VERTRAGSBRUCH, UNERLAUBTER HANDLUNG (EINSCHLIESSLICH FAHRLÄSSIGKEIT), PRODUKTHAFTUNG ODER ANDERWEITIG, IN VERBINDUNG MIT DER VERWENDUNG DIESES PRODUKTS, SELBST WENN HIKVISION ÜBER DIE MÖGLICHKEIT DERARTIGER SCHÄDEN ODER VERLUSTE INFORMIERT WAR.

SIE ERKENNEN AN, DASS DIE NATUR DES INTERNETS DAMIT VERBUNDENE SICHERHEITSRISIKEN BEINHÄLT. HIKVISION ÜBERNIMMT KEINE VERANTWORTUNG FÜR ANORMALEN BETRIEB, DATENVERLUST ODER ANDERE SCHÄDEN, DIE SICH AUS CYBERANGRIFFEN, HACKERANGRIFFEN, VIRUSINFESTION ODER ANDEREN SICHERHEITSRISIKEN IM INTERNET ERGEBEN. HIKVISION LEISTET JEDOCH BEI BEDARF ZEITNAH TECHNISCHEM SUPPORT. SIE STIMMEN ZU, DIESES PRODUKT IN ÜBEREINSTIMMUNG MIT ALLEN GELTENDEN GESETZEN ZU VERWENDEN, UND SIE SIND ALLEIN DAFÜR VERANTWORTLICH, DASS IHRE VERWENDUNG GEGEN KEINE GELTENDEN GESETZE VERSTÖßT. INSBESONDERE SIND SIE DAFÜR VERANTWORTLICH, DIESES PRODUKT SO ZU VERWENDEN, DASS DIE RECHTE DRITTER NICHT VERLETZT WERDEN, EINSCHLIESSLICH, ABER NICHT BESCHRÄNKT AUF VERÖFFENTLICHUNGSRECHTE, DIE RECHTE AN GEISTIGEM EIGENTUM ODER DEN DATENSCHUTZ UND ANDERE PERSÖNLICHKEITSRECHTE. SIE DÜRFEN DIESES PRODUKT NICHT FÜR VERBOTENE ENDANWENDUNGEN VERWENDEN, EINSCHLIESSLICH DER ENTWICKLUNG ODER HERSTELLUNG VON MASSENVERNICHTUNGSWAFFEN, DER ENTWICKLUNG ODER HERSTELLUNG CHEMISCHER ODER BIOLOGISCHER WAFFEN, JEDLICHER AKTIVITÄTEN IM ZUSAMMENHANG MIT EINEM NUKLEAREN SPRENGKÖRPER ODER UNSICHEREN NUKLEAREN BRENNSTOFFKREISLAUF BZW. ZUR UNTERSTÜTZUNG VON MENSCHENRECHTSVERLETZUNGEN. IM FALL VON WIDERSPRÜCHEN ZWISCHEN DIESER BEDIENUNGSANLEITUNG UND GELTENDEM RECHT IST LETZTERES MASSGEBLICH.

**Diese Bestimmungen gelten nur für Produkte, die das entsprechende Zeichen oder die entsprechenden Informationen tragen.**

#### Erklärung zur EU-Konformität



Dieses Produkt und – gegebenenfalls – das mitgelieferte Zubehör tragen das „CE“-Kennzeichen und entsprechen daher den geltenden

harmonisierten europäischen Normen, die in der Richtlinie 2014/30/EU (EMCD), der Richtlinie 2014/35/EU (NSR) und der Richtlinie 2011/65/EU (RoHS) aufgeführt sind.

Hiermit erklärt Hangzhou Hikvision Digital Technology Co., Ltd., dass dieses Gerät (siehe Etikett) mit der Richtlinie 2014/53/EU übereinstimmt.

Der vollständige Text der EU-Konformitätserklärung ist unter der folgenden URL-Adresse einsehbar:

<https://www.hikvision.com/en/support/compliance/declaration-of-conformity>.

Frequenzbänder und Leistung (für CE)

Die für das folgende Funkgerät geltenden Frequenzbänder und die nominalen Grenzwerte für die Sendeleistung (gestrahlt und/oder leitungsgeführt) sind wie folgt:

Gerätemodell	Frequenzbänder und Leistung
DS-2XS*W*	WLAN 2,4 GHz (2,4 bis 2,4834 GHz): 20 dBm

Verwenden Sie bei einem Gerät ohne mitgeliefertes Netzteil nur ein Netzteil von einem zugelassenen Hersteller. Detaillierte Angaben zum Strombedarf finden Sie in der Produktspezifikation. Verwenden Sie bei einem Gerät ohne mitgelieferte Batterien nur Batterien/Akkus von einem zugelassenen Hersteller. Detaillierte Angaben zu den Batterie-/Akku-Anforderungen finden Sie in der Produktspezifikation.



Richtlinie 2012/19/EU (WEEE-Richtlinie): Produkte, die mit diesem Symbol gekennzeichnet sind, dürfen innerhalb der Europäischen Union nicht mit dem Hausmüll entsorgt werden. Für korrektes Recycling geben Sie dieses Produkt an Ihren örtlichen Fachhändler zurück oder entsorgen Sie es an einer der Sammelstellen. Weitere Informationen finden Sie unter: [www.recyclethis.info](http://www.recyclethis.info).



Richtlinie 2006/66/EG und ihre Änderung 2013/56/EU (Akkurichtlinie): Dieses Produkt enthält einen Akku, der innerhalb der Europäischen Union nicht mit dem Hausmüll entsorgt werden darf. Siehe Produktdokumentation für spezifische Hinweise zu Akkus oder Batterien. Der Akku ist mit diesem Symbol gekennzeichnet, das zusätzlich die Buchstaben Cd für Cadmium, Pb für Blei oder Hg für Quecksilber enthalten kann. Für korrektes Recycling geben Sie die Akkus/Batterien an Ihren örtlichen Fachhändler zurück oder entsorgen Sie sie an einer der Sammelstellen. Weitere Informationen finden Sie unter: [www.recyclethis.info](http://www.recyclethis.info).

#### Sicherheitshinweise

Bitte lesen Sie alle Sicherheitshinweise sorgfältig durch, bevor Sie das Gerät in Betrieb nehmen.

- Bei der Verwendung des Produkts müssen die elektrischen Sicherheitsbestimmungen des Landes oder der Region strikt eingehalten werden.
- Sehen Sie einen Überspannungsschutz an der Einlassöffnung des Geräts vor, wenn Sie unter bestimmten Bedingungen wie auf einem Berggipfel, einem Eisenturm oder im Wald arbeiten.
- Bei Geräten, die nur über einen Netzstecker und eine Steckdose ein- und ausgeschaltet werden, muss die Steckdose in der Nähe des Geräts angebracht und leicht zugänglich sein.
- Berühren Sie keine blanken Bauteile (wie Metallkontakte der Eingänge) und warten Sie mindestens 5 Minuten, da nach dem Ausschalten des Geräts noch Strom in den Leitungen vorhanden sein kann.
- Verschlucken Sie niemals die Batterie. Gefahr von Verätzungen durch Chemikalien!
- Dieses Produkt enthält eine Knopfzellenbatterie. Wenn die Knopfzellenbatterie verschluckt wird, kann dies innerhalb von 2 Stunden zu schweren inneren Verätzungen und Tod führen.
- Halten Sie neue und gebrauchte Batterien von Kindern fern.
- Wenn sich das Batteriefach nicht richtig schließt, stellen Sie den Gebrauch des Produkts ein und halten Sie es von Kindern fern.

- Suchen Sie umgehend ärztliche Hilfe auf, wenn Sie vermuten, dass Batterien verschluckt oder in Körperöffnungen eingeführt wurden.
- ACHTUNG: Bei Austausch der Batterie durch einen falschen Typ besteht Explosionsgefahr.
- Unsachgemäßer Austausch des Akkus durch einen falschen Typ kann eine Schutzvorrichtung umgehen (z. B. bei einigen Lithium-Batterietypen).
- Batterien nicht durch Verbrennen, in einem heißen Ofen oder Zerkleinern oder Zerschneiden entsorgen. Das kann zu einer Explosion führen.
- Bewahren Sie Batterien nicht in einer Umgebung mit extrem hoher Temperatur auf. Das kann zu einer Explosion oder zum Auslaufen von entflammbarer Flüssigkeit oder Gas führen.
- Setzen Sie Batterien keinem extrem niedrigen Luftdruck aus. Das kann zu einer Explosion oder zum Auslaufen von entflammbarer Flüssigkeit oder Gas führen.
- Entsorgen Sie die verbrauchten Batterien gemäß den Anweisungen.
- + markiert die Pluspole des Geräts, das mit Gleichstrom betrieben wird oder Gleichstrom erzeugt, und - markiert den/die Minuspol(e) des Geräts, das mit Gleichstrom betrieben wird oder Gleichstrom erzeugt.
- Stellen Sie keine offenen Flammen, wie zum Beispiel brennende Kerzen, auf das Gerät.
- Ist die serielle Schnittstelle des Geräts nur für die Fehlersuche vorgesehen, so ist sie ausschließlich Fachleuten oder dem technischen Support für die Wartung des Geräts vorbehalten.
- Wenn die Installation des Geräts erforderlich ist,
  1. Montieren Sie das Gerät gemäß den Anweisungen in der Schnellstartanleitung.
  2. Um Verletzungen zu vermeiden, muss dieses Gerät gemäß den Installationsanweisungen sicher auf der Montagefläche montiert werden.
- Stellen Sie das Gerät niemals an einem nicht standsicheren Ort auf. Das Gerät kann herunterfallen und dabei schwere Verletzungen oder sogar Tod verursachen.
- Wenn das Gerät an der Wand oder an der Decke montiert werden kann, muss die Montagefläche die zusätzliche Kraft des dreifachen Gerätegewichts, mindestens jedoch 50 N aushalten können. Achten Sie während der Montage auf den Schutz des Geräts und der zugehörigen Befestigungsmittel. Nach der Installation darf das Gerät, inklusive der zugehörigen Montageplatte, nicht beschädigt werden.
- ACHTUNG: Falls die Halterung für ein bestimmtes Gerätemodell unseres Unternehmens ausgelegt ist, verwenden Sie die Halterung nur mit dem zugehörigen Gerät. Die Verwendung mit anderen Geräten kann zu Instabilitäten führen und Verletzungen verursachen.
- ACHTUNG: Falls das Gerät mit einer speziellen Halterung unseres Unternehmens installiert werden muss, verwenden Sie nur die dazugehörige Halterung. Die Verwendung anderer Halterungen (z. B. Wagen, Ständer und Träger) kann zu einer Instabilität führen und Verletzungen verursachen. Informationen zum Modell der Halterung finden Sie im Datenblatt des Geräts.
- Wenn Sie das Gerät selbst verdrahten müssen, wählen Sie das Kabel für die Stromversorgung entsprechend den auf dem Gerät angegebenen elektrischen Werten. Isolieren Sie das Kabel mit einer handelsüblichen Abisolierzange an der entsprechenden Stelle ab. Um schwerwiegende Folgen zu vermeiden, müssen die Drähte über eine angemessene Länge abisoliert werden, doch dürfen die Leiter nicht freiliegen.
- Stellen Sie sicher, dass die Stromversorgung unterbrochen wurde, bevor Sie das Gerät verkabeln, installieren oder demontieren.
- Sollten sich Rauch, Gerüche oder Geräusche in dem Gerät entwickeln, so schalten Sie es unverzüglich aus und ziehen Sie den Netzstecker. Wenden Sie sich dann an den Kundendienst.



- Für das Gerät mit dem Aufkleber  oder , beachten Sie bitte die folgenden

Vorsichtsmaßnahmen:

ACHTUNG: Heiße Teile! Nicht anfassen. Sie können sich bei Berührung der Teile Verbrennungen zuziehen. Warten Sie nach dem Ausschalten eine halbe Stunde, bevor Sie die Teile anfassen.

- Das Gerät ist nicht für den Einsatz an Orten geeignet, an denen sich wahrscheinlich Kinder aufhalten.

**Español**

### Cumplimiento normativo e información de seguridad

Lea detenidamente toda la información y las instrucciones de este documento antes de usar el dispositivo y consérvelo para futuras referencias.

Para obtener más información e instrucciones del dispositivo, visite nuestra página web <https://www.hikvision.com>. También puede consultar el resto de documentos (si hay alguno) que acompañan al dispositivo o escanear el código QR (si hay alguno) del paquete para obtener más información.

### Descargo de responsabilidad

EN LA MEDIDA MÁXIMA PERMITIDA POR LAS LEYES APLICABLES, ESTE MANUAL Y EL PRODUCTO DESCRITO —INCLUIDOS SU HARDWARE, SOFTWARE Y FIRMWARE— SE SUMINISTRAN «TAL CUAL» Y «CON TODOS SU FALLOS Y ERRORES». HIKVISION NO OFRECE GARANTÍAS, EXPLÍCITAS O IMPLÍCITAS, INCLUIDAS, A MODO ENUNCIATIVO, COMERCIALIZACIÓN, CALIDAD

SATISFACTORIA O IDONEIDAD PARA UN PROPÓSITO EN PARTICULAR. EL USO QUE HAGA DEL PRODUCTO CORRE BAJO SU ÚNICO RIESGO. EN NINGÚN CASO HIKVISION PODRÁ CONSIDERARSE RESPONSABLE ANTE USTED DE NINGÚN DAÑO ESPECIAL, CONSECUENTE, INCIDENTAL O INDIRECTO, INCLUYENDO, ENTRE OTROS, DAÑOS POR PÉRDIDAS DE BENEFICIOS COMERCIALES, INTERRUPCIÓN DE LA ACTIVIDAD COMERCIAL, PÉRDIDA DE DATOS, CORRUPCIÓN DE LOS SISTEMAS O PÉRDIDA DE DOCUMENTACIÓN, YA SEA POR INCUMPLIMIENTO DEL CONTRATO, AGRAVIO (INCLUYENDO NEGLIGENCIA), RESPONSABILIDAD DEL PRODUCTO O EN RELACIÓN CON EL USO DEL PRODUCTO, INCLUSO CUANDO HIKVISION HAYA RECIBIDO UNA NOTIFICACIÓN DE LA POSIBILIDAD DE DICHOS DAÑOS O PÉRDIDAS. USTED RECONOCE QUE LA NATURALEZA DE INTERNET IMPLICA RIESGOS DE SEGURIDAD INHERENTES Y HIKVISION NO TENDRÁ

NINGUNA RESPONSABILIDAD POR EL FUNCIONAMIENTO ANORMAL, FILTRACIONES DE PRIVACIDAD U OTROS DAÑOS RESULTANTES DE ATAQUES CIBERNÉTICOS, ATAQUES DE HACKERS, INFECCIONES DE VIRUS U OTROS RIESGOS DE SEGURIDAD DE INTERNET; SIN EMBARGO, HIKVISION PROPORCIONARÁ APOYO TÉCNICO OPORTUNO DE SER NECESARIO.

USTED ACEPTA USAR ESTE PRODUCTO DE CONFORMIDAD CON TODAS LAS LEYES APLICABLES Y SOLO USTED ES EL ÚNICO RESPONSABLE DE ASEGURAR QUE EL USO CUMPLA CON DICHAS LEYES. EN ESPECIAL, USTED ES RESPONSABLE DE USAR ESTE PRODUCTO DE FORMA QUE NO INFRINJA LOS DERECHOS DE TERCEROS, INCLUYENDO, A MODO ENUNCIATIVO, DERECHOS DE PUBLICIDAD, DERECHOS DE PROPIEDAD INTELECTUAL, DERECHOS RELATIVOS A LA PROTECCIÓN DE DATOS Y OTROS DERECHOS RELATIVOS A LA PRIVACIDAD. NO UTILIZARÁ ESTE PRODUCTO PARA NINGÚN USO FINAL PROHIBIDO, INCLUYENDO EL DESARROLLO O LA PRODUCCIÓN DE ARMAS DE DESTRUCCIÓN MASIVA, EL DESARROLLO O PRODUCCIÓN DE ARMAS QUÍMICAS O BIOLÓGICAS, NINGUNA ACTIVIDAD EN EL CONTEXTO RELACIONADO CON ALGÚN EXPLOSIVO NUCLEAR O EL CICLO DE COMBUSTIBLE NUCLEAR INSEGURO O EN APOYO DE ABUSOS DE LOS DERECHOS HUMANOS.

EN CASO DE HABER CONFLICTO ENTRE ESTE MANUAL Y LA LEGISLACIÓN VIGENTE, ESTA ÚLTIMA PREVALECE.

**Estas cláusulas solo se aplican a los productos que lleven la marca o la información correspondiente.**

#### Declaración de cumplimiento de la UE



Este producto, así como los accesorios suministrados (si procede), tienen el marcado «CE» y, por lo tanto, cumplen con las normativas europeas armonizadas aplicables que se enumeran en la Directiva 2014/30/UE (CEM), la Directiva 2014/35/UE (LVD) y la Directiva 2011/65/UE (RoHS). Por la presente, Hangzhou Hikvision Digital Technology Co., Ltd. declara que este dispositivo (consulte la etiqueta) cumple con la Directiva 2014/53/UE.

El texto completo de la declaración UE de conformidad está disponible en la siguiente dirección de internet:

<https://www.hikvision.com/en/support/compliance/declaration-of-conformity>.

Bandas de frecuencia y potencia (para la CE)

Las bandas de frecuencia y los límites de potencia de transmisión (radiada y/o conducida) aplicables a los siguientes equipos de radio son:

Modelo de equipo	Bandas de frecuencia y potencia
DS-2XS*W*	Wifi a 2,4 GHz (2,4 GHz-2,4834 GHz): 20 dBm

En el caso de los dispositivos suministrados sin adaptador de corriente, utilice un adaptador de corriente de un fabricante cualificado. Consulte las especificaciones técnicas del producto para conocer los requisitos eléctricos detallados.

En el caso de los dispositivos suministrados sin batería, utilice una batería de un fabricante cualificado. Consulte las especificaciones técnicas del producto para conocer los requisitos detallados de la batería.



Directiva 2012/19/UE (directiva RAEE): En la Unión Europea, los productos marcados con este símbolo no pueden ser desechados en el sistema de basura municipal sin recogida selectiva. Para un reciclaje

adecuado, entregue este producto en el lugar de compra del equipo nuevo equivalente o deshágase de él en el punto de recogida designado a tal efecto. Para más información visite: [www.recyclethis.info](http://www.recyclethis.info).



Directiva 2006/66/CE y su enmienda 2013/56/UE (directiva sobre baterías): Este producto lleva una batería que no puede ser desechada en el sistema municipal de basuras sin recogida selectiva dentro de

la Unión Europea. Consulte la documentación del producto para ver la información específica de la batería. La batería lleva marcado este símbolo, que incluye unas letras indicando si contiene cadmio (Cd), plomo (Pb), o mercurio (Hg). Para un reciclaje adecuado, entregue la batería a su vendedor o llévela al punto de recogida de basuras designado a tal efecto. Para más información visite: [www.recyclethis.info](http://www.recyclethis.info).

#### Información de seguridad

Lea detenidamente toda la información de seguridad antes de usar el dispositivo.

- Para usar el producto debe cumplir estrictamente con la normativa de seguridad eléctrica de su país y región.
- En ubicaciones especiales, como en la cima de una montaña, en una torre de hierro y en un bosque, instale un supresor de sobretensiones en la abertura de entrada del equipo.
- Para dispositivos que se encienden y apagan únicamente mediante enchufe y toma de corriente, la toma se debe instalar junto al dispositivo y debe tener fácil acceso.
- No toque los componentes descubiertos (como los contactos metálicos de las entradas) y espere al menos 5 minutos, ya que puede seguir habiendo electricidad después de apagar el aparato.
- No se trague las pilas. ¡Peligro de quemaduras químicas!
- Este producto incorpora una pila de botón. Si se traga la pila de botón, podría sufrir quemaduras internas de importancia en solo 2 horas que podrían ocasionarle la muerte.
- Mantenga las baterías nuevas y usadas fuera del alcance de los niños.
- Si el compartimento de la batería no cierra debidamente, deje de usar el producto y manténgalo fuera del alcance de los niños.
- Si sospecha que una batería ha sido tragada o introducida en alguna parte del cuerpo, busque atención médica de inmediato.
- PRECAUCIÓN: Riesgo de explosión si se reemplaza la batería por otra de tipo incorrecto.
- Una sustitución inadecuada de la batería por otra de tipo incorrecto podría inhabilitar alguna medida de protección (por ejemplo, en el caso de algunas baterías de litio).
- No arroje la batería al fuego ni la meta en un horno caliente, ni intente aplastar o cortar mecánicamente la batería, ya que podría explotar.
- No deje la batería en lugares con temperaturas extremadamente altas, ya que podría explotar o tener fugas de líquido electrolítico o gas inflamable.
- No permita que la batería quede expuesta a una presión de aire extremadamente baja, ya que podría explotar o tener fugas de líquido electrolítico o gas inflamable.
- Deshágase de las baterías usadas conforme a las instrucciones.
- "+" identifica los terminales positivos del dispositivo que se utiliza o genera corriente continua y "-" identifica los

terminales negativos del dispositivo que se utiliza o genera corriente continua.

- No coloque llamas descubiertas, como velas encendidas, sobre el dispositivo.
- Si el puerto serial del dispositivo se usa solo para depuración, solo los profesionales o el soporte técnico debe realizar el mantenimiento del dispositivo.



- Para el dispositivo con la pegatina



, preste atención a las siguientes advertencias:

**PRECAUCIÓN:** ¡Elementos calientes! No tocar. Puede quemarse los dedos al manipular esas partes. Espere media hora después de apagar el equipo para tocar las partes.

- Este equipo no es adecuado para utilizarlo en lugares donde pueda haber niños.
- Si es necesario instalar el dispositivo:
  1. Instale el dispositivo de acuerdo con las instrucciones de la Guía de inicio rápido.
  2. Para evitar lesiones, este dispositivo debe fijarse firmemente a la superficie de instalación de acuerdo con las instrucciones de instalación.
- Nunca coloque el dispositivo en un lugar inestable. El dispositivo puede caerse y causar lesiones personales graves o la muerte.
- Si el dispositivo se puede montar en la pared o en el techo, la superficie de montaje deberá poder soportar una fuerza

adicional de tres veces el peso del dispositivo, pero no inferior a 50 N. El dispositivo y sus respectivos elementos de fijación deberán permanecer bien sujetos durante la instalación. Tras la instalación, no se debe dañar el equipo ni tampoco las placas de montaje asociadas.

- **PRECAUCIÓN:** Si el soporte está diseñado para un modelo de dispositivo específico de nuestra empresa, utilice el soporte únicamente con el dispositivo correspondiente. El uso con otros dispositivos puede provocar inestabilidad y causar lesiones.
- **PRECAUCIÓN:** Si es necesario instalar el dispositivo con un soporte específico de nuestra empresa, utilice únicamente el soporte correspondiente. El uso de otros (como carros, soportes y transportadores) puede provocar inestabilidad y causar lesiones. Consulte la hoja de datos del dispositivo para conocer los detalles del modelo de soporte.
- Si debe realizar la instalación eléctrica del equipo usted mismo, seleccione el cable de alimentación correspondiente según los parámetros eléctricos indicados en el dispositivo. Con un pelacables convencional, pele el cable en la posición correspondiente. Para evitar posibles daños graves, la longitud del cable pelado deberá ser la adecuada y los conductores no deberán quedar expuestos.
- Asegúrese de que se ha cortado la alimentación eléctrica antes de conectar, instalar o desmontar el dispositivo.
- Si hay presencia de humo, olores o ruidos procedentes del dispositivo, apague la alimentación inmediatamente, desenchufe el cable de alimentación y contacte con el servicio técnico.

## Italiano

### Conformità normativa e informazioni sulla sicurezza

Leggere accuratamente tutte le informazioni e le istruzioni riportate in questo documento prima di usare il dispositivo e conservarlo per consultazioni future.

Per altre informazioni e istruzioni sul dispositivo, consultare il nostro sito web <https://www.hikvision.com>. Per ulteriori informazioni, è possibile consultare altri documenti (se disponibili) in dotazione con il dispositivo o scansionare il codice QR sulla confezione (se presente).

### Esclusione di responsabilità

NELLA MISURA MASSIMA CONSENTITA DALLA LEGGE VIGENTE, QUESTO MANUALE E IL PRODOTTO DESCRITTO, CON IL SUO HARDWARE, SOFTWARE E FIRMWARE, SONO FORNITI "COSÌ COME SONO" E "CON TUTTI I DIFETTI E GLI ERRORI". HIKVISION NON RILASCIA ALCUNA GARANZIA, NÉ ESPRESSA NÉ IMPLICITA COME, SOLO A TITOLO DI ESEMPIO, GARANZIE DI COMMERCIALITÀ, QUALITÀ SODDISFACENTE O IDONEITÀ PER UN USO SPECIFICO. L'UTENTE UTILIZZA IL PRODOTTO A PROPRIO RISCHIO. HIKVISION DECLINA QUALSIASI RESPONSABILITÀ VERSO L'UTENTE IN RELAZIONE A DANNI SPECIALI, CONSEGUENZIALI E INCIDENTALI, COMPRESI, TRA GLI ALTRI, I DANNI DERIVANTI DA MANCATO PROFITTO, INTERRUZIONE DELL'ATTIVITÀ O PERDITA DI DATI, DANNEGGIAMENTO DI SISTEMI O PERDITA DI DOCUMENTAZIONE, DERIVANTI DA INADEMPIENZA CONTRATTUALE, ILLECITO (COMPRESA LA NEGLIGENZA), RESPONSABILITÀ PER DANNI AI PRODOTTI O ALTRIMENTI IN RELAZIONE ALL'USO DEL PRODOTTO, ANCHE QUALORA HIKVISION SIA STATA INFORMATA DELLA POSSIBILITÀ DI TALI DANNI O PERDITE.

L'UTENTE RICONOSCE CHE LA NATURA DI INTERNET PREVEDE RISCHI DI SICUREZZA INTRINSECI E CHE HIKVISION DECLINA QUALSIASI RESPONSABILITÀ IN RELAZIONE A FUNZIONAMENTI ANOMALI, VIOLAZIONE DELLA RISERVATEZZA O ALTRI DANNI RISULTANTI DA ATTACCHI INFORMATICI, INFEZIONI DA VIRUS O ALTRI RISCHI LEGATI ALLA SICUREZZA SU INTERNET; TUTTAVIA, HIKVISION FORNIRÀ TEMPESTIVO SUPPORTO TECNICO, SE NECESSARIO.

L'UTENTE ACCETTA DI UTILIZZARE IL PRODOTTO IN CONFORMITÀ A TUTTE LE LEGGI VIGENTI E DI ESSERE IL SOLO RESPONSABILE DI TALE UTILIZZO CONFORME. IN PARTICOLARE, L'UTENTE È RESPONSABILE DEL FATTO CHE L'UTILIZZO DEL PRODOTTO NON VIOLI DIRITTI DI TERZI COME, SOLO A TITOLO DI ESEMPIO, DIRITTI DI PUBBLICITÀ, DIRITTI DI PROPRIETÀ INTELLETTUALE O DIRITTI RELATIVI ALLA PROTEZIONE DEI DATI E ALTRI DIRITTI RIGUARDANTI LA PRIVACY. NON È CONSENTITO UTILIZZARE QUESTO PRODOTTO PER SCOPI PROIBITI, COME, TRA GLI ALTRI, LA PRODUZIONE DI ARMI DI DISTRUZIONE DI MASSA, LO SVILUPPO O LA PRODUZIONE DI ARMI CHIMICHE O BIOLOGICHE, QUALSIASI ATTIVITÀ SVOLTA IN CONTESTI CORRELATI A ESPLOSIVI NUCLEARI O COMBUSTIBILI NUCLEARI NON SICURI O ATTIVITÀ CHE CAUSINO VIOLAZIONI DEI DIRITTI UMANI.

IN CASO DI CONFLITTO TRA IL PRESENTE MANUALE E LA LEGGE VIGENTE, PREVARRÀ QUEST'ULTIMA.

---

**Queste clausole si applicano solo ai prodotti recanti il marchio o le informazioni corrispondenti.**

---

## Dichiarazione di conformità UE



Questo prodotto e gli eventuali accessori in dotazione sono contrassegnati con il marchio "CE", quindi sono conformi alle norme europee

armonizzate vigenti di cui alle direttive 2014/30/UE (CEM), 2014/35/UE (direttiva Bassa Tensione) e 2011/65/UE (RoHS).

Con la presente, Hangzhou Hikvision Digital Technology Co., Ltd. dichiara che il dispositivo (fare riferimento all'etichetta) è conforme alla direttiva 2014/53/UE.

Il testo completo della Dichiarazione di conformità della UE è disponibile alla seguente pagina Internet:

<https://www.hikvision.com/en/support/compliance/declaration-of-conformity>.

Bande di frequenza e potenza (per CE)

I limiti nominali delle bande di frequenza e della potenza di trasmissione (irradiata e/o condotta) applicabili alla seguente apparecchiatura radio sono:

Modello apparecchiatura	Bande di frequenza e potenza
DS-2XS*W*	Wi-Fi da 2,4 GHz (da 2,4 a 2,4834 GHz): 20 dBm

Per dispositivi senza alimentatore in dotazione, usare alimentatori forniti da un produttore qualificato. Fare riferimento alle specifiche del prodotto per i requisiti di alimentazione dettagliati. Per i dispositivi senza batteria in dotazione, utilizzare una batteria fornita da un produttore qualificato. Fare riferimento alle specifiche del prodotto per i requisiti di batteria dettagliati.



Direttiva 2012/19/UE (RAEE): i prodotti contrassegnati con il presente simbolo non possono essere smaltiti come rifiuti domestici indifferenziati nell'Unione europea. Per lo smaltimento corretto, restituire il

prodotto al rivenditore in occasione dell'acquisto di un nuovo dispositivo o smaltirlo nei punti di raccolta autorizzati. Ulteriori informazioni sono disponibili sul sito: [www.recyclethis.info](http://www.recyclethis.info).



Direttiva 2006/66/CE, modificata dalla direttiva 2013/56/UE (direttiva batterie): questo prodotto contiene una batteria e non è possibile smaltirlo con i rifiuti domestici indifferenziati nell'Unione europea.

Consultare la documentazione del prodotto per le informazioni specifiche sulla batteria. La batteria è contrassegnata con il presente simbolo, che potrebbe includere le sigle di cadmio (Cd), piombo (Pb) o mercurio (Hg). Per lo smaltimento corretto, restituire la batteria al rivenditore locale o smaltirla nei punti di raccolta autorizzati. Ulteriori informazioni sono disponibili sul sito: [www.recyclethis.info](http://www.recyclethis.info).



## Informazioni di sicurezza

Leggere accuratamente le informazioni di sicurezza prima dell'uso.

- Durante l'uso del prodotto è indispensabile rispettare rigorosamente le normative nazionali e locali sulla sicurezza elettrica.
- Predisporre un limitatore di sovracorrente in corrispondenza dell'apertura delle prese d'aria del dispositivo in condizioni ambientali particolari, come vette di montagne, tralicci metallici o foreste.
- Se il dispositivo viene acceso e spento solo tramite spina e presa di corrente, la presa deve essere installata vicino al dispositivo e facilmente accessibile.

- Non toccare i componenti scoperti (come i contatti metallici delle prese) e attendere almeno 5 minuti dopo lo spegnimento dell'interruttore, perché è possibile che sia presente dell'elettricità residua.
- Non ingerire le batterie. Pericolo di ustioni chimiche!
- Questo prodotto contiene una batteria a bottone. Se ingerita, questo tipo di batteria può causare gravi ustioni interne in sole 2 ore e portare anche alla morte.
- Tenere le batterie nuove e quelle usate lontano dalla portata dei bambini.
- Se il vano batteria non si chiude bene, interrompere l'uso del prodotto e tenerlo lontano dai bambini.
- Se si pensa che una batteria possa essere stata ingerita o possa essere penetrata in qualsiasi parte del corpo, rivolgersi immediatamente a un medico.
- ATTENZIONE: esiste il rischio di esplosione se la batteria viene sostituita con una di tipo non corretto.
- La sostituzione della batteria con una di tipo non idoneo può impedire il corretto funzionamento dei sistemi di sicurezza (ad esempio con alcuni tipi di batterie al litio).
- Non gettare le batterie nel fuoco o in un forno caldo ed evitare di schiacciarle o tagliarle, per prevenire il rischio di esplosioni.
- Le batterie esposte a temperature ambientali eccessive possono esplodere o perdere liquidi o gas infiammabili.
- Le batterie sottoposte a una pressione atmosferica estremamente bassa possono esplodere o perdere liquidi o gas infiammabili.
- Smaltire le batterie usate seguendo le istruzioni.
- "+" identifica i terminali positivi del dispositivo utilizzato con corrente continua o che la genera, "-" identifica i terminali negativi del dispositivo utilizzato con corrente continua o che la genera.
- Non posizionare fiamme libere, come candele accese, al di sopra del dispositivo.
- Se la porta seriale del dispositivo viene utilizzata solo per il debug, questa operazione è riservata solo ai professionisti o all'assistenza tecnica per la manutenzione del dispositivo.



- Per il dispositivo con adesivo  o , prestare attenzione alle seguenti precauzioni:  
ATTENZIONE: Elementi caldi! Non toccare. Rischio di ustioni alle dita se si maneggiano questi elementi. Attendere mezz'ora dallo spegnimento prima di toccare gli elementi del dispositivo.
- Non utilizzare il dispositivo in ambienti in cui possono essere presenti bambini.
- Se è necessario installare il dispositivo:
  1. Installare il dispositivo attenendosi alle istruzioni presenti nella Guida introduttiva.
  2. Per evitare il rischio di lesioni personali, questo dispositivo deve essere fissato saldamente alla superficie di installazione, come indicato nelle relative istruzioni.
- Non posizionare mai il dispositivo in una posizione instabile. Il dispositivo potrebbe cadere, causando lesioni personali gravi o mortali.
- Se il dispositivo supporta l'installazione a parete o a soffitto, la superficie di installazione deve essere in grado di sostenere una forza pari a tre volte il peso del dispositivo e non inferiore a 50 N. Sia il dispositivo che gli elementi di montaggio associati devono essere ben assicurati durante l'installazione. Dopo



l'installazione, il dispositivo, inclusa l'eventuale piastra di montaggio, non devono subire danni.

- **ATTENZIONE:** Se la staffa è stata progettata per un modello specifico di dispositivo fornito dalla nostra azienda, utilizzare la staffa solo con il dispositivo corrispondente. L'uso con altri dispositivi può provocare l'instabilità dell'impianto e possibili lesioni.
- **ATTENZIONE:** Se il dispositivo deve essere installato con una staffa specificatamente fornita dalla nostra azienda, utilizzare solo la staffa corrispondente. L'utilizzo di altri tipi di dispositivi di sostegno (come carrelli, stativi e supporti) può causare l'instabilità dell'impianto e possibili lesioni. Per maggiori

dettagli sul modello della staffa, consultare la scheda tecnica del dispositivo.

- Per effettuare il cablaggio in autonomia, selezionare i fili di alimentazione in base ai parametri elettrici indicati sull'etichetta del dispositivo. Spellare i fili nei punti opportuni utilizzando un normale spellacavi. Per evitare conseguenze gravi, la lunghezza dei fili spellati deve essere adeguata e i conduttori non devono risultare scoperti.
- Controllare che l'alimentazione sia interrotta, prima di cablare, installare o disassemblare il dispositivo.
- Se il dispositivo emette fumo, odori o rumori, spegnerlo immediatamente e scollegare il cavo di alimentazione, quindi rivolgersi a un centro di assistenza.

## Português

### Conformidade regulamentar e informações relacionadas com a segurança

Leia atentamente todas as informações e instruções presentes neste documento antes de utilizar o dispositivo e guarde-o para futura consulta.

Para mais informações e instruções relativas ao dispositivo, visite o nosso website em <https://www.hikvision.com>. Também pode consultar outros documentos (se existentes) que acompanhem o dispositivo, ou fazer a leitura do código QR (se existente) na embalagem para obter mais informações.

#### Aviso legal

NA MEDIDA MÁXIMA PERMITIDA PELA LEI APLICÁVEL, ESTE MANUAL E O PRODUTO DESCRITO, COM O SEU HARDWARE, SOFTWARE E FIRMWARE, SÃO FORNECIDOS "TAL COMO ESTÃO" E "COM TODAS AS SUAS FALHAS E ERROS". A HIKVISION EXCLUI, DE FORMA EXPLÍCITA OU IMPLÍCITA, GARANTIAS DE, INCLUINDO E SEM LIMITAÇÃO, COMERCIALIZAÇÃO, QUALIDADE DO SERVIÇO OU ADEQUAÇÃO A UMA FINALIDADE ESPECÍFICA. A SUA UTILIZAÇÃO DESTE PRODUTO É FEITA POR SUA CONTA E RISCO. EM CIRCUNSTÂNCIA ALGUMA A HIKVISION SERÁ RESPONSÁVEL PERANTE O UTILIZADOR EM RELAÇÃO A QUAISQUER DANOS ESPECIAIS, CONSEQUENCIAIS, INCIDENTAIS OU INDIRETOS, INCLUINDO, ENTRE OUTROS, DANOS PELA PERDA DE LUCROS COMERCIAIS, INTERRUPÇÃO DA ATIVIDADE, PERDA DE DADOS, CORRUPÇÃO DE SISTEMAS OU PERDA DE DOCUMENTAÇÃO SEJA COM BASE NUMA VIOLAÇÃO DO CONTRATO, ATOS ILÍCITOS (INCLUÍDO NEGLIGÊNCIA), RESPONSABILIDADE PELO PRODUTO OU, DE OUTRO MODO, RELACIONADA COM A UTILIZAÇÃO DO PRODUTO, AINDA QUE A HIKVISION TENHA SIDO ADVERTIDA QUANTO À POSSIBILIDADE DE TAIS DANOS OU PERDAS. O UTILIZADOR RECONHECE QUE A NATUREZA DA INTERNET OFERECE RISCOS DE SEGURANÇA INERENTES E QUE A HIKVISION NÃO SERÁ RESPONSABILIZADA POR UM FUNCIONAMENTO ANORMAL, PERDA DE PRIVACIDADE OU OUTROS DANOS RESULTANTES DE ATAQUES INFORMÁTICOS, ATAQUES DE PIRATARIA, INFEÇÃO POR VÍRUS OU OUTROS RISCOS ASSOCIADOS À SEGURANÇA DA INTERNET. NO ENTANTO, A HIKVISION PRESTARÁ APOIO TÉCNICO ATEMPADO, SE SOLICITADO. O UTILIZADOR ACEITA UTILIZAR ESTE PRODUTO EM CONFORMIDADE COM TODAS AS LEIS APLICÁVEIS E SER O ÚNICO RESPONSÁVEL POR GARANTIR QUE A SUA UTILIZAÇÃO É CONFORME À LEI APLICÁVEL. PARTICULARMENTE, O UTILIZADOR É O RESPONSÁVEL PELA UTILIZAÇÃO DESTE PRODUTO DE MODO QUE NÃO INFIRJA OS DIREITOS DE TERCEIROS, INCLUINDO,

ENTRE OUTROS, OS DIREITOS DE PUBLICIDADE, DIREITOS DE PROPRIEDADE INTELECTUAL OU DE PROTEÇÃO DE DADOS, OU QUAISQUER OUTROS DIREITOS DE PRIVACIDADE. O UTILIZADOR NÃO PODERÁ UTILIZAR ESTE PRODUTO PARA QUAISQUER UTILIZAÇÕES FINAIS PROIBIDAS, INCLUINDO O DESENVOLVIMENTO OU PRODUÇÃO DE ARMAS DE DESTRUIÇÃO MACIÇA, DESENVOLVIMENTO OU PRODUÇÃO DE QUÍMICOS OU ARMAS BIOLÓGICAS, QUAISQUER ATIVIDADES DESENVOLVIDAS NO ÂMBITO DE EXPLOSIVOS NUCLEARES OU CICLOS DE COMBUSTÍVEL NUCLEAR INSEGURO OU PARA APOIAR ABUSOS AOS DIREITOS HUMANOS.

NA EVENTUALIDADE DA OCORRÊNCIA DE ALGUM CONFLITO ENTRE ESTE MANUAL E A LEGISLAÇÃO APLICÁVEL, ESTA ÚLTIMA PREVALECE.

---

**As presentes cláusulas aplicam-se apenas aos produtos que apresentam a marcação ou informação correspondentes.**

---

#### Declaração de conformidade da UE



Este produto e - se aplicável - os acessórios fornecidos também têm a marcação "CE" e estão em conformidade com as normas europeias

harmonizadas aplicáveis enumeradas na diretiva 2014/30/UE (CEM), na diretiva 2014/35/UE (LVD) e na diretiva 2011/65/UE (RSP).

Pelo presente documento, a Hangzhou Hikvision Digital Technology Co., Ltd. declara que este dispositivo (consultar rótulo) se encontra em conformidade com a Diretiva 2014/53/UE.

O texto integral da declaração de conformidade UE está disponível na seguinte página de internet:

<https://www.hikvision.com/en/support/compliance/declaration-of-conformity>.

Bandas de frequência e potência (para CE)

As bandas de frequência e os limites nominais da potência de transmissão (radiada e/ou conduzida) aplicáveis ao equipamento de rádio abaixo são os seguintes:

Modelo do equipamento	Bandas de frequência e potência
DS-2XS*W*	Wi-Fi 2,4 GHz (2,4 GHz – 2,4834 GHz): 20 dBm

Para dispositivos sem adaptador de alimentação incluído, utilize um adaptador de alimentação fornecido por um fabricante

qualificado. Para informações detalhadas sobre os requisitos relativos à alimentação, consulte as especificações do produto. Para dispositivos sem bateria incluída, utilize uma bateria fornecida por um fabricante qualificado. Para informações detalhadas sobre os requisitos relacionados com a bateria, consulte as especificações do produto.



Diretiva 2012/19/UE (diretiva REEE): Os produtos com este símbolo não podem ser eliminados como resíduos urbanos indiferenciados na União Europeia.

Para uma reciclagem adequada, devolva este produto ao seu fornecedor local quando adquirir um novo equipamento equivalente ou elimine-o através dos pontos de recolha adequados. Para mais informações, consulte: [www.recyclethis.info](http://www.recyclethis.info).



Diretiva 2006/66/CE e respetiva alteração 2013/56/UE (diretiva relativa às pilhas e baterias): Este produto contém uma bateria que não pode ser eliminada como resíduo urbano indiferenciado na União Europeia.

Consulte a documentação do produto para obter informações específicas acerca da bateria. A bateria está marcada com este símbolo, que poderá incluir inscrições para indicar a presença de cádmio (Cd), chumbo (Pb), ou mercúrio (Hg). Para reciclar o produto de forma adequada, devolva a bateria ao seu fornecedor ou coloque-a num ponto de recolha apropriado. Para mais informações, consulte: [www.recyclethis.info](http://www.recyclethis.info).


### Informações relacionadas com a segurança

Antes da utilização, leia atentamente todas as informações relacionadas com a segurança.

- Durante a utilização do produto, o utilizador tem de estar em estrita conformidade com as normas de segurança elétrica do país e região.
- Providencie um supressor de picos na abertura da entrada do dispositivo em condições especiais, como no cimo de uma montanha, numa torre de ferro ou na floresta.
- Nos dispositivos ligados e desligados apenas por ficha e tomada, a tomada deve ser instalada perto do dispositivo e ser facilmente acessível.
- Não toque nos componentes desprotegidos (tais como os contactos metálicos das entradas) e aguarde pelo menos 5 minutos, uma vez que a eletricidade pode ainda manter-se depois de desligar o disjuntor.
- Não ingira a pilha. Perigo de queimadura causada por produtos químicos!
- Este produto contém uma pilha celular tipo botão. Se a pilha celular tipo botão for engolida, pode causar queimaduras internas graves em apenas 2 horas e pode provocar a morte.
- Mantenha as pilhas novas e usadas longe do alcance das crianças.
- Se o compartimento da pilha não fechar de forma segura, suspenda a utilização do produto e mantenha-o longe do alcance das crianças.
- Se acredita ter ingerido ou colocado uma pilha no interior do organismo, consulte um médico de imediato.
- ADVERTÊNCIA: Existe risco de explosão se a bateria for substituída por outra de tipo incorreto.
- A substituição incorreta da bateria por outra de tipo incorreto pode destruir uma proteção (por exemplo, no caso de alguns tipos de bateria de lítio).

- Não proceda à eliminação da bateria numa fogueira ou forno quente, ou mediante esmagamento ou corte mecânico da mesma pois tal pode resultar numa explosão.
- Não deixe a bateria num ambiente com temperaturas extremamente elevadas pois tal pode resultar numa explosão ou na fuga de líquido inflamável ou gás.
- Não sujeite a bateria a pressão de ar extremamente baixa pois tal poderá resultar numa explosão de líquido inflamável ou gás.
- Elimine pilhas/baterias usadas de acordo com as instruções.
- "+" identifica os terminais positivos do dispositivo que é utilizado com, ou gera, corrente direta e "-" identifica o(s) terminal(is) negativo(s) do dispositivo que é utilizado com, ou gera, corrente direta.
- Não deverão ser colocadas fontes de chama livre, como velas acesas, sobre o dispositivo.
- Se a porta série do dispositivo é utilizada apenas para a depuração, é reservada apenas a profissionais ou técnicos para a manutenção do dispositivo.



- Nos dispositivos com um autocolante  ou



, tenha atenção aos seguintes avisos:

- ADVERTÊNCIA: Peças quentes! Não toque. Queimadura dos dedos resultante do manuseamento das peças. Desligue o equipamento, aguarde trinta minutos e só então deverá manusear as peças.
- Este equipamento não se adequa a utilização em locais onde a presença de crianças seja provável.
  - Se for necessário instalar o dispositivo,
    1. Instale o dispositivo de acordo com as instruções no Guia de início rápido.
    2. Para evitar a ocorrência de lesões, este dispositivo deve ser corretamente fixado na superfície da instalação em conformidade com as instruções de instalação.
  - Nunca coloque o dispositivo num local instável. O dispositivo pode cair e causar lesões corporais graves ou morte.
  - Se o dispositivo puder ser montado na parede ou no teto, a superfície de montagem deve ter capacidade para aguentar uma força adicional equivalente a três vezes o peso do dispositivo, mas não inferior a 50 N. O dispositivo e os meios de montagem associados devem permanecer seguros durante a instalação. Após a instalação, o dispositivo, incluindo qualquer placa de montagem associada, não devem estar danificados.
  - ADVERTÊNCIA: Se o suporte estiver concebido para um modelo de dispositivo específico da nossa empresa, apenas utilize o suporte com o dispositivo correspondente. A utilização com outros dispositivos pode resultar em instabilidade e causar ferimentos.
  - ADVERTÊNCIA: Se o dispositivo tiver de ser instalado com um suporte específico da nossa empresa, use apenas o suporte correspondente. A utilização de outro equipamento (como carrinhos, andaimes e transportadores) pode resultar em instabilidade e causar ferimentos. Consulte a ficha de dados do dispositivo para detalhes sobre o modelo de suporte.
  - Se necessitar de ligar sozinho o dispositivo, selecione o fio correspondente à alimentação elétrica, de acordo com os parâmetros elétricos indicados no dispositivo. Descarne o fio

com um descarnador de cabos padrão na posição correspondente. Para evitar consequências graves, o comprimento do fio descarnado deve ser adequado e os condutores não devem ficar expostos.

- Certifique-se de que a alimentação está desligada antes de instalar ou desmontar o dispositivo, assim como antes de ligar cabos ao mesmo.
- Caso o dispositivo emita fumo, odores ou ruídos, desligue a alimentação elétrica de imediato, retire o cabo de alimentação da tomada e contacte o centro de assistência.

## Nederlands

### Informatie over naleving van regelgeving en veiligheid

Lees alle informatie en instructies in dit document aandachtig door voordat u het apparaat gebruikt en bewaar deze om ze later te kunnen raadplegen.

Voor meer informatie en instructies, bezoekt u onze website op <https://www.hikvision.com>. U kunt ook andere documenten (als die er zijn) die bij het apparaat zijn geleverd, raadplegen of u kunt de QR-code (als die er is) op de verpakking scannen om meer informatie te verkrijgen.

### Vrijwaringsclausule

VOOR ZOVER MAXIMAAL TOEGESTAAN OP GROND VAN HET TOEPASSELIJK RECHT, WORDEN DEZE HANDLEIDING EN HET OMSCHREVEN PRODUCT, INCLUSIEF HARDWARE, SOFTWARE EN FIRMWARE, GELEVERD 'ZOALS ZE ZIJN', INCLUSIEF 'FOUTEN EN GEBREKEN'. HIKVISION GEEFT GEEN GARANTIES, EXPLICIET NOCH IMPLICIET, MET INBEGRIJ EN ZONDER BEPERKING VAN OMTRENT VERKOOPBAARHEID, TEVREDENHEID OMTRENT KWALITEIT OF GESCHIKTHEID VOOR EEN BEPAALD DOEL. HET GEBRUIK VAN HET PRODUCT DOOR U IS OP EIGEN RISICO. IN GEEN GEVAL IS HIKVISION VERANTWOORDELIJK VOOR SPECIALE, BIJKOMENDE, INCIDENTELE OF INDIRECTE SCHADE, WAARONDER, ONDER ANDERE, SCHADE DOOR WINSTDERIVING, WERKONDERBREKING OF VERLIES VAN GEGEVENS, CORRUPTIE VAN SYSTEMEN OF VERLIES VAN DOCUMENTATIE, ONGEACHT OF DIT VOORTVLOEIT UIT CONTRACTBREUK, BENADELING (INCLUSIEF NALATIGHEID), PRODUCTAANSPRAKELIJKHEID OF ANDERS, MET BETREKKING TOT HET PRODUCT, ZELFS ALS HIKVISION OP DE HOOGTE IS GEBRACHT VAN DERGELIJKE SCHADE OF VERLIES.

U ERKENT DAT DE AARD VAN INTERNET INHERENTE VEILIGHEIDSRISICO'S MET ZICH MEE BRENGT, EN HIKVISION GEEN ENKELE VERANTWOORDELIJKHEID NEEMT VOOR ABNORMALE WERKING, PRIVACYLEKKEN OF ANDERE SCHADE DIE VOORTVLOEIT UIT CYBERAANVAL, HACKERAANVAL, VIRUSINFECTIE OF ANDERE INTERNETVEILIGHEIDSRISICO'S; HIKVISION BIJDT INDIEN NODIG ECHTER TIJDELIJK TECHNISCHE ONDERSTEUNING.

U GAAT AKKOORD MET HET GEBRUIK VAN DIT PRODUCT IN OVEREENSTEMMING MET ALLE TOEPASSELIJKE WETTEN EN U BENT ALS ENIGE VERANTWOORDELIJK VOOR DE GARANTIE DAT UW GEBRUIK OVEREENSTEMT MET DE TOEPASSELIJKE WET. U BENT VOORAL VERANTWOORDELIJK DAT HET GEBRUIK VAN DIT PRODUCT GEEN INBREUK PLEEGT OP DE RECHTEN VAN DERDEN, INCLUSIEF EN ZONDER BEPERKING DE RECHTEN VAN PUBLICITEIT, INTELLECTUEEL EIGENDOM OF GEGEVENS BESCHERMING EN ANDERE PRIVACYRECHTEN. U MAG DIT PRODUCT NIET GEBRUIKEN VOOR ENIGE VERBODEN EINDGEBRUIK, MET INBEGRIJ VAN DE ONTWIKKELING OF DE PRODUCTIE VAN MASSAVERNIETIGINGSWAPENS, DE ONTWIKKELING OF DE PRODUCTIE VAN CHEMISCHE OF BIOLOGISCHE WAPENS, ALLE ACTIVITEITEN IN HET KADER VAN EVENTUELE NUCLEAIRE EXPLOSIEVEN OF ONVEILIGE NUCLEAIRE BRANDSTOF CYCLUS, OF TER ONDERSTEUNING VAN MENSENRECHTENSCHENDINGEN.

IN HET GEVAL VAN ENIGE CONFLICTEN TUSSEN DEZE HANDLEIDING EN DE TOEPASSELIJKE WETGEVING, PREVALEERT DE LAATSTE.

**Deze clausules zijn alleen van toepassing op de producten die de overeenkomende markering of informatie dragen.**

### Nalevingsverklaring EU



Dit product en - indien van toepassing - de meegeleverde accessoires dragen het merkteken "CE" en voldoen derhalve aan de toepasselijke

geharmoniseerde Europese normen onder richtlijn 2014/30/EU (EMCD), richtlijn 2014/35/EU (LVD) en richtlijn 2011/65/EU (RoHS).

Hierbij verklaart Hangzhou Hikvision Digital Technology Co., Ltd. dat dit apparaat (zie het etiket) in overeenstemming is met Richtlijn 2014/53/EU.

De volledige tekst van de EU-conformiteitsverklaring is beschikbaar op het volgende internetadres:

<https://www.hikvision.com/en/support/compliance/declaration-of-conformity>.

Frequentiebanden en vermogen (voor CE)

De nominale limieten voor frequentiebanden en zendvermogen (uitgestraald en/of geleid) die van toepassing zijn op de volgende radioapparatuur zijn als volgt:

Apparaatmodel	Frequentiebanden en vermogen
DS-2XS*W*	Wifi 2,4 GHz (2,4 GHz – 2,4834 GHz): 20 dBm

Voor een apparaat zonder meegeleverde voedingsadapter, dient u de voedingsadapter te gebruiken van een gekwalificeerde fabrikant. Raadpleeg de productspecificaties voor nauwkeurig omschreven vereisten omtrent de voeding.

Voor een apparaat zonder meegeleverde batterij, dient u de batterij te gebruiken van een gekwalificeerde fabrikant. Raadpleeg de productspecificaties voor nauwkeurig omschreven vereisten omtrent de batterij.



Richtlijn 2012/19/EU (WEEE-richtlijn): Producten die met dit symbool zijn gemarkeerd mogen binnen de Europese Unie niet worden weggegooid als ongesorteerd huishoudelijk afval. Lever dit product

voor een juiste recycling in bij uw plaatselijke leverancier bij aankoop van soortgelijke nieuwe apparatuur, of breng het naar daarvoor aangewezen inzamelpunten. Raadpleeg voor meer informatie: [www.recyclethis.info](http://www.recyclethis.info).



Richtlijn 2006/66/EG en zijn amendement 2013/56/EU (Batterijrichtlijn): Dit product bevat een batterij die binnen de Europese Unie niet mag worden weggegooid als ongesorteerd huishoudelijk afval. Zie de productdocumentatie voor specifieke informatie over de batterij. De batterij is gemarkeerd met dit symbool, dat letters kan

bevatten die cadmium (Cd), lood (Pb) of kwik (Hg) aanduiden. Lever de batterij voor een juiste recycling in bij uw leverancier of bij een daarvoor aangewezen inzamelpunt. Raadpleeg voor meer informatie: [www.recyclethis.info](http://www.recyclethis.info).

### Veiligheidsinformatie

Lees alle veiligheidsinformatie aandachtig door vóór het gebruik.

- U moet zich bij het gebruik van het product strikt houden aan de elektrische veiligheidsvoorschriften van het land en de regio.
- Zorg voor een overspanningsbeveiliging bij de inlaatopening van het apparaat onder speciale omstandigheden, zoals op een bergtop, ijzeren toren en in het bos.
- Om het apparaat alleen via de voedingsstekker en het stopcontact in en uit te schakelen, moet het stopcontact dicht bij het apparaat zijn geïnstalleerd en gemakkelijk toegankelijk zijn.
- Raak de blootgestelde componenten (zoals metalen contacten van de ingangen) niet aan en wacht ten minste 5 minuten, omdat er nog elektriciteit aanwezig kan zijn nadat het apparaat uitgeschakeld.
- Slik de batterij niet in. Gevaar voor chemische brandwonden!
- Dit product bevat een knoopbatterij. Als de knoopbatterij wordt ingeslikt, kan dat binnen slechts 2 uur leiden tot hevige interne brandwonden en kan dit de dood tot gevolg hebben.
- Houd nieuwe en gebruikte batterijen buiten bereik van kinderen.
- Als het batterijvak niet goed sluit, gebruik het product dan niet langer en houd het buiten bereik van kinderen.
- Als u vermoedt dat de batterijen zijn ingeslikt of in enig deel van het lichaam zijn gebracht, roep dan onmiddellijk medische hulp in.
- LET OP: Er bestaat explosiegevaar wanneer de batterij door een onjuist type wordt vervangen.
- Onjuiste vervanging van de batterij door een onjuist type kan een beveiliging omzeilen (bijvoorbeeld in het geval van sommige typen lithiumbatterijen).
- Gooi de batterij niet in vuur of een hete oven en plet of snij de batterij niet op mechanische wijze, want dat kan een explosie veroorzaken.
- Laat de batterij niet in een omgeving met een extreem hoge temperatuur liggen, want dat kan een explosie of het lekken van brandbare vloeistof of gas tot gevolg hebben.
- Stel de batterij niet bloot aan extreem lage luchtdruk, want dat kan een explosie of het lekken van brandbare vloeistof of gas tot gevolg hebben.
- Verwijder gebruikte batterijen in overeenstemming met de instructies.
- + identificeert de positieve polen van het apparaat dat wordt gebruikt met, of gelijkstroom genereert, en - identificeert de negatieve polen van het apparaat dat wordt gebruikt met, of gelijkstroom genereert.

- Plaats geen bronnen met open vuur, zoals brandende kaarsen, op het apparaat.
- Als de seriële poort van het apparaat alleen wordt gebruikt voor foutenopsporing, dan is deze alleen gereserveerd voor professionals of technische ondersteuning voor het onderhoud van het apparaat.



- Voor het apparaat met sticker of  of , moet u aandacht besteden aan de volgende waarschuwingen: LET OP: Hete onderdelen! Niet aanraken. Verbrande vingers bij het hanteren van de onderdelen. Wacht een half uur na uitschakelen voordat u de onderdelen beetpakt.
- Deze apparatuur is niet geschikt voor gebruik op locaties waar waarschijnlijk kinderen aanwezig zijn.
- Als de installatie van het apparaat nodig is,
  1. Installeer het apparaat volgens de instructies in de Snelstarthandleiding.
  2. Om letsel te voorkomen, moet dit apparaat veilig op het montagevlak worden vastgezet in overeenstemming met de installatie-instructies.
- Plaats het apparaat NOOIT op een onstabiele plaats. Het apparaat kan dan vallen, wat ernstig letsel of de dood tot gevolg kan hebben.
- Als het apparaat wand- of plafondmontage ondersteunt, moet het montagevlak de extra kracht kunnen weerstaan van drie keer het gewicht van het apparaat, maar niet minder dan 50 N. Het apparaat en de gekoppelde montagemiddelen moeten vast blijven zitten tijdens de installatie. Het apparaat, inclusief eventueel bijbehorende montageplaat, mag na de installatie niet worden beschadigd.
- LET OP: Als de beugel is ontworpen voor een specifiek apparaatmodel van ons bedrijf, gebruik de beugel dan alleen met het bijbehorende apparaat. Gebruik met andere apparaten kan leiden tot instabiliteit en letsel.
- LET OP: Als het apparaat moet worden geïnstalleerd met een specifieke beugel van ons bedrijf, gebruik dan alleen de bijbehorende beugel. Het gebruik van andere (zoals karretjes, standaards en dragers) kan leiden tot instabiliteit en letsel. Raadpleeg het gegevensblad van het apparaat voor gegevens over het beugelmodel.
- Als u het apparaat zelf moet bedraden, selecteert u de overeenkomende draad om stroom te leveren in overeenstemming met de elektrische parameters die op het apparaatlabel staan. Strip de draad met een standaard draadstripper op de overeenkomende positie. Om ernstige gevolgen te voorkomen, moet de lengte van de strip geschikt zijn en mogen de geleiders niet worden blootgesteld.
- Controleer eerst of de voeding is losgekoppeld voor u het apparaat bekabelt, installeert of demonteert.
- Als er rook, geur of geluid uit het apparaat komt, schakel het dan onmiddellijk uit, haal de stekker van het netsnoer uit het stopcontact en neem contact op met het servicecentrum.

**Čeština**

### Dodržování předpisů a bezpečnostní informace

Před použitím zařízení si pečlivě přečtěte všechny informace a pokyny v tomto dokumentu a dokument uschovejte pro pozdější použití.

Více informací a pokynů k tomuto zařízení najdete na našich webových stránkách <https://www.hikvision.com>. Další informace můžete také získat z ostatních dokumentů dodaných se zařízením.

(pokud byly nějaké dodány) nebo naskenováním QR kódu z obalu zařízení (pokud se na něm nějaký kód nachází).

#### Prohlášení o vyloučení odpovědnosti

TATO PŘÍRUČKA A POPISOVANÉ PRODUKTY VČETNĚ PŘÍSLUŠNÉHO HARDWARU, SOFTWARE A FIRMWARE JSOU V MAXIMÁLNÍM ROZSAHU PŘÍPUSTNÉM PODLE ZÁKONA POSKYTOVÁNY, „JAK STOJÍ A LEŽÍ“, A „SE VŠEMI VADAMI A CHYBAMI“. SPOLEČNOST HIKVISION NEPOSKYTUJE ŽÁDNÉ VÝSLOVNÉ ANI PŘEDPOKLÁDANÉ ZÁRUKY ZAHRNÚJÍCÍ MIMO JINÉ PRODEJNOST, USPOKOJIVOU KVALITU NEBO VHODNOST KE KONKRÉTNÍM ÚČELŮM. POUŽÍVÁNÍ TOHOTO PRODUKTU JE NA VAŠE VLASTNÍ RIZIKO. SPOLEČNOST HIKVISION V ŽÁDNÉM PŘÍPADĚ NENESE ODPOVĚDNOST ZA JAKÉKOLI ZVLÁŠTNÍ, NÁSLEDNÉ, NÁHODNÉ NEBO NEPŘÍMÉ ŠKODY ZAHRNÚJÍCÍ MIMO JINÉ ŠKODY ZE ZTRÁTY OBCHODNÍHO ZISKU, PŘERUŠENÍ OBCHODNÍ ČINNOSTI NEBO ZTRÁTY DAT, POŠKOZENÍ SYSTÉMŮ NEBO ZTRÁTY DOKUMENTACE V SOUVISLOSTI S POUŽÍVÁNÍM TOHOTO VÝROBKU BEZ OHLEDU NA TO, ZDA TAKOVÉ ŠKODY VZNIKLY Z DŮVODU PORUŠENÍ SMLOUVY, OBČANSKOPRÁVNÍHO PŘEČINU (VČETNĚ NEDBALOSTI) ČI ODPOVĚDNOSTI ZA VÝROBEK, A TO ANI V PŘÍPADĚ, ŽE SPOLEČNOST HIKVISION BYLA NA MOŽNOST TAKOVÝCHTO ŠKOD NEBO ZTRÁTY UPOZORNĚNA.


BERETE NA VĚDOMÍ, ŽE INTERNET SVOU PODSTATOU PŘEDSTAVUJE SKRYTÁ BEZPEČNOSTNÍ RIZIKA A SPOLEČNOST HIKVISION PROTO NEPŘEBÍRÁ ŽÁDNOU ODPOVĚDNOST ZA NESTANDARDNÍ PROVOZNÍ CHOVÁNÍ, ÚNIK OSOBNÍCH ÚDAJŮ NEBO JINÉ ŠKODY VYPLÝVAJÍCÍ Z KYBERNETICKÉHO ČI HACKERSKÉHO ÚTOKU, NAPADENÍ VIREM NEBO ŠKODY ZPŮSOBENÉ JINÝMI INTERNETOVÝMI BEZPEČNOSTNÍMI RIZIKY. SPOLEČNOST HIKVISION VŠAK V PŘÍPADĚ POTŘEBY POSKYTNE VČASNOU TECHNICKOU PODPORU.

SOUHLASÍTE S TÍM, ŽE TENTO PRODUKT BUDE POUŽÍVÁN V SOULADU SE VŠEMI PLATNÝMI ZÁKONY A VÝHRADNĚ ODPOVÍDÁTE ZA ZAJIŠTĚNÍ, ŽE VAŠE UŽÍVÁNÍ BUDE V SOULADU S PLATNOU LEGISLATIVOU. ODPOVÍDÁTE ZEJMÉNA ZA POUŽÍVÁNÍ PRODUKTU ZPŮSOBEM, KTERÝ NEPORUŠUJE PRÁVA TŘETÍCH STRAN, COŽ ZAHRNÚJE MIMO JINÉ PRÁVO NA OCHRANU OSOBNOSTI, PRÁVO DUŠEVNÍHO VLASTNICTVÍ NEBO PRÁVO NA OCHRANU OSOBNÍCH ÚDAJŮ A DALŠÍ PRÁVA NA OCHRANU SOUKROMÍ. TENTO PRODUKT NESMÍTE POUŽÍVAT K JAKÝMKOLI NEDOVOLENÝM KONCOVÝM ÚČELŮM VČETNĚ VÝVOJE ČI VÝROBY ZBRANÍ HROMADNÉHO NIČENÍ, VÝVOJE NEBO VÝROBY CHEMICKÝCH ČI BIOLOGICKÝCH ZBRANÍ NEBO JAKÝCHKOLI ČINNOSTÍ SOUVISEJÍCÍCH S JADERNÝMI VÝBUŠNINAMI NEBO NEBEZPEČNÝM JADERNÝM PALIVOVÝM CYKLEM ČI K PODPOŘE PORUŠOVÁNÍ LIDSKÝCH PRÁV.

V PŘÍPADĚ JAKÉHOKOLI ROZPORU MEZI TÍMTO NÁVODEM A PŘÍSLUŠNÝMI ZÁKONY PLATÍ DRUHÉ ZMÍNĚNÉ.

**Tyto části se vztahují pouze k výrobkům nesoucím odpovídající označení nebo informaci.**

#### Prohlášení o shodě EU

 Tento výrobek a případně i dodané příslušenství mají označení „CE“, a tudíž splňují požadavky platných harmonizovaných evropských norem uvedených ve směrnici 2014/30/EU (EMCD), směrnici 2014/35/EU (LVD) a směrnici 2011/65/EU (RoHS).

Společnost Hangzhou Hikvision Digital Technology Co., Ltd. tímto prohlašuje, že toto zařízení (viz štítek) je v souladu se směrnicí 2014/53/EU.

Plné znění EU prohlášení o shodě je k dispozici na následující internetové adrese:

<https://www.hikvision.com/en/support/compliance/declaration-of-conformity>.

Frekvenční pásma a výkon (pro CE)

Frekvenční pásma a jmenovité limity vysílacího výkonu (vyzařovaného anebo vedeného) platné pro následující rádiová zařízení jsou tato:

Model vybavení	Frekvenční pásma a výkon
DS-2XS*W*	Wi-Fi 2,4 GHz (2,4–2,483 4 GHz): 20 dBm

U zařízení bez dodaného napájecího adaptéru použijte napájecí adaptér dodaný kvalifikovaným výrobcem. Podrobné požadavky na napájení naleznete ve specifikaci výrobku.

U zařízení bez dodané baterie použijte baterii dodanou kvalifikovaným výrobcem. Podrobné požadavky na baterii naleznete ve specifikaci výrobku.



Směrnice 2012/19/EU (směrnice WEEE): Výrobky označené tímto symbolem nelze v Evropské unii likvidovat společně s netříděným domovním odpadem.

Při zakoupení nového ekvivalentního výrobku tento výrobek řádně zrecyklujte vrácením svému místnímu dodavateli, nebo jej zlikvidujte odevzdáním v určených sběrných místech. Další informace naleznete na adrese: [www.recyclethis.info](http://www.recyclethis.info).



Směrnice 2006/66/ES a její úprava 2013/56/EU (směrnice o bateriích): Tento výrobek obsahuje baterii, kterou nelze v Evropské unii likvidovat společně s netříděným domovním odpadem. Konkrétní informace o baterii naleznete v dokumentaci výrobku. Baterie je označena tímto symbolem, který může obsahovat písmena značící kadmium (Cd), olovo (Pb) nebo rtuť (Hg). Za účelem řádné recyklace baterii odevzdejte svému dodavateli nebo na určené sběrné místo. Další informace naleznete na adrese:

[www.recyclethis.info](http://www.recyclethis.info).



#### Bezpečnostní informace

Před použitím si pečlivě přečtěte všechny bezpečnostní pokyny.

- Při používání výrobku je nutné přísně dodržovat všechny národní a místní předpisy týkající se elektrické bezpečnosti.
- Ve speciálních podmínkách, jako je na vrcholcích hor, na kovové věži nebo v lese, namontujte do vstupního otvoru zařízení přepětovou ochranu.
- Pokud se zařízení zapíná a vypíná pouze pomocí napájecí zástrčky a síťové zásuvky, musí se síťová zásuvka nacházet v blízkosti zařízení a musí být snadno přístupná.
- Nedotýkejte se obnažených součástí (jako jsou kovové kontakty přívodů) a vyčkejte alespoň 5 minut, protože po vypnutí zařízení zde může ještě být elektrický proud.
- Zabraňte spolknutí baterie. Nebezpečí popálení chemikáliemi!
- Tento výrobek obsahuje knoflíkovou baterii. Dojde-li ke spolknutí knoflíkové baterie, může dojít k závažným popáleninám již za dvě hodiny, a následkem může být smrt.
- Nové a použité baterie uchovávejte mimo dosah dětí.
- Nezavře-li se bezpečně přihrádka na baterie, přestaňte výrobek používat a držte jej mimo dosah dětí.

- Pokud se domníváte, že mohlo dojít ke spolknutí baterií nebo jejich umístění uvnitř kterékoliv části těla, okamžitě vyhledejte lékařskou pomoc.
- UPOZORNĚNÍ: Při výměně baterie za nesprávný typ hrozí nebezpečí výbuchu.
- Vyměníte-li baterii za nesprávný typ, může dojít k poškození bezpečnostního prvku (například v případě některých typů lithiových baterií).
- Nevhazujte do ohně, nekládejte do horké trouby, mechanicky ji nedrťte ani neřezejte. Mohlo by dojít k výbuchu.
- Neponechávejte baterii v prostředí s extrémně vysokou teplotou, protože by mohlo dojít k výbuchu nebo úniku hořlavé kapaliny nebo plynu.
- Nevystavujte baterii extrémně nízkému tlaku vzduchu, protože by mohlo dojít k výbuchu nebo úniku hořlavé kapaliny nebo plynu.
- Použité baterie zlikvidujte podle pokynů.
- + označuje kladné póly zařízení, které se používá nebo generuje stejnosměrný proud, a - označuje záporný pól (póly) zařízení, které se používá nebo generuje stejnosměrný proud.
- Na zařízení se nesmí pokládat zdroje otevřeného ohně jako například hořící svíčky.
- Pokud se sériový port zařízení používá pouze pro ladění, je vyhrazen pouze pro odborníky nebo technickou podporu pro údržbu zařízení.



- Je-li na zařízení štítek  nebo , věnujte pozornost následujícím upozorněním:  
UPOZORNĚNÍ: Horké díly! Nedotýkejte se. Při manipulaci s díly si můžete popálit prsty. Než budete s díly manipulovat, vyčkejte po vypnutí zařízení půl hodiny.
- Toto zařízení není vhodné pro použití v místech, na kterých se mohou vyskytovat děti.

- Pokud je nutná montáž zařízení:
  1. Nainstalujte zařízení podle pokynů ve stručné příručce.
  2. Toto zařízení je třeba v souladu s montážními pokyny bezpečně připevnit k montážnímu povrchu, aby nedošlo ke zranění.
- Zařízení nikdy neumísťujte na nestabilní místo. Zařízení může spadnout a způsobit vážné zranění nebo smrt.
- Pokud zařízení podporuje montáž na stěnu nebo strop, musí být montážní povrch schopen odolat dodatečné síle rovné trojnásobku hmotnosti zařízení, avšak nejméně 50 N. Zařízení a související montážní prostředky musejí zůstat během montáže zabezpečeny. Po montáži se zařízení včetně přidružené montážní desky nesmí poškodit.
- UPOZORNĚNÍ: Pokud je držák určen pro konkrétní model zařízení naší společnosti, používejte ho pouze s odpovídajícím zařízením. Při použití s jiným zařízením může být instalace nestabilní a může dojít ke zranění.
- UPOZORNĚNÍ: Pokud je zařízení nutné instalovat s určitým držákem naší společnosti, použijte pouze odpovídající držák. Při použití jiného vybavení (vozíků, stojanů nebo nosičů) může být instalace nestabilní a může dojít ke zranění. Podrobnosti o modelu držáku naleznete v katalogovém listu zařízení.
- Pokud je nutné, abyste zařízení zapojili sami, k napájení vyberte odpovídající kabel podle elektrických parametrů na štítku zařízení. Odizolujte kabel v odpovídajícím místě pomocí standardních odizolovacích kleští. Délka odizolovaného kabelu musí být dostatečná a vodiče nesmí být vystaveny, aby se zabránilo vážným následkům.
- Před připojením, instalací a demontáží zařízení se ujistěte, že bylo napájení odpojeno.
- Pokud ze zařízení vychází kouř, zápach nebo hluk, zařízení okamžitě vypněte, odpojte napájecí kabel a obraťte se na servisní středisko.

**Dansk**

### Lovgivningsmæssig overensstemmelse og sikkerhedsoplysninger

Læs alle oplysninger og instrukser i dette dokument omhyggeligt, inden du tager enheden i brug, og gem dokumentet som reference.

Besøg vores websted på <https://www.hikvision.com> for yderligere oplysninger og instrukser vedr. enheden. Du kan også læse evt. andre dokumenter, der leveres med enheden, eller scanne en evt. QR-kode på emballagen for yderligere oplysninger.

#### Ansvarsfraskrivelse

VEJLEDNINGEN OG DET HERI BESKREVERNE PRODUKT, INKL. HARDWARE, SOFTWARE OG FIRMWARE, LEVERES I STØRST MULIGT OMFANG, DER ER TILLADT VED LOV, "SOM DET ER OG FOREFINDES" OG "MED ALLE DEFEKTER OG FEJL". HIKVISION UDSTEDER INGEN GARANTIER, UDTRYKKELEGE ELLER UNDERFORSTÅEDE, INKL. UDEN BEGRÆNSNING, VEDRØRENDE SALGBARHED, TILFREDSSTILLENDE KVALITET ELLER EGNETHED TIL ET BESTEMT FORMÅL. DIN BRUG AF PRODUKTET SKER PÅ DIN EGEN RISIKO. UNDER INGEN OMSTÆNDIGHEDER ER HIKVISION ANSVARLIG OVER FOR DIG FOR SÆRLIGE SKADER, HÆNDELIGE SKADER, FØLGESKADER ELLER INDIREKTE SKADER, INKL. BL.A., SKADER SOM FØLGE AF DRIFTSTAB, DRIFTSFORSTYRELSE ELLER TAB AF DATA, BESKADIGELSE AF SYSTEMER ELLER TAB AF DOKUMENTATION, UANSET OM DET ER BASERET PÅ

KONTRAKTBRUD, SKADEVOLDENDE HANDLINGER (HERUNDER UAGTSOMHED), PRODUKTANSVAR ELLER PÅ ANDEN MÅDE I FORBINDELSE MED BRUGEN AF PRODUKTET, SELVOM HIKVISION ER BLEVET UNDERRETTET OM MULIGHEDEN FOR SÅDANNE SKADER.

DU ANERKENDER, AT INTERNETTET INDEHOLDER INDBYGGEDE SIKKERHEDSRISICI. HIKVISION PÅTAGER SIG INTET ANSVAR FOR UNORMAL DRIFT, LÆKAGE AF PERSONLIGE OPLYSNINGER ELLER ANDRE SKADER SOM FØLGE AF CYBERANGREB, HACKERANGREB, VIRUSANGREB ELLER ANDRE INTERNETSIKKERHEDSRISICI. HIKVISION VIL DOG YDE EVENTUEL NØDVENDIG OG RETTIDIG TEKNISK BISTAND.

DU ERKLÆRER DIG INDFORSTÅET MED AT BRUGE PRODUKTET I OVERENSSTEMMELSE MED ALLE GÆLDENDE LOVE, OG DU ER ENEANSVARLIG FOR AT SIKRE, AT DIN BRUG OVERHOLDER AL GÆLDENDE LOVGIVNING. DU ER ISÆR ANSVARLIG FOR AT BRUGE PRODUKTET PÅ EN MÅDE, DER IKKE KRÆNKER TREDJEPARTERS RETTIGHEDER, HERUNDER, UDEN BEGRÆNSNINGER, RETTIGHEDER VEDRØRENDE OFFENTLIG OMTALE, INTELLEKTUELLE EJENDOMSRETTIGHEDER ELLER RETTIGHEDER VEDRØRENDE DATABESKYTTELSE OG ANDRE RETTIGHEDER VEDRØRENDE PERSONLIGE OPLYSNINGER. DU MÅ IKKE BRUGE PRODUKTET TIL FORBUDTE SLUTANVENDELSER, HERUNDER UDVIKLING ELLER

FREMSTILLING AF MASSEØDELÆGGELSESVÅBEN, UDVIKLING ELLER PRODUKTION AF KEMISKE ELLER BIOLOGISKE VÅBEN, AKTIVITETER I DEN KONTEKST, DER ER KNYTTET TIL ATOMBOMBER ELLER USIKKERT REAKTORBRÆNDSEL, ELLER SOM STØTTE TIL OVERTRÆDELSE AF MENNESKERETTIGHEDER. I TILFÆLDE AF UOVERENSSTEMMELSE MELLEM VEJLEDNINGEN OG GÆLDENDE LOVGIVNING GÆLDER SIDSTNÆVNTE.

**Disse bestemmelser gælder kun for produkter, der er forsynet med det relevante mærke eller oplysninger.**

### Erklæring om overensstemmelse med EU



Produktet og eventuelt medfølgende tilbehør er mærket "CE" og opfylder derfor gældende harmoniserede europæiske standarder anført i

EU-direktiv 2014/30/EU (EMCD), EU-direktiv 2014/35/EU (LVD) og EU-direktiv 2011/65/EU (RoHS).

Hermed erklærer Hangzhou Hikvision Digital Technology Co., Ltd., at enheden (se mærkaten) er i overensstemmelse med EU-direktiv 2014/53/EU.

EU-overensstemmelseserklæringens fulde tekst kan findes på følgende internetadresse:

<https://www.hikvision.com/en/support/compliance/declaration-of-conformity>.

Frekvensbånd og strøm (for CE)

De nominelle grænser for frekvensbånd og sendeeffekt (udstrålet og/eller ledt) for dette radioudstyr er som følger:

Udstyrsmodel	Frekvensbånd og strøm
DS-2XS*W*	Wi-fi 2,4 GHz (2,4-2,4834 GHz): 20 dBm

For enheder uden medfølgende strømadapter skal du bruge en strømadapter fra en kvalificeret producent. Se de nærmere krav til strømforsyning i produktspecifikationerne.

For enheder uden et medfølgende batteri skal du bruge batterier fra en kvalificeret producent. Se de nærmere krav til batterier i produktspecifikationen.



EU-direktiv 2012/19/EU (WEEE-direktivet): Produkter, der er mærket med dette symbol, kan ikke bortskaffes som almindeligt husholdningsaffald i EU. Med henblik på korrekt genbrug skal du aflevere produktet til din

lokale leverandør ved køb af tilsvarende nyt udstyr eller aflevere det på et dertil indrettet indleveringssted. For yderligere oplysninger se: [www.recyclethis.info](http://www.recyclethis.info).



Direktiv 2006/66/EF som ændret ved 2013/56/EU (batteridirektivet): Dette produkt indeholder et batteri, som ikke kan bortskaffes sammen med almindeligt husholdningsaffald i EU. Find specifikke oplysninger om

batteriet i produktdokumentationen. Batteriet er mærket med dette symbol, som kan indeholde bogstaver, der indikerer indhold af kadmium (Cd), bly (Pb) eller kviksølv (Hg). Med henblik på korrekt genbrug skal du aflevere batteriet til din leverandør eller til et dertil indrettet indleveringssted. For yderligere oplysninger se: [www.recyclethis.info](http://www.recyclethis.info).

### Sikkerhedsanvisninger

Læs alle sikkerhedsanvisninger omhyggeligt inden ibrugtagning.

- Når du anvender produktet, skal du strengt overholde landets og områdets sikkerhedsbestemmelser for elnettilslutning.
- Installér en spændingsdæmper ved enhedens indgangsåbning under særlige forhold som f.eks. bjergtop, jerntårn og skov.

- Hvad angår enheder, der tændes og slukkes kun med strømstik og stikkontakt, skal stikkontakten installeres i nærheden af enheden og være nemt tilgængelig.
- Du må ikke røre ved de nøgne komponenter (f.eks. metalkontakterne på indtagene), og du skal vente i mindst 5 minutter, da der stadig kan være elektricitet, efter at enheden er slukket.
- Slug ikke batteriet. Fare for kemisk ætsning!
- Produktet indeholder et mønt-/knapcellebatteri. Et mønt-/knapcellebatteri, der sluges, kan medføre alvorlige indre forbrændinger på bare 2 timer og kan medføre døden.
- Hold nye og brugte batterier væk fra børn.
- Hvis batterirummet ikke lukker forsvarligt, skal du stoppe med at bruge produktet og holde det væk fra børn.
- Hvis du tror, at en person har slugt et batteri eller placeret det i en del af kroppen, skal du øjeblikkeligt søge lægehjælp.
- **FORSIGTIG:** Der er eksplosionsfare, hvis batteriet udskiftes med en forkert type.
- Udskiftning af batteriet med et batteri af forkert type kan sætte en sikkerhedsforanstaltning ud af kraft (gælder fx for visse litium-batterityper).
- Bortskaf ikke batteriet i åben ild eller en varm ovn. Knus ikke, og skær ikke i batteriet, da dette kan forårsage en eksplosion.
- Efterlad IKKE batteriet i omgivelser med ekstremt høje temperaturer, da det kan medføre en eksplosion eller lækage af brandfarlig væske eller luftart.
- Udsæt ikke batteriet for omgivelser med ekstremt lavt lufttryk, da det kan medføre en eksplosion eller lækage af brandfarlig væske eller luftart.
- Bortskaf brugte batterier i henhold til anvisningerne.
- + angiver de positive terminaler på enheden, der anvendes med eller frembringer jævnstrøm. - angiver de negative terminaler på enheden, der anvendes med eller frembringer jævnstrøm.
- Placér ikke kilder med åben ild, såsom tændte stearinlys, oven på enheden.
- Hvis den serielle port på enheden kun bruges til fejlfinding, forbeholdes den kun fagfolk eller teknisk support til vedligeholdelse af enheden.
- Vær opmærksom på følgende forholdsregler for enheder med



mærkat  eller



**FORSIGTIG:** Varme dele! Må ikke berøres. Du kan brænde fingrene ved håndtering af delene. Vent 30 minutter, efter at udstyret er slukket, før delene håndteres.

- Udstyret er ikke egnet til brug på steder, hvor det er sandsynligt, at børn er til stede.
- Hvis der er behov for installation af enheden:
  1. Installér enheden i overensstemmelse med anvisningerne i startvejledningen.
  2. For at undgå personskade skal enheden fastgøres forsvarligt til installationsoverfladen i overensstemmelse med installationsvejledningen.
- Enheden må aldrig anbringes på et ustabilt underlag. Enheden kan vælte og forårsage alvorlig personskade eller død.
- Hvis enheden kan monteres på en væg eller loftet, skal monteringsoverfladen kunne modstå den yderligere kraft svarende til tre gange enhedens vægt men ikke mindre end 50 N. Enheden og dens tilhørende monteringsmidler skal

forblive sikre under installationen. Enheden, herunder en eventuel tilhørende monteringsplade, må ikke beskadiges efter installationen.

- **FORSIGTIG:** Hvis beslaget er udviklet til en bestemt enhedsmodel fra vores virksomhed, må du kun bruge beslaget sammen med den tilhørende enhed. Brugen sammen med andre enheder kan medføre ustabilitet og forårsage personskade.
- **FORSIGTIG:** Hvis det er nødvendigt at installere enheden med et bestemt beslag fra vores virksomhed, må du kun bruge det tilhørende beslag. Brug af andre (f.eks. arbejdsvoerne, stativer og støtter) kan medføre ustabilitet og forårsage personskade. Find nærmere oplysninger om beslagsmodellen i enhedens dataark.

- Hvis du selv skal kabelføre enheden, skal du vælge den tilhørende ledning med henblik på at strømforsyne i henhold til de elektriske parametre, der er markeret på enheden. Afisolér ledningen med en standardledningsstripper i den tilhørende position. For at undgå alvorlige konsekvenser skal længden af den afisolerede ledning være passende, og lederne må ikke være nøgne.
- Kontrollér, at strømmen er afbrudt, før du trækker ledninger til, installerer eller adskiller enheden.
- Hvis enheden afgiver røg, lugt eller støj, skal du straks slukke for strømmen og trække strømkablet ud. Kontakt derefter servicecentret.

**Magyar**

### Jogsabályi megfelelés és biztonsági információk

A készülék használata előtt figyelmesen olvassa el a jelen dokumentumban található összes információt és utasítást, és őrizze meg őket, mert később is szüksége lehet rájuk. A készülékkel kapcsolatos további információkért és utasításokért kérjük, látogasson el weboldalunkra a <https://www.hikvision.com> címen. További információkat kaphat a készülékhez mellékelte egyéb dokumentumokból is (ha vannak ilyenek), vagy ha beolvassa a csomagoláson található QR-kódot (ha van ilyen).

### Felelősségkizárás

EZT A KÉZIKÖNYVET, VALAMINT A BENNE SZEREPLŐ TERMÉKET ANNAK HARDVER-, SZOFTVER-ÖSSZETEVŐIVEL ÉS FIRMWARE-ÉVEL EGYÜTT „EREDETI FORMÁBAN” BIZTOSÍJTUK, „BELEÉRTVE AZOK ÖSSZES ESETLEGES HIBÁJÁT”. A HIKVISION NEM VÁLLAL SEM KIFEJEZETT, SEM TÖRVÉNY ÁLTAL VÉLELMEZETT JÓTÁLLÁST, TÖBBEK KÖZÖTT – DE NEM KORLÁTOZVA – A TERMÉK ÉRTÉKESÍTHETŐSÉGÉRE, MEGFELELŐ MINŐSÉGÉRE, VALAMINT ADOTT CÉLRA VALÓ ALKALMASSÁGÁRA. A TERMÉKET KIZÁRÓLAG SAJÁT FELELŐSÉGÉRE HASZNÁLHATJA. A HIKVISION SEMMILYEN ESETBEN SEM VÁLLAL FELELŐSÉGET ÖN FELÉ SEMMILYEN KÜLÖNLEGES, KÖVETKEZMÉNYES, JÁRULÉKOS VAGY KÖZVETETT KÁRÉRT, BELEÉRTVE TÖBBEK KÖZÖTT A TERMÉK HASZNÁLATÁVAL ÖSSZEFÜGGÉSBEN AZ ÜZLETI HASZON ELVESZTÉSÉBŐL, AZ ÜZLETMENET MEGSZAKADÁSÁBÓL, VALAMINT AZ ADATOK VAGY DOKUMENTUMOK ELVESZTÉSÉBŐL EREDŐ KÁROKAT, TÖRTÉNJEN EZ SZERZŐDÉSSZEGÉS VAGY KÁROKOZÁS (BELEÉRTVE A GONDATLANSÁGOT) EREDMÉNYEKÉNT, MÉG AKKOR SEM, HA A HIKVISION VÁLLALATOT TÁJÉKOZTATTÁK AZ ILYEN KÁROK BEKÖVETKEZÉSÉNEK LEHETŐSÉGÉRŐL.


ÖN TUDOMÁSUL VESZI, HOGY AZ INTERNET TERMÉSZETÉBŐL FAKADÓAN REJT KOCKÁZATOKAT, ÉS A HIKVISION SEMMILYEN FELELŐSÉGET NEM VÁLLAL A RENDELLENES MŰKÖDÉSÉRT, A SZEMÉLYES ADATOK KISZIVÁRGÁSÁÉRT VAGY MÁS OLYAN KÁROKÉRT, AMELYEKET KIBERTÁMADÁSOK, HACKERTÁMADÁSOK, VÍRUSFERTŐZÉSEK VAGY MÁS INTERNETES BIZTONSÁGI VESZÉLYEK OKOZTAK; A HIKVISION AZONBAN KÉRÉSRE IDŐBEN MŰSZAKI TÁMOGATÁST NYÚJT.

ÖN ELFOGADJA, HOGY EZT A TERMÉKET KIZÁRÓLAG A VONATKOZÓ TÖRVÉNYI ELŐÍRÁSOK BETARTÁSÁVAL HASZNÁLJA, ÉS HOGY A VONATKOZÓ TÖRVÉNYEKNEK MEGFELELŐ HASZNÁLAT KIZÁRÓLAG AZ ÖN FELELŐSÉGE. KÜLÖNÖSKÉPPEN AZ ÖN FELELŐSÉGE, HOGY A TERMÉK HASZNÁLATA SORÁN NE SÉRTSE HARMADIK FÉL JOGAI, BELEÉRTVE, DE NEM KORLÁTOZVA A

NYILVÁNOSSÁGRA, SZELLEMI TULAJDONRA, ADATOK VÉDELMEÉRE ÉS EGYÉB SZEMÉLYES ADATOKRA VONATKOZÓ JOGOKAT. A TERMÉKET NEM HASZNÁLHATJA TILTOTT CÉLRA, BELEÉRTVE A TÖMEGPUSZTÍTÓ FEGYVEREK FEJLESZTÉSÉT VAGY GYÁRTÁSÁT, A VEGYI VAGY BIOLÓGIAI FEGYVEREK FEJLESZTÉSÉT VAGY GYÁRTÁSÁT, VALAMINT BÁRMILYEN, ROBBANÁSVESZÉLYES VAGY NEM BIZTONSÁGOS NUKLEÁRIS HASADÓANYAG-CIKLUSSAL KAPCSOLATOS TEVÉKENYSÉGET, ILLETVE EMBERI JOGI VISSZAÉLÉSEKET TÁMOGATÓ MÓDON TÖRTÉNŐ FELHASZNÁLÁST. HA A JELEN KÉZIKÖNYV ÉS A HATÁLYOS TÖRVÉNY KÖZÖTT ELLENTMONDÁS TAPASZTALHATÓ, AKKOR AZ UTÓBBI A MÉRVADÓ.

**Ezek a cikkelyek kizárólag a megfelelő jelt vagy információt viselő termékekre vonatkoznak.**

### EU megfelelési nyilatkozat

 Ez a termék és a mellékelte tartozékai (ha vannak) a „CE” jelzést viselik, így megfelelnek a 2014/30/EU elektromágneses összeférhetőségről szóló (EMCD) irányelvben, a 2014/35/EU kisfeszültségű berendezésekről szóló (LVD) irányelvben és a 2011/65/EU (RoHS) irányelvben felsorolt alkalmazandó harmonizált európai szabványok követelményeinek. A Hangzhou Hikvision Digital Technology Co., Ltd. ezennel kijelenti, hogy ez a készülék (lásd a címkét) megfelel a 2014/53/EU irányelvnek.

Az EU megfelelési nyilatkozat teljes szövege a következő internetcímen érhető el:

<https://www.hikvision.com/en/support/compliance/declaration-of-conformity>.

Frekvenciasávok és teljesítmény (CE-jelöléshez)

Az alábbi rádióberendezésre érvényes frekvenciasávok és a leadott teljesítmény (sugárzott és/vagy vezetett) névleges határértékei a következők:

Berendezés típusa	Frekvenciasávok és teljesítmény
DS-2XS*W*	Wi-Fi 2,4 GHz (2,4 GHz–2,4834 GHz): 20 dBm

Ha az eszkozhöz nincs mellékelve tápadapter, használjon minősített gyártó által készített tápadaptert. A tápellátással szembeni részletes követelmények a termék műszaki adataiban vannak feltüntetve.



Ha az eszközhöz nincs mellékelve akkumulátor vagy elem, használjon minősített gyártó által biztosított akkumulátort vagy elemet. Az akkumulátorral szembeni részletes követelmények a termék műszaki adataiban vannak feltüntetve.



2012/19/EU irányelv (WEEE irányelv): Az ezzel jelzéssel ellátott termékeket nem lehet szelektálatlan kommunális hulladékként kiselejtezni az Európai Unióban. A megfelelő újrahasznosítás érdekében vigye vissza ezt a terméket helyi forgalmazóhoz, amikor új, egyenértékű berendezést vásárol, vagy adja le a kijelölt gyűjtőhelyeken.

További információért keresse fel az alábbi weboldalt:

[www.recyclethis.info](http://www.recyclethis.info).



2006/66/EK irányelv és annak 2013/56/EU kiegészítése (akkumulátor-irányelv): Ez a termék olyan akkumulátort tartalmaz, amelyet az Európai Unióban tilos szelektálatlan kommunális hulladékként

ártalmatlanítani. A termékdokumentációban további információkat talál az akkumulátorról. Az akkumulátor ezzel a jelzéssel van ellátva. A jelzésen megtalálhatók lehetnek a kadmiumot (Cd), ólmot (Pb) vagy higanyt (Hg) jelző betűjelek. A megfelelő újrahasznosítás érdekében vigye vissza az akkumulátort a forgalmazóhoz, vagy juttassa el egy kijelölt gyűjtőhelyre. További információért keresse fel az alábbi weboldalt:

[www.recyclethis.info](http://www.recyclethis.info).


### Biztonsági információk

Kérjük, használat előtt figyelmesen olvassa el az összes biztonsági információt.

- A termék használata során az ország és a régió elektromos biztonsági előírásait szigorúan be kell tartani.
- Speciális elhelyezés (pl. hegytető, vastorony, erdő) esetén az eszköz bemeneti nyílásánál alkalmazzon túláramvédőt.
- A csak hálózati csatlakozóval működő készülék esetében a dugaljat a készülék közelében és könnyen hozzáférhetően kell elhelyezni.
- Ne érintse meg a csupasz alkatrészeket (például a bemenetek fémérintkezőit), és a kikapcsolás után várjon legalább 5 percet, hiszen fennáll a veszélye, hogy áram marad a készülékben.
- Ne nyelje le az akkumulátort. Kémiai égésveszély!
- Ez a termék gombelemet tartalmaz. A gombelem lenyelés esetén már 2 órán belül súlyos belső marási sérülést, vagy akár halált is okozhat.
- Az új és használt elemek gyermekektől elzárva tartandók.
- Ha az elemtartó rekesz nem záródik megfelelően, ne használja a terméket, és gyermekektől tartsa elzárva.
- Az elem lenyelésének vagy más testnyílásba helyezésének gyanúja esetén azonnal orvosi ellátást kell kérni.
- VIGYÁZAT: Az akkumulátor nem megfelelő típusúra cserélése robbanásveszélyt idézhet elő.
- Az elem nem megfelelő típusal történő helyettesítése hatástalanná tehet egy biztonsági berendezést (például bizonyos típusú lítiumos elemek esetében).
- Tilos az elemet tűzbe vagy forró sütőbe helyezni, illetve összetörni vagy szétvágni, mert ez robbanást okozhat.
- Tilos az elemet rendkívül magas környezeti hőmérsékletnek kitenni, mert ez robbanást, illetve gyúlékony folyadék vagy gáz szivárgását idézheti elő.
- Tilos az elemet rendkívül alacsony légnyomásnak kitenni, mert ez robbanást, illetve gyúlékony folyadék vagy gáz szivárgását okozhatja.

- A használt elemeket az utasításoknak megfelelően semlegesítse.
- A „+” jelzés a készülék egyenáramot használó vagy gerjesztő pozitív csatlakozóit jelöli, míg a „-” jelzés a készülék egyenáramot használó vagy gerjesztő negatív csatlakozóit.
- Tilos a készüléken nyílt lángforrást, pl. gyertyát elhelyezni.
- Ha a készülék soros portját csak hibakeresésre használják, akkor az csak a szakemberek vagy a műszaki támogatás számára van fenntartva a készülék karbantartásához.



- Ezekkel a matricákkal:  ellátott készülék esetében ügyeljen a következő óvintézkedésekre: VIGYÁZAT: Forró alkatrészek! Ne érintse meg. Az alkatrészek megérintése esetén az ujjak égési sérülésének veszélye áll fenn. Várjon fél órát a készülék kikapcsolását követően, mielőtt megérintené az ilyen részeket.
- Ez a készülék nem használható olyan helyen, ahol gyermekek lehetnek jelen.
- Amennyiben a készüléket telepíteni szükséges,
  1. Az eszközt a rövid útmutatóban leírt utasításoknak megfelelően kell telepíteni.
  2. A balesetveszély elkerülése érdekében a készüléket szilárdan a rögzítési felülethez kell erősíteni, az üzembe helyezési utasításoknak megfelelően.
- Soha ne helyezze az eszközt instabil helyre. A készülék leeshet, ami súlyos vagy akár halálos sérülést okozhat.
- Ha a készülék falra vagy mennyezetre szerelhető, bizonyosodjon meg, hogy a rögzítési felület képes megtartani a készülék súlyának háromszorosát, azaz képes ellenállni egy legkevesebb 50 Newtonnak megfelelő erőhatásnak. A telepítés során a készüléket és annak tartólemezeit rögzíteni kell. Bizonyosodjon meg, hogy a telepítés befejeztével a készülék és a rögzítőlemez nem sérült meg.
- VIGYÁZAT: Ha a konzol a vállalatunk egy speciális eszközhöz való, a konzolt kizárólag ahhoz az eszközhöz használja. Ha más eszközökkel használja, a konzol instabillá válhat, és sérülést okozhat.
- VIGYÁZAT: Ha az eszközt a vállalatunk egy speciális konzolával kell telepíteni, csak a termékhez való konzolt használja. Más tartó megoldások (pl. kocsi, állványok és hordozók) instabillá válhatnak, ami sérülést okozhat. A konzol típusának a részleteit lásd az eszköz adatlapján.
- Ha a készüléket saját kezűleg kell bekötnie, figyeljen arra, hogy a megfelelő huzalt válassza a tápellátáshoz, a készüléken feltüntetett elektromossági paramétereknek megfelelően. Csupaszítsa le a huzalt egy szabványos csupaszítófogóval a megfelelő helyen. A súlyos következmények elkerülése érdekében arra figyeljen, hogy a lecsupaszított vezeték legyen megfelelő hosszúságú, és ne maradjon szabadon lecsupaszított huzalvég.
- A készülék bekötése, telepítése vagy szétszerelése előtt győződjön meg róla, hogy a készülék le van választva az elektromosságról.
- Ha a készülék füstöt, furcsa szagot vagy zajt bocsát ki, azonnal kapcsolja ki, húzza ki a tápkábelt, majd forduljon a szervizközpontoz.

## Informacje dotyczące zgodności z przepisami i bezpieczeństwa

Przed skorzystaniem z urządzenia należy uważnie przeczytać ten podręcznik i zachować go jako źródło informacji referencyjnych. Aby uzyskać więcej informacji dotyczących urządzenia, skorzystaj z naszej witryny internetowej <https://www.hikvision.com>.

Aby uzyskać więcej informacji, można też skorzystać z innych dokumentów dostarczonych razem z urządzeniem lub zeskanować kod QR na opakowaniu.

### Zastrzeżenia prawne

W PEŁNYM ZAKRESIE DOZWOLONYM PRZEZ OBOWIĄZUJĄCE PRAWO TEN PODRĘCZNIK, OPISANY PRODUKT I ZWIĄZANE Z NIM WYPOSAŻENIE ORAZ OPROGRAMOWANIE APLIKACYJNE I UKŁADOWE SĄ UDOSTĘPNIANE BEZ GWARANCJI.

FIRMA HIKVISION NIE UDZIELA ŻADNYCH WYRAŹNYCH ANI DOROZUMIANYCH GWARANCJI, TAKICH JAK GWARANCJE DOTYCZĄCE PRZYDATNOŚCI HANDLOWEJ, JAKOŚCI LUB PRZYDATNOŚCI DO OKREŚLONEGO CELU. UŻYTKOWNIK KORZYSTA Z PRODUKTU NA WŁASNE RYZYKO.

NIEZALEŻNIE OD OKOLICZNOŚCI FIRMA HIKVISION NIE PONOSI ODPOWIEDZIALNOŚCI ZA STRATY SPECJALNE, NASTĘPCZE, UBOCZNE LUB POŚREDNIE, TAKIE JAK STRATA OCZEKIWANYCH ZYSKÓW Z DZIAŁALNOŚCI BIZNESOWEJ, PRZERWY W DZIAŁALNOŚCI BIZNESOWEJ, USZKODZENIE SYSTEMÓW ALBO STRATA DANYCH LUB DOKUMENTACJI, WYNIKAJĄCE Z NARUSZENIA UMOWY, PRZEWINIENIA (ŁĄCZNIE Z ZANIEDBANIEM), ODPOWIEDZIALNOŚCI ZA PRODUKT LUB INNYCH OKOLICZNOŚCI, ZWIĄZANE Z UŻYCIEM TEGO PRODUKTU, NAWET JEŻELI FIRMA HIKVISION ZOSTAŁA POINFORMOWANA O MOŻLIWOŚCI WYSTĄPIENIA TAKICH SZKÓD LUB STRAT.

UŻYTKOWNIK PRZYJMUJE DO WIADOMOŚCI, ŻE KORZYSTANIE Z INTERNETU JEST ZWIĄZANE Z ZAGROŻENIAMI DLA BEZPIECZEŃSTWA, A FIRMA HIKVISION NIE PONOSI ODPOWIEDZIALNOŚCI ZA NIEPRAWIDŁOWE FUNKCJONOWANIE, NIEAUTORYZOWANE UJAWNIEŃ POUFNYCH INFORMACJI LUB INNE SZKODY WYNIKAJĄCE Z ATAKU CYBERNETYCZNEGO, ATAKU HAKERA, DZIAŁANIA WIRUSÓW LUB INNYCH ZAGROŻEŃ DLA BEZPIECZEŃSTWA W INTERNECIE. FIRMA HIKVISION ZAPEWNI JEDNAK TERMINOWĄ POMOC TECHNICZNĄ, JEŻELI BĘDZIE TO WYMAGANE.

UŻYTKOWNIK ZOBOWIĄDUJE SIĘ DO KORZYSTANIA Z PRODUKTU ZGODNIE Z PRZEPISAMI I PRZYJMUJE DO WIADOMOŚCI, ŻE JEST ZOBOWIĄZANY DO ZAPEWNIENIA ZGODNOŚCI UŻYCIA PRODUKTU Z PRZEPISAMI. W SZCZEGÓLNOŚCI UŻYTKOWNIK JEST ZOBOWIĄZANY DO KORZYSTANIA Z PRODUKTU W SPOSÓB, KTÓRY NIE NARUSZA PRAW STRON TRZECICH, DOTYCZĄCYCH NA PRZYKŁAD WIZERUNKU KOMERCYJNEGO, WŁASNOŚCI INTELEKTUALNEJ LUB OCHRONY DANYCH I PRYWATNOŚCI. UŻYTKOWNIK NIE BĘDZIE UŻYWAĆ PRODUKTU DO CELÓW ZABRONIONYCH, TAKICH JAK OPRACOWANIE LUB PRODUKCJA BRONI MASOWEGO RAŻENIA ALBO BRONI CHEMICZNEJ LUB BIOLOGICZNEJ ORAZ DZIAŁANIA ZWIĄZANE Z WYBUCHOWYMI MATERIAŁAMI NUKLEARNYMI, NIEBEZPIECZNYM CYKLEM PALIWOWYM LUB ŁAMANIEM PRAW CZŁOWIEKA. W PRZYPADKU NIEZGODNOŚCI NINIEJSZEGO PODRĘCZNIKA Z OBOWIĄZUJĄCYM PRAWEM, WYŻSZY PRIORYTET BĘDZIE MIAŁO OBOWIĄZUJĄCE PRAWO.

## Te klauzule dotyczą tylko produktów z odpowiednimi oznaczeniami lub etykietami.

### Deklaracja zgodności z dyrektywami UE



Produkt i ewentualnie dostarczone razem z nim akcesoria oznaczone symbolem „CE” potwierdzającym zgodność z odpowiednimi

ujednoczonymi normami europejskimi, uwzględnionymi w dyrektywie 2014/30/UE dotyczącej kompatybilności elektromagnetycznej (EMCD), dyrektywie niskonapięciowej (LVD) 2014/35/UE oraz dyrektywie 2011/65/UE w sprawie ograniczenia stosowania niektórych niebezpiecznych substancji w sprzęcie elektrycznym (RoHS).

Firma Hangzhou Hikvision Digital Technology Co., Ltd. niniejszym deklaruje, że to urządzenie o nazwie podanej na etykiecie jest zgodne z dyrektywą 2014/53/UE.

Cały tekst deklaracji zgodności z dyrektywami UE jest dostępny pod następującym adresem internetowym:

<https://www.hikvision.com/en/support/compliance/declaration-of-conformity>.

Pasma częstotliwości i moc (CE)

Pasma częstotliwości i dopuszczalne wartości graniczne znamionowej mocy promieniowanej (transmisja i/lub przewodzenie) tego urządzenia radiowego są następujące:

Model urządzenia	Pasma częstotliwości i moc
DS-2XS*W*	Wi-Fi 2,4 GHz (2,4–2,4834 GHz): 20 dBm

W przypadku urządzeń dostarczanych bez zasilacza należy użyć markowego zasilacza. Aby uzyskać więcej informacji dotyczących wymaganego zasilania, należy skorzystać ze specyfikacji produktu. W przypadku urządzeń dostarczanych bez baterii należy użyć markowej baterii. Aby uzyskać więcej informacji dotyczących wymaganej baterii, należy skorzystać ze specyfikacji produktu.



Dyrektywa 2012/19/UE w sprawie zużytego sprzętu elektrycznego i elektronicznego (WEEE):

Produktów oznaczonych tym symbolem nie wolno utylizować na obszarze Unii Europejskiej jako

niesegregowane odpady komunalne. Aby zapewnić prawidłowy recykling tego produktu, należy zwrócić go do lokalnego dostawcy przy zakupie równoważnego nowego urządzenia lub utylizować go w wyznaczonym punkcie selektywnej zbiórki odpadów.

Aby uzyskać więcej informacji, skorzystaj z witryny internetowej: [www.recyclethis.info](http://www.recyclethis.info).



Dyrektywa 2006/66/WE w sprawie baterii i akumulatorów i zmieniająca ją dyrektywa

2013/56/UE: Ten produkt zawiera baterię, której nie wolno utylizować na obszarze Unii Europejskiej jako

niesegregowane odpady komunalne. Szczegółowe informacje dotyczące baterii zamieszczono w dokumentacji produktu.

Bateria jest oznaczona tym symbolem, który może także zawierać litery wskazujące na zawartość kadmu (Cd), ołowiu (Pb)

lub rtęci (Hg). Aby zapewnić prawidłowy recykling baterii, należy zwrócić ją do dostawcy lub przekazać do wyznaczonego punktu

zbiórki. Aby uzyskać więcej informacji, skorzystaj z witryny internetowej: [www.recyclethis.info](http://www.recyclethis.info).


## Zalecenia dotyczące bezpieczeństwa

Przed użyciem urządzenia należy przeczytać wszystkie zalecenia dotyczące bezpieczeństwa.

- Produkt powinien być użytkowany zgodnie z rozporządzeniami dotyczącymi bezpiecznego korzystania z urządzeń elektrycznych, obowiązującymi w danym kraju lub regionie.
- Należy zapewnić tłumienie udarów elektrycznych przy otwarciu urządzenia w specjalnych warunkach, takich jak szczyt wzgórza, wieża z elementów stalowych lub las.
- W przypadku urządzenia, którego zasilanie jest włączane/wyłączane poprzez wyjęcie wtyczki przewodu zasilającego z gniazda sieci elektrycznej lub przy użyciu wyłącznika w tym gnieździe, należy zainstalować to gniazdo w łatwo dostępnym miejscu w pobliżu urządzenia.
- Nieosłoniętych elementów urządzenia (takich jak metalowe styki złączy) można dotykać nie wcześniej niż pięć minut po wyłączeniu zasilania, ponieważ należy poczekać na usunięcie ładunków elektrycznych.
- Nie wolno połykać baterii. Zagrożenie poparzeniem chemicznym!
- W tym produkcie wykorzystywana jest bateria pastylkowa. Połknięcie baterii pastylkowej może spowodować poważne oparzenie wewnętrzne już po dwóch godzinach i zgon.
- Nowe i zużyte baterie należy przechowywać w miejscu niedostępnym dla dzieci.
- Jeżeli zasobnik na baterie nie jest prawidłowo zamknięty, należy zrezygnować z użycia produktu i umieścić go w miejscu niedostępnym dla dzieci.
- Jeżeli można przypuszczać, że baterie zostały połknięte lub w inny sposób dostały się do wnętrza ciała, należy niezwłocznie skorzystać z porady/pomocy medycznej.
- PRZESTROGA: Zainstalowanie nieodpowiedniej baterii może spowodować wybuch.
- Zainstalowanie nieodpowiedniej baterii może spowodować zagrożenie (dotyczy to na przykład niektórych baterii litowych).
- Wrzucenie baterii do ognia lub rozgrzanego pieca albo zgniecenie lub przecięcie baterii może spowodować wybuch.
- Wysoka temperatura w otoczeniu może spowodować wybuch baterii albo wyciek palnej cieczy lub gazu.
- Ekstremalnie niskie ciśnienie powietrza w otoczeniu może spowodować wybuch baterii albo wyciek palnej cieczy lub gazu.
- Zużyte baterie należy utylizować zgodnie z instrukcjami.
- Symbol „+” oznacza dodatnie styki prądu stałego w urządzeniu, a symbol „-” oznacza ujemne styki prądu stałego w urządzeniu.
- Nie wolno umieszczać na urządzeniu źródeł nieosłoniętego płomienia, takich jak zapalone świece.
- Jeżeli port szeregowy urządzenia jest używany tylko do debugowania, może być używany wyłącznie przez

specjalistów lub pracowników pomocy technicznej do konserwacji urządzenia.



- W przypadku urządzenia z naklejką  lub

należy uwzględnić następujące zalecenia:

- PRZESTROGA: Gorąca powierzchnia! Nie dotykać. Dotknięcie gorących elementów może spowodować oparzenie palców. Po wyłączeniu zasilania należy odczekać pół godziny przed dotknięciem elementów urządzenia.
- Urządzenie nie powinno być używane w lokalizacjach, w których mogą przebywać dzieci.
- Jeżeli konieczna jest instalacja urządzenia,
  1. Urządzenie należy zainstalować zgodnie z instrukcjami podanymi w skróconym podręczniku użytkownika.
  2. Aby zapobiec zranieniu, należy prawidłowo przymocować urządzenie zgodnie z instrukcjami instalacyjnymi.
- Nie wolno instalować urządzenia na niestabilnym podłożu. Urządzenie może upaść i spowodować poważne zranienie lub zgon.
- Jeżeli urządzenie jest przystosowane do montażu ściennego lub sufitowego, powierzchnia montażowa powinna być przystosowana do obciążenia trzykrotnie większego niż waga urządzenia, ale nie mniejszego niż 50 N. Urządzenie i elementy montażowe powinny być zabezpieczone podczas instalacji. Podczas instalacji należy chronić urządzenie, łącznie z płytą montażową, przed uszkodzeniem.
- PRZESTROGA: Jeżeli uchwyt jest przeznaczony do konkretnego modelu urządzenia naszej firmy, należy używać tego uchwytu tylko z tym urządzeniem. Użycie z innym urządzeniem może spowodować zranienie na skutek niestabilności urządzenia.
- PRZESTROGA: Jeżeli urządzenie będzie instalowane na konkretnym uchwycie naszej firmy, należy używać tylko odpowiedniego uchwytu. Użycie innych uchwytów (takich jak wózki lub statywy) może spowodować zranienie na skutek niestabilności urządzenia. Aby uzyskać więcej informacji dotyczących modelu uchwytu, należy zapoznać się z danymi technicznymi urządzenia.
- Jeżeli konieczne jest samodzielne podłączenie urządzenia, należy użyć przewodu zasilającego zgodnego z parametrami elektrycznymi podanymi na etykiecie urządzenia. Usuń izolację przewodu na odpowiednim odcinku standardowym narzędziem. Aby zapobiec poważnym konsekwencjom, należy zapewnić odpowiednią długość odcinka przewodu bez izolacji.
- Przed podłączeniem, instalacją lub demontażem urządzenia należy odłączyć jego zasilanie.
- Jeżeli urządzenie wydziela dym lub intensywny zapach albo emituje hałas, należy niezwłocznie wyłączyć zasilanie i odłączyć przewód zasilający, a następnie skontaktować się z centrum serwisowym.

## Conformitatea cu reglementările și informații privind siguranța

Citiți cu atenție toate informațiile și instrucțiunile din acest document înainte de a utiliza dispozitivul și păstrați-l pentru referințe ulterioare.

**Română**

Pentru mai multe informații și instrucțiuni despre dispozitiv, vă rugăm să vizitați site-ul nostru web la <https://www.hikvision.com>. De asemenea, puteți consulta alte documente (dacă există) care însoțesc dispozitivul sau puteți scana codul QR (dacă există) de pe ambalaj pentru a obține mai multe informații.

## Declinarea responsabilității

ÎN MĂSURA MAXIMĂ PERMISĂ DE LEGISLAȚIA APLICABILĂ, ACEST MANUAL ȘI PRODUSUL DESCRIS, ÎMPREUNĂ CU HARDWARE-UL, SOFTWARE-UL ȘI FIRMWARE-UL SĂU, SUNT FURNIZATE „CA ATARE” ȘI „CU TOATE DEFECTELE ȘI ERORILE”. HIKVISION NU OFERĂ NICIO GARANȚIE, EXPRESĂ SAU IMPLICITĂ, INCLUSIV, DAR FĂRĂ A SE LIMITA LA, COMERCIALIZAREA, CALITATEA SATISFĂCĂTOARE SAU ADECVAREA PENTRU UN ANUMIT SCOP. UTILIZAREA PRODUSULUI DE CĂTRE DVS. ESTE PE PROPRIUL RISC. ÎN NICI UN CAZ HIKVISION NU VA FI RESPONSABILĂ FAȚĂ DE DVS. PENTRU ORICE DAUNE SPECIALE, SECUNDARE, ACCIDENTALE SAU INDIRECTE, INCLUSIV, PRINTRE ALTELE, DAUNE PPRIN PIERDEREA PROFITURILOR DIN AFACERI, ÎNTRERUPEREA ACTIVITĂȚII SAU PIERDEREA DATELOR, DETERIORAREA SISTEMELOR SAU PIERDEREA DOCUMENTAȚIEI, FIE CĂ SE BAZEAZĂ PE ÎNCĂLCAREA CONTRACTULUI, DELICT (INCLUSIV NEGLIJENȚĂ), RĂSPUNDEREA CU PRIVIRE LA PRODUS SAU ÎN ALT MOD, ÎN LEGĂTURĂ CU UTILIZAREA PRODUSULUI, CHIAR DACĂ HIKVISION A FOST INFORMATĂ CU PRIVIRE LA POSIBILITATEA UNOR ASTFEL DE DAUNE SAU PIERDERI.

RECUNOAȘTEȚI CĂ NATURA INTERNETULUI IMPLICĂ RISCURI DE SECURITATE INERENTE, IAR HIKVISION NU ÎȘI ASUMĂ NICIO RESPONSABILITATE PENTRU FUNCȚIONAREA ANORMALĂ, SCURGEREA DE INFORMAȚII CONFIDENȚIALE SAU ALTE DAUNE REZULTATE DIN ATACURI CIBERNETICE, ATACURI ALE HACKERILOR, INFECTĂRI CU VIRUȘI SAU ALTE RISCURI DE SECURITATE PE INTERNET; CU TOATE ACESTE, HIKVISION VA OFERI ASISTENȚĂ TEHNICĂ ÎN TIMP UTIL DACĂ ESTE NECESAR.

SUNTEȚI DE ACORD SĂ UTILIZAȚI ACEST PRODUS ÎN CONFORMITATE CU TOATE LEGILE APLICABILE ȘI VĂ REVINE ÎN ÎNTREGIME RESPONSABILITATEA DE A VĂ ASIGURA CĂ UTILIZAREA DVS. ESTE ÎN CONFORMITATE CU LEGISLAȚIA APLICABILĂ. ÎN SPECIAL, SUNTEȚI RESPONSABIL(Ă) PENTRU UTILIZAREA ACESTUI PRODUS ÎNTR-UN MOD CARE NU ÎNCALCĂ DREPTURILE TERȚILOR, INCLUSIV, DAR FĂRĂ A SE LIMITA LA DREPTURILE DE PUBLICITATE, DREPTURILE DE PROPRIETATE INTELECTUALĂ SAU PROTECȚIA DATELOR ȘI ALTE DREPTURI DE CONFIDENȚIALITATE. NU VEȚI UTILIZA ACEST PRODUS PENTRU UTILIZĂRI FINALE INTERZISE, INCLUSIV PENTRU DEZVOLTAREA SAU PRODUCEREA DE ARME DE DISTRUGERE ÎN MASĂ, DEZVOLTAREA SAU PRODUCEREA DE ARME CHIMICE SAU BIOLOGICE, DESFĂȘURAREA ORICĂROR ACTIVITĂȚI ÎN CONTEXTUL ORICĂRUI EXPLOZIBIL NUCLEAR SAU AL UNUI CICLU DE PRODUCȚIE A UNUI COMBUSTIBIL NUCLEAR CARE NU PREZINTĂ SIGURANȚĂ SAU ÎN SPRIJINUL ÎNCĂLCĂRII DREPTURILOR OMULUI.


ÎN CAZUL UNOR CONFLICTE ÎNTRE ACEST MANUAL ȘI LEGEA APLICABILĂ, ACEASTA DIN URMĂ PREVALEAZĂ.

---

**Aceste clauze se aplică numai produselor care poartă marca sau informațiile corespunzătoare.**

---

## Declarație de conformitate UE

 Acest produs și, dacă este cazul, și accesoriile furnizate sunt prevăzute cu marcaul „CE” și, drept urmare, sunt conforme cu standardele europene armonizate aplicabile enumerate în Directiva 2014/30/UE (EMCD), Directiva 2014/35/UE (LVD), Directiva 2011/65/UE (RoHS). Prin prezenta, Hangzhou Hikvision Digital Technology Co., Ltd. declară că acest dispozitiv (a se consulta eticheta) este conform cu Directiva 2014/53/UE.

Textul integral al declarației de conformitate UE este disponibil la următoarea adresă de internet:

<https://www.hikvision.com/en/support/compliance/declaration-of-conformity>.

Benzi de frecvență și putere (pentru CE)

Limitele nominale pentru benzile de frecvență și puterea de transmisie (radiată și/sau condusă) aplicabile următoarelor echipamente radio sunt următoarele:

Modelul echipamentului	Benzi de frecvență și putere
DS-2XS*W*	Wi-Fi 2,4 GHz (2,4 GHz – 2,4834 GHz): 20 dBm

Dacă dispozitivul a fost furnizat fără un adaptor de alimentare, folosiți adaptorul de alimentare furnizat de un producător calificat. Consultați specificațiile produsului pentru cerințele detaliate de alimentare.

Dacă dispozitivul a fost furnizat fără o baterie, folosiți bateria furnizată de un producător calificat. Consultați specificațiile produsului pentru cerințele detaliate privind bateria.



Directiva 2012/19/UE (directiva DEEE): Produsele marcate cu acest simbol nu pot fi eliminate ca deșeuri municipale nesortate în Uniunea Europeană. Pentru o reciclare adecvată, returnați acest produs furnizorului

local la achiziționarea unui echipament nou echivalent sau predați-l într-unul dintre punctele de colectare desemnate. Pentru mai multe informații, consultați: [www.recyclethis.info](http://www.recyclethis.info).



Directiva 2006/66/CE și directiva de modificare a acesteia 2013/56/UE (directiva privind bateriile): Acest produs conține o baterie care nu poate fi eliminată ca deșeu municipal nesortat în Uniunea Europeană.

Consultați documentația produsului pentru informații specifice despre baterie. Bateria este marcată cu acest simbol, care poate include litere pentru a indica cadmiul (Cd), plumbul (Pb) sau mercurul (Hg). Pentru o reciclare corectă, returnați bateria furnizorului dvs. sau la un punct de colectare desemnat. Pentru mai multe informații, consultați: [www.recyclethis.info](http://www.recyclethis.info).


## Informații privind siguranța

Vă rugăm să citiți cu atenție toate informațiile de siguranță înainte de utilizare.

- La utilizarea produsului, trebuie să respectați cu strictețe reglementările de siguranță electrică naționale și regionale.
- Plasați un limitator de suprasarcină în ofiriul de intrare al dispozitivului în condiții speciale, de exemplu în vârful muntelui, într-un turn de fier și în pădure.
- Pentru dispozitivul pornit și oprit numai prin ștecăr și priză de rețea, priza trebuie să fie instalată în apropierea dispozitivului și să fie ușor accesibilă.
- Nu atingeți componentele neizolate (precum contactele metalice ale bornelor de intrare) și așteptați cel puțin 5 minute, întrucât poate exista electricitate și după oprirea dispozitivului.
- Nu ingerați bateria. Pericol de arsuri chimice!
- Acest produs conține o baterie cu celulele primare tip buton sau monedă. Dacă bateria cu monedă/buton este înghițită, aceasta poate provoca arsuri interne grave în doar 2 ore și poate duce la deces.
- Nu lăsați bateriile noi și pe cele folosite la îndemâna copiilor.
- În cazul în care compartimentul pentru baterii nu se închide bine, nu mai utilizați produsul și nu îl lăsați la îndemâna copiilor.

- Dacă bănuieți că bateriile au fost ingerate sau introduse în interiorul oricărei părți a corpului, solicitați imediat asistență medicală.
- ATENȚIE: Risc de explozie dacă bateria este înlocuită cu una de tip incorect.
- Înlocuirea necorespunzătoare a bateriei cu un tip incorect poate anula o protecție (de exemplu, în cazul unor tipuri de baterii cu litiu).
- Nu aruncați bateria în foc sau într-un cuptor încins și nici nu striviți sau tăiați mecanic bateria, deoarece aceasta poate provoca o explozie.
- Nu lăsați bateria într-un mediu înconjurător cu temperaturi extrem de ridicate, ceea ce poate duce la o explozie sau la scurgerea de lichid sau gaz inflamabil.
- Nu supuneți bateria la o presiune extrem de scăzută a aerului, care poate duce la o explozie sau la scurgerea de lichid sau gaz inflamabil.
- Aruncați bateriile uzate în conformitate cu instrucțiunile.
- + semnalează bornele pozitive ale dispozitivului care se utilizează cu sau generează curent continuu, iar - semnalează bornele negative ale dispozitivului care se utilizează cu sau generează curent continuu.
- Pe dispozitiv nu trebuie așezate surse de flacără deschisă, cum ar fi lumânări aprinse.
- Dacă portul serial al dispozitivului este utilizat numai pentru depanare, el este rezervat numai profesioniștilor sau serviciului de asistență tehnică pentru întreținerea dispozitivului.



- În cazul dispozitivelor care prezintă autocolantul  , acordați atenție următoarelor avertismente:  
ATENȚIE: Componente fierbinți! Nu atingeți. Degete arse la manipularea pieselor. Așteptați o jumătate de oră după deconectare înainte de a manipula piesele.
- Acest echipament nu este adecvat pentru utilizarea în locații în care este posibil să fie prezenți copii.

- Dacă este necesară instalarea dispozitivului,
  1. Instalați dispozitivul în conformitate cu instrucțiunile din Ghidul rapid de utilizare.
  2. Pentru a preveni rănirea, acest dispozitiv trebuie să fie fixat ferm de suprafața de instalare, în conformitate cu instrucțiunile de instalare.
- Nu amplasați niciodată dispozitivul într-o loc instabil. Dispozitivul poate cădea, cauza vătămări corporale sau decesul.
- Dacă dispozitivul este prevăzut pentru montarea pe perete sau pe plafon, suprafața de montare va trebui să reziste forței suplimentare egale cu de trei ori greutatea echipamentului, dar nu mai mică de 50 N. Dispozitivul și mijloacele de montaj aferente trebuie să rămână sigure în timpul instalării. După instalare, dispozitivul, inclusiv orice placă de montaj asociată, nu trebuie deteriorate.
- ATENȚIE: Dacă suportul este proiectat pentru un anumit model de dispozitiv de la compania noastră, utilizați suportul numai cu dispozitivul respectiv. Utilizarea cu alte dispozitive poate duce la instabilitate și cauza rănirea.
- ATENȚIE: Dacă dispozitivul trebuie instalat cu un anumit suport de la compania noastră, utilizați doar suportul respectiv. Utilizarea altor suporturi (precum cărucioare, console și alte suporturi) poate duce la instabilitate și cauza rănirea. Consultați fișa cu date a dispozitivului pentru detalii privind modelul de suport.
- Dacă este necesar să cablați dvs. dispozitivul, selectați cablul corespunzător pentru alimentarea electrică în conformitate cu parametrii electrici specificați pe eticheta dispozitivului. Dezizolați cablul cu un dezizolator standard în poziția corespunzătoare. Pentru a evita eventuale consecințe grave, lungimea cablului dezizolat trebuie să fie corespunzătoare și conductorii nu trebuie expuși.
- Asigurați-vă că, înainte de a conecta, a instala sau a dezasambla dispozitivul, acesta a fost, în prealabil, deconectat de la sursa de alimentare electrică.
- Dacă de la dispozitiv apar fum, miros sau zgomot, opriți imediat alimentarea, deconectați cablul de alimentare și contactați centrul de service.

## Slovenčina

### Súlrad s regulačnými predpismi a bezpečnostné informácie

Pred použitím zariadenia si pozorne prečítajte všetky informácie a pokyny v tomto dokumente a uschovajte si ho na ďalšie použitie. Ďalšie informácie o zariadení a pokyny nájdete na našej webovej stránke <https://www.hikvision.com>. Ďalšie informácie získate aj z iných dokumentov (ak existujú) priložených k zariadeniu alebo naskenovaním kódu QR (ak existuje) na obale.

### Odmietnutie zodpovednosti

V MAXIMÁLNO M MOŽNOM ROZSAHU, KTORÝ POVOĽUJÚ PRÍSLUŠNÉ PRÁVNE PREDPISY, SA TÁTO PRÍRUČKA A OPÍSANÝ PRODUKT SPOLU S JEHO HARDVÉROM, SOFTVÉROM A FIRMVÉROM, DODÁVAJÚ V STAVE „AKO SÚ“ A „SO VŠETKÝMI PORUCHAMI A CHYBAMI“. SPOLOČNOSŤ HIKVISION NEPOSKYTUJE ŽIADNE VÝSLOVNÉ ANI PREDPOKLADANÉ ZÁRUKY, OKREM INÉHO VRÁTANE ZÁRUKY PREDAJNOSTI, USPOKOJIVEJ KVALITY ALEBO VHODNOSTI NA KONKRÉTNY ÚČEL. POUŽÍVANIE PRODUKTU JE NA VAŠE VLASTNÉ RIZIKO. SPOLOČNOSŤ HIKVISION V ŽIADNOM PRÍPADE NENESIE ZODPOVEDNOSŤ ZA ŽIADNE OSOBNÉ,

NÁSLEDNÉ, NÁHODNÉ ALEBO NEPRIAME ŠKODY, OKREM INÉHO VRÁTANE ŠKÔD Z UŠLÉHO PODNIKATELSKÉHO ZISKU, PRERUŠENIA PODNIKANIA, STRATY ÚDAJOV, POŠKODENIA SYSTÉMOV ALEBO STRATY DOKUMENTÁCIE, ČI UŽ NA ZÁKLADE PORUŠENIA ZMLUVY, PREČINU (VRÁTANE NEDBALOSTI), ZODPOVEDNOSTI ZA PRODUKT ALEBO INAK V SÚVISLOSTI S POUŽÍVANÍM PRODUKTU, A TO ANI V PRÍPADE, AK BOLA SPOLOČNOSŤ HIKVISION UPOZORNENÁ NA MOŽNOSŤ TAKÝCHTO ŠKÔD.

UZNÁVATE, ŽE POVAHA INTERNETU UMOŽŇUJE INHERENTNÉ BEZPEČNOSTNÉ RIZIKÁ A SPOLOČNOSŤ HIKVISION NENESIE ŽIADNU ZODPOVEDNOSŤ ZA NEŠTANDARDNÚ PREVÁDZKU, ÚNIK OSOBNÝCH ÚDAJOV ANI ZA INÉ ŠKODY V DÔSLEDKU KYBERNETICKÉHO ÚTOKU, HAKERSKÉHO ÚTOKU, VÍRUSOVEJ INFEKČIE ALEBO INÝCH BEZPEČNOSTNÝCH RIZÍK SIETE INTERNET; V PRÍPADE POTREBY VŠAK SPOLOČNOSŤ HIKVISION POSKYTNE VČASNÚ TECHNICKÚ PODPORU.

SÚHLASÍTE S POUŽÍVANÍM TOHTO PRODUKTU V SÚLADE SO VŠETKÝMI PRÍSLUŠNÝMI ZÁKONMI A NESIETE VÝHRADNÚ

ZODPOVEDNOSŤ ZA ZABEZPEČENIE, ABY VAŠE POUŽÍVANIE BOLO V SÚLADE S PRÍSLUŠNÝMI ZÁKONMI. STE OBZVLÁŠŤ ZODPOVEDNÍ ZA POUŽÍVANIE TOHTO PRODUKTU SPÔSOBOM, KTORÝ NEPORUŠUJE PRÁVA TRETÍCH STRÁN, OKREM INÉHO PRÁVA PUBLICITY, PRÁVA DUŠEVNÉHO VLASTNÍCTVA, PRÁVA NA OCHRANU ÚDAJOV A INÉ PRÁVA NA OCHRANU SÚKROMIA. TENTO PRODUKT NESMIETE POUŽÍVAŤ NA ŽIADNE ZAKÁZANÉ ÚČELY VRÁTANE VÝVOJA ALEBO VÝROBY ZBRANÍ HROMADNÉHO NIČENIA, VÝVOJA ALEBO VÝROBY CHEMICKÝCH ALEBO BIOLOGICKÝCH ZBRANÍ, AKÝCHKOLĽVEK AKTIVÍT V SÚVISLOSTI S AKOUKOLĽVEK JADROVOU VÝBUŠNINOU ALEBO NEBEZPEČNÝM CYKLOM JADROVÉHO PALIVA, ALEBO NA PODPORU ZNEUŽÍVANIA ĽUDSKÝCH PRÁV.

V PRÍPADE AKÉHOKOLĽVEK NESÚLADU MEDZI TOUTO PRÍRUČKOU A PRÍSLUŠNÝMI PRÁVNÝMI PREDPISMI MAJÚ PREDNOSŤ PRÍSLUŠNÉ PRÁVNE PREDPISY.

### Tieto ustanovenia platia len pre produkty s príslušným označením alebo údajom.

#### Vyhľadanie o zhode s predpismi EÚ



Tento produkt a dodané príslušenstvo, ak je to relevantné, sú takisto označené značkou „CE“, takže sú v súlade s príslušnými harmonizovanými

európskymi normami uvedenými v smernici 2014/30/EÚ (EMCD), smernici 2014/35/EÚ (LVD), smernici 2011/65/EÚ (RoHS). Spoločnosť Hangzhou Hikvision Digital Technology Co., Ltd. týmto vyhlasuje, že toto zariadenie (pozrite štítok) je v súlade so smernicou 2014/53/EÚ.

Úplný text vyhlásenia o súlade pre EÚ je k dispozícii na tejto internetovej adrese:

<https://www.hikvision.com/en/support/compliance/declaration-of-conformity>.

Frekvenčné pásma a výkon (pre CE)

Frekvenčné pásma a nominálne limity vysielačieho výkonu (vyžarovaný resp. vedený) platné pre nasledujúce rádiové zariadenia sú nasledovné:

Model zariadenia	Frekvenčné pásma a výkon
DS-2XS*W*	Wi-Fi 2,4 GHz (2,4 GHz – 2,4834 GHz): 20 dBm

Ak vaše zariadenie bolo dodané bez napájacieho adaptéra, používajte napájací adaptér dodaný kvalifikovaným výrobcom. Podrobné požiadavky na napájanie nájdete v špecifikácii výrobku. Ak vaše zariadenie bolo dodané bez batérie, používajte batériu dodanú kvalifikovaným výrobcom. Podrobné požiadavky na batériu nájdete v špecifikácii výrobku.



Smernica 2012/19/EÚ (smernica o odpade z elektrických a elektronických zariadení): Produkty označené týmto symbolom sa v rámci Európskej únie nesmú likvidovať spolu s netriedeným komunálnym odpadom.

Po zakúpení ekvivalentného nového zariadenia zrecyklujte produkt tým, že ho odovzdáte miestnemu dodávateľovi alebo ho zlikvidujete na určených zberných miestach. Ďalšie informácie nájdete na: [www.recyclethis.info](http://www.recyclethis.info).



Smernica 2006/66/ES a príslušné doplnenia 2013/56/EÚ (smernica o batériách): Tento produkt obsahuje batériu, ktorá sa v rámci Európskej únie nesmie likvidovať spolu s netriedeným komunálnym odpadom.

Konkrétne informácie o batérii nájdete v dokumentácii produktu. Batéria je označená týmto symbolom, ktorý môže


obsahovať písmená označujúce obsah kadmia (Cd), olova (Pb) alebo ortuti (Hg). Zrecyklujte batériu tým, že ju odovzdáte dodávateľovi alebo ju zlikvidujete na určenom zbernom mieste. Ďalšie informácie nájdete na: [www.recyclethis.info](http://www.recyclethis.info).

#### Bezpečnostné informácie

Pred použitím si pozorne prečítajte všetky bezpečnostné informácie.

- Pri používaní produktu je potrebné, aby ste dôsledne dodržiavali elektroinštalačné bezpečnostné predpisy platné na celoštátnej a regionálnej úrovni.
- V nezvyčajných podmienkach, napríklad na vrchole hory, na kovovej veži alebo v lese, zabezpečte vstupný otvor zariadenia ochranou proti prepätiu.
- V prípade zariadenia, ktoré sa zapína a vypína len pomocou sieťovej zástrčky a zásuvky, musí byť zásuvka nainštalovaná v blízkosti zariadenia a ľahko prístupná.
- Nedotýkajte sa odkrytých komponentov (ako sú kovové kontakty privodov) a počkajte aspoň 5 minút, pretože po vypnutí zariadenia môže byť stále prítomná elektrina.
- Zabráňte prehltnutiu batérie. Nebezpečenstvo chemických popálenín!
- Tento produkt obsahuje plochú/gombíkovú batériu. V prípade prehltnutia plochej/gombíkovej batérie môže dôjsť k vážnym vnútorným popáleninám už v priebehu 2 hodín, ktoré môžu spôsobiť smrť.
- Nové a použité batérie uchovajte mimo dosahu detí.
- Ak sa priečinok batérie nedá bezpečne zavrieť, prestaňte produkt používať a uchovajte ho mimo dosahu detí.
- Ak si myslíte, že mohlo dôjsť k prehltnutiu batérií alebo ich vloženiu do akejkoľvek časti tela, okamžite vyhľadajte lekársku pomoc.
- VÝSTRAHA: Riziko výbuchu v prípade výmeny batérie za nesprávny typ.
- Pri nevhodnej výmene batérie za nesprávny typ sa môže deaktivovať bezpečnostný prvok (napríklad pri niektorých typoch lítiových batérií).
- Batériu nekladajte do ohňa alebo horúcej rúry ani ju mechanicky nedrvtite ani nerezte, pretože by to mohlo spôsobiť výbuch.
- Batériu nenechávajte v prostredí s mimoriadne vysokou teplotou, čo môže viesť k výbuchu alebo úniku horľavých kvapalín alebo plynov.
- Batériu nevystavujte mimoriadne nízkemu tlaku vzduchu, čo môže viesť k výbuchu alebo úniku horľavých kvapalín alebo plynov.
- Použité batérie zlikvidujte podľa príslušných pokynov.
- + označuje svorky s kladnou polaritou v prípade zariadenia, ktoré sa používa s jednosmerným prúdom alebo ho vytvára, a - označuje svorky so zápornou polaritou v prípade zariadenia, ktoré sa používa s jednosmerným prúdom alebo ho vytvára.
- Na zariadenie sa nesmú umiestňovať žiadne zdroje otvoreného ohňa, napríklad zapálené sviečky.
- Ak sa sériový port daného zariadenia používa len na účely ladenia, je vyhradený len pre profesionálov alebo technickú podporu na údržbu zariadenia.



- V prípade zariadenia s nálepkou  alebo



venujte pozornosť nasledujúcim výstrahám:

- **VÝSTRAHA:** Horúce súčasti! Nedotýkať sa. Pri manipulácii so súčastami si môžete popáliť prsty. Pred manipuláciou s jednotlivými časťami zariadenie vypnite a počkajte pol hodiny.
- Toto zariadenie nie je vhodné na používanie na miestach, na ktorých sa môžu vyskytovať deti.
- Ak je potrebná inštalácia zariadenia,
  1. Zariadenie namontujte podľa pokynov v stručnej úvodnej príručke.
  2. Aby sa predišlo zraneniu, musí byť zariadenie bezpečne pripevnené k inštalačnému povrchu podľa inštalačných pokynov.
- Nikdy neumiestňujte zariadenie na nestabilné miesto. Zariadenie môže spadnúť, v dôsledku čoho môže dôjsť k vážnemu zraneniu alebo usmrteniu.
- Ak je zariadenie možné montovať na stenu alebo na strop, montážny povrch musí byť schopný odolať dodatočnej sile trojnásobku hmotnosti zariadenia, ale nie menšej ako 50 N. Zariadenie a jeho pridružené montážne prostriedky musia

zostať počas inštalácie bezpečné. Po montáži nesmie dôjsť k poškodeniu zariadenia ani žiadnej pripojenej montážnej dosky.

- **VÝSTRAHA:** Ak je daná konzola určená pre špecifický model zariadenia od našej spoločnosti, použite na tejto konzole len zodpovedajúce zariadenie. Použitím iných zariadení sa dané zariadenie môže stať nestabilným a spôsobiť zranenie.
- **VÝSTRAHA:** Ak je potrebné inštalovať dané zariadenie pomocou špecifickej konzoly od našej spoločnosti, použite len túto zodpovedajúcu konzolu. Použitím niečoho iného (napríklad vozíkov, stojanov a držiakov) sa zariadenie môže stať nestabilným a spôsobiť zranenie. Podrobnosti o modeli konzoly nájdete v hárku s údajmi.
- Ak zariadenie musíte pripojiť sami, vyberte príslušný kábel na napájanie podľa elektrických parametrov uvedených na zariadení. Odizolujte kábel pomocou štandardného odstraňovača izolácie káblov na príslušnom mieste. Aby sa predišlo vážnym následkom, dĺžka odizolovaného kábla musí byť primeraná a vodiče nesmú byť odkryté.
- Pred pripájaním, inštaláciou alebo demontážou zariadenia sa uistite, že je odpojené napájanie.
- Ak zo zariadenia vychádza dym, zápach alebo hluk, ihneď vypnite napájanie, odpojte napájací kábel a obráťte sa na servisné stredisko.

## Bahasa Indonesia

### Kepatuhan terhadap Peraturan dan Informasi Keselamatan

Baca semua informasi dan petunjuk dalam dokumen ini secara cermat sebelum menggunakan perangkat dan simpan jika sewaktu-waktu dibutuhkan.

Untuk informasi dan petunjuk lain tentang perangkat, kunjungi situs web kami di <https://www.hikvision.com>. Lihat dokumen lain (jika ada) yang menyertai perangkat atau pindai kode QR (jika ada) pada kemasan untuk memperoleh informasi lain.

### Penafian

SEPANJANG DIPERBOLEHKAN OLEH PERATURAN YANG BERLAKU, MANUAL INI DAN PRODUK YANG DIJELASKAN, BESERTA PERANGKAT KERAS, PERANGKAT LUNAK, DAN FIRMWARE, DISEDIAKAN "SEPERTI ADANYA" DAN "DENGAN SEMUA CACAT DAN KESALAHAN". HIKVISION TIDAK MEMBERIKAN JAMINAN TERSURAT ATAUPUN TERSIRAT, TERMASUK TIDAK TERBATAS PADA, JAMINAN KOMERSIAL, KUALITAS MEMUASKAN, ATAUPUN KECOCOKAN UNTUK TUJUAN TERTENTU. PENGGUNAAN PRODUK OLEH ANDA ADALAH ATAS RISIKO ANDA SENDIRI. DALAM SEGALA HAL, HIKVISION TIDAK BERTANGGUNG JAWAB KEPADA ANDA ATAS KERUSAKAN KHUSUS, IKUTAN, INSIDENTIL, ATAU TIDAK LANGSUNG, TERMASUK, ANTARA LAIN, KERUGIAN AKIBAT HILANGNYA LABA USAHA, TERGANGGUNYA USAHA, ATAU HILANGNYA DATA, KERUSAKAN SISTEM, ATAU HILANGNYA DOKUMEN, BAIK BERDASARKAN PELANGGARAN ATAS KONTRAK, TINDAKAN MELAWAN HUKUM (TERMASUK KELALAIAN), KEWAJIBAN PRODUK, ATAU LAINNYA, TERKAIT PENGGUNAAN PERANGKAT LUNAK, MESKIPUN HIKVISION SUDAH DIBERITAHU ADANYA POTENSI KERUSAKAN ATAU KERUGIAN SEMACAM ITU. ANDA MENGAKUI BAHWA SIFAT INTERNET MENGHADIRKAN RISIKO KEAMANAN TIDAK TERLIHAT, DAN HIKVISION TIDAK BERTANGGUNG JAWAB ATAS ABNORMALITAS PENGOPERASIAN, KEBOCORAN PRIVASI, ATAU KERUSAKAN LAIN AKIBAT SERANGAN SIBER, SERANGAN PERETAS, INFEKSI VIRUS, DAN RISIKO

KEAMANAN INTERNET LAINNYA; AKAN TETAPI, HIKVISION AKAN MENYEDIAKAN DUKUNGAN TEKNIS SECARA BERKALA JIKA DIBUTUHKAN.

ANDA SETUJU UNTUK MENGGUNAKAN PRODUK INI DENGAN MEMATUHI SEMUA PERATURAN YANG BERLAKU DAN ANDA SECARA PRIBADI BERTANGGUNG JAWAB MEMASTIKAN PENGGUNAAN OLEH ANDA MEMATUHI PERATURAN YANG BERLAKU. SECARA KHUSUS, ANDA BERTANGGUNG JAWAB MENGGUNAKAN PRODUK DENGAN CARA YANG TIDAK MELANGGAR HAK-HAK PIHAK KETIGA, TERMASUK TANPA BATASAN PADA, HAK PUBLISITAS, HAK KEKAYAAN INTELEKTUAL, ATAU PERLINDUNGAN DATA DAN HAK PRIVASI LAINNYA. ANDA DILARANG MENGGUNAKAN PRODUK UNTUK PENGGUNAAN AKHIR YANG DILARANG, TERMASUK PENGEMBANGAN ATAU PRODUKSI SENJATA PEMUSNAH MASSAL, PENGEMBANGAN ATAU PRODUKSI SENJATA KIMIA ATAU BIOLOGIS, AKTIVITAS YANG BERHUBUNGAN DENGAN BAHAN PELEDAK NUKLIR ATAU DAUR BAHAN BAKAR NUKLIR SECARA TIDAK AMAN ATAU UNTUK MENDUKUNG PELANGGARAN HAK ASASI MANUSIA. JIKA TERJADI PERTENTANGAN ANTARA MANUAL INI DAN PERATURAN YANG BERLAKU, YANG DISEBUT TERAKHIR DIPRIORITASKAN.

---

**Klausul ini hanya berlaku untuk produk yang memuat tanda atau informasi yang sesuai.**

---

### Pernyataan Kepatuhan UE



Produk ini dan - jika berlaku - juga aksesori yang disediakan mencantumkan tanda "CE" dan oleh karena itu mematuhi standar Eropa yang diharmonisasi dan berlaku berdasarkan Direktif 2014/30/UE (EMCD), Direktif 2014/35/UE (LVD), Direktif 2011/65/UE (RoHS).

Dengan ini, Hangzhou Hikvision Digital Technology Co., Ltd. menyatakan bahwa perangkat ini (lihat label) mematuhi Direktif 2014/53/UE.

Teks lengkap pernyataan kesesuaian UE ini dapat ditemukan pada alamat internet berikut:

<https://www.hikvision.com/en/support/compliance/declaration-of-conformity>.

Pita frekuensi dan Daya (untuk CE)

Pita frekuensi dan batas nominal daya transmisi (radiasi dan/atau konduksi) yang berlaku untuk peralatan radio berikut adalah sebagai berikut:

Model Peralatan	Pita Frekuensi dan Daya
DS-2XS*W*	Wi-Fi 2,4 GHz (2,4 GHz – 2,4834 GHz): 20 dBm

Untuk perangkat tanpa adaptor daya yang disertakan, gunakan adaptor daya yang disediakan oleh produsen yang memiliki kualifikasi. Baca spesifikasi produk untuk mengetahui tentang persyaratan daya secara detail.

Untuk perangkat tanpa baterai yang disertakan, gunakan baterai yang disediakan oleh produsen yang memiliki kualifikasi. Baca spesifikasi produk untuk mengetahui tentang persyaratan baterai secara detail.



Direktif 2012/19/UE (WEEE Directive): Produk yang bertanda simbol ini tidak boleh dibuang sebagai sampah umum yang tidak disortir di wilayah Uni Eropa. Agar dapat didaur ulang sesuai ketentuan,

kembalikan produk ini ke toko terdekat saat Anda membeli peralatan pengganti yang baru, atau buang pada titik pengumpulan yang ditentukan. Untuk informasi lebih lengkap, kunjungi: [www.recyclethis.info](http://www.recyclethis.info).



Direktif 2006/66/EC dan amendemennya 2013/56/UE (Direktif Baterai): Produk ini berisi baterai yang tidak boleh dibuang sebagai sampah umum yang tidak disortir di wilayah Uni Eropa. Lihat dokumentasi

produk untuk informasi spesifik tentang baterai. Baterai ini ditandai dengan simbol ini, yang mungkin disertai huruf untuk menandakan kadmium (Cd), timbal (Pb), atau merkuri (Hg). Agar dapat didaur ulang sesuai ketentuan, kembalikan baterai ke toko atau titik pengumpulan yang ditentukan. Untuk informasi lebih lengkap, kunjungi: [www.recyclethis.info](http://www.recyclethis.info).


### Informasi Keselamatan

Baca semua informasi keselamatan dengan teliti sebelum menggunakan perangkat.

- Selama menggunakan produk ini, Anda harus sepenuhnya mematuhi peraturan keselamatan kelistrikan dari pemerintah.
- Sediakan penekan lonjakan pada bukaan inlet perangkat dalam kondisi khusus, seperti puncak gunung, menara besi, dan hutan.
- Untuk perangkat yang dinyalakan dan dimatikan hanya dengan steker dan stopkontak listrik, maka stopkontak harus dipasang di dekat perangkat serta harus mudah diakses.
- Jangan menyentuh komponen yang terbuka (seperti kotak logam pada inlet) dan tunggu setidaknya 5 menit, karena arus listrik mungkin masih tersisa setelah perangkat dimatikan.
- Jangan menelan baterai. Bahaya Luka Bakar Kimia!
- Produk ini menggunakan baterai sel berbentuk koin/kancing. Baterai sel koin/kancing, jika tertelan, dapat menyebabkan luka bakar internal serius hanya dalam waktu 2 jam dan dapat mengakibatkan kematian.

- Simpan baterai baru dan bekas jauh dari jangkauan anak-anak.
- Jika kompartemen baterai tidak dapat ditutup sempurna, hentikan penggunaan produk dan jauhkan dari jangkauan anak-anak.
- Jika Anda curiga baterai telah tertelan atau memasuki bagian tubuh mana pun, segera hubungi dokter.
- PERHATIAN: Risiko ledakan jika baterai diganti dengan jenis yang salah.
- Penggantian baterai yang tidak tepat dengan baterai dari jenis yang salah dapat memengaruhi keamanan (misalnya, untuk beberapa jenis baterai litium).
- Jangan membuang baterai ke dalam api atau oven panas, atau menghancurkan atau memotongnya secara mekanis, karena dapat menyebabkan ledakan.
- Jangan meletakkan baterai di lingkungan yang bersuhu sangat tinggi, karena dapat menyebabkan ledakan atau kebocoran cairan atau gas yang mudah terbakar.
- Jangan membiarkan baterai terpapar tekanan udara yang sangat rendah, karena dapat menyebabkan ledakan atau kebocoran cairan atau gas yang mudah terbakar.
- Buang baterai bekas sesuai petunjuk.
- tanda + menunjukkan terminal positif pada perangkat yang digunakan dengan atau menghasilkan arus searah, sementara tanda - menunjukkan terminal negatif pada perangkat yang digunakan dengan atau menghasilkan arus searah.
- Jangan menempatkan sumber nyala api terbuka, misalnya lilin yang menyala, di atas perangkat.
- Jika port seri perangkat digunakan untuk debugging saja, port ini dicadangkan hanya untuk tenaga profesional atau dukungan teknis saat pemeliharaan perangkat.



- Untuk perangkat yang memuat stiker  atau



- , berikan perhatian terhadap yang berikut ini: PERHATIAN: Komponen panas! Jangan sentuh. Jari terbakar saat menangani komponen. Tunggu satu setengah jam setelah peralatan dimatikan sebelum menangani komponen.
- Peralatan ini tidak cocok untuk digunakan di lokasi anak-anak beraktivitas.
  - Jika pemasangan perangkat diperlukan,
    1. Pasang perangkat sesuai petunjuk di dalam Panduan Mulai cepat.
    2. Untuk mencegah cedera, pasang perangkat ini dengan erat ke permukaan pemasangan sesuai petunjuk pemasangan.
  - Jangan pernah menempatkan perangkat ini di lokasi yang tidak stabil. Perangkat dapat terjatuh dan menyebabkan cedera serius hingga kematian.
  - Jika perangkat mendukung pemasangan di dinding atau plafon, permukaan pemasangan harus mampu menahan gaya tambahan sebesar tiga kali berat perangkat tetapi tidak kurang dari 50 N. Perangkat dan sarana pemasangan terkait harus tetap diertakkan selama pemasangan. Setelah pemasangan, perangkat, termasuk semua pelat dudukannya, tidak boleh rusak.
  - PERHATIAN: Jika braket dirancang khusus untuk model perangkat tertentu dari perusahaan kami, hanya gunakan braket dengan perangkat yang sesuai. Penggunaan dengan



perangkat lain dapat menyebabkan ketidakstabilan dan menyebabkan cedera.

- PERHATIAN: Jika perangkat harus dipasang dengan braket khusus dari perusahaan kami, hanya gunakan braket yang sesuai. Penggunaan peralatan lain (seperti *cart*, *stand*, dan *carrier*) dapat mengakibatkan ketidakstabilan dan menyebabkan cedera. Lihat lembar data perangkat untuk detail lebih lanjut tentang model braket.
- Jika perangkat memerlukan pengkabelan yang Anda lakukan sendiri, pilih kabel yang sesuai untuk menyuplai daya sesuai

parameter listrik yang tertera pada perangkat. Lepas selubung kabel dengan alat pelucut kabel standar pada posisi yang sesuai. Untuk menghindari dampak yang parah, panjang kawat yang dikelupas harus sesuai, dan konduktor tidak boleh terbuka.

- Pastikan aliran daya dimatikan sebelum Anda menyambung, memasang, atau membongkar perangkat.
- Jika muncul asap, bau, atau derau dari perangkat, segera matikan perangkat, cabut kabel daya, lalu hubungi pusat servis.



### စည်းမျဉ်းစည်းကမ်း လိုက်နာရန်နှင့် ဘေးကင်းရေး အချက်အလက်

စက်ကိုအသုံးမပြုမီ ဤစာရွက်စာတမ်းရှိ အချက်အလက်နှင့် ညွှန်ကြားချက်အားလုံးကို သေချာဖတ်ပြီး နောင်တွင် ကိုးကားရန်အတွက် သိမ်းဆည်းထားပါ။

စက်ဆိုင်ရာ အချက်အလက်နှင့် ညွှန်ကြားချက်များကို ပိုမိုသိရှိလိုပါက၊ ကျွန်ုပ်တို့၏ ဝက်ဘ်ဆိုက်ဖြစ်သော <https://www.hikvision.com> သို့ ဝင်ရောက်ကြည့်ရှုပါ။ စက်နှင့်အတူပါရှိသော အခြားစာရွက်စာတမ်းများ (ရှိပါက) ကိုလည်း ကိုးကားနိုင်သည် သို့မဟုတ် အချက်အလက်ပိုမိုရရှိရန် ထုတ်ပိုးမှုတွင် QR ကုဒ် (ရှိပါက) စကန်ဖတ်နိုင်သည်။

### ငြင်းဆိုချက်


အကျုံးဝင်သည့် သက်ဆိုင်သောဥပဒေက ခွင့်ပြုထားသည့် အမြင့်ဆုံး အတိုင်းအတာဖြင့် ဤလက်စွဲစာအုပ်နှင့် ဖော်ပြထားသော ထုတ်ကုန်ကို ၎င်း၏ စက်ပစ္စည်းများ၊ ဆော့ဖ်ဝဲနှင့် ဖမ်းဝဲများနှင့်အတူ "ယင်းအတိုင်း" နှင့် "အမှားအယွင်းများအားလုံးနှင့်အတူ" ဖော်ပြထားသည်။

HIKVISION သည် ကန့်သတ်မှု၊ ကုန်သွယ်နိုင်စွမ်း၊ ကျေနပ်လောက်ဖွယ် အရည်အသွေး၊ သို့မဟုတ် သီးခြားရည်ရွယ်ချက် တစ်စုံတစ်ခုအတွက် ကြံ့ခိုင်မှုများ မရှိခြင်း အပါအဝင် မည်သည့် အာမခံချက်များကို အတိအလင်း ဖြစ်စေ သွယ်ဝိုက်၍ ဖြစ်စေ ပေးထားခြင်း မရှိပါ။ ကုန်ပစ္စည်းအား အသုံးပြုပါက သင့်ဘာသာသင် တာဝန်ယူ ရမည်။ မည်သည့်အခြေအနေတွင်မဆို စာချုပ်ချိုးဖောက်မှုကြောင့်ဖြစ်စေ၊ အကျိုးပျက်စီးခြင်းဖြစ်စေ (ပေါ့လျော့မှု အပါအဝင်)၊ ထုတ်ကုန်ပစ္စည်း ပြဿနာ ကြောင့်ဖြစ်စေ၊ သို့မဟုတ်ပါက ဤထုတ်ကုန်ပစ္စည်းအား အသုံးပြုမှုကြောင့် ဖြစ်စေ စီးပွားရေးလုပ်ငန်း အကျိုးအမြတ် ဆုံးရှုံးမှု သို့မဟုတ် အချက်အလက် ဆုံးရှုံးမှု၊ စနစ်များ ယိုယွင်းပျက်စီးမှု သို့မဟုတ် စာရွက်စာတမ်း ပျက်စီး ပျောက်ဆုံးမှုကြောင့် ထိခိုက်မှုများ အပါအဝင် အထူးတလည်၊ အကျိုးဆက်စပ်၍၊ မတော်တဆ သို့မဟုတ် တိုက်ရိုက် ထိခိုက်မှုများအတွက် ထိုထိခိုက်မှု သို့မဟုတ် ဆုံးရှုံးမှုများအကြောင်း HIKVISION အား အကြံပြု အသိပေးပြီး ဖြစ်စေကာမူ HIKVISION မှ တာဝန်ယူမည် မဟုတ်ပါ။

အင်တာနက် သဘောသဘာဝအရ တည်ရှိဆဲ လုံခြုံရေး ဘေးအန္တရာယ်များ ပေးနိုင်သည်ကို သင် အသိအမှတ်ပြုပြီး ပုံမှန်မဟုတ်သော လုပ်ငန်းလည်ပတ်မှု၊ ပုဂ္ဂိုလ်ရေးဆိုင်ရာ

အချက်အလက် ပေါက်ကြားမှု သို့မဟုတ် ဆိုင်ဘာ တိုက်ခိုက်မှုများ၊ ဟက်ကာ တိုက်ခိုက်မှုများ၊ ဝိုင်းရပ်စ် ကူးစက်မှု သို့မဟုတ် အခြား အင်တာနက် လုံခြုံရေး အန္တရာယ်များ၏ ရလဒ်အဖြစ် ဖြစ်ပေါ်လာသော အခြားပျက်စီးမှုများ၊ အပေါ် HIKVISION သည် တာဝန်ယူလိမ့်မည်မဟုတ်ပါ။ သို့ရာတွင် HIKVISION သည် လိုအပ်ပါက နည်းပညာပံ့ပိုးမှုကို အချိန်နှင့် တစ်ပြေးညီပေးသွားမည်။ သင်သည် အကျုံးဝင်သော ဥပဒေများနှင့် အညီ ဤကုန်ပစ္စည်းကို အသုံးပြုရန် သဘောတူညီပြီး သင်၏ အသုံးပြုမှုသည် အကျုံးဝင်သော ဥပဒေနှင့် ကိုက်ညီစေရန် သင်က လုံးဝ တာဝန်ခံရမည် ဖြစ်သည်။ အထူးသဖြင့် သင်သည် ဤကုန်ပစ္စည်းကို အသုံးပြုရာတွင် အများပြည်သူ၏ အခွင့်အရေးများ၊ အသိပညာ ပိုင်ဆိုင်မှု အခွင့်အရေးများ သို့မဟုတ် အချက်အလက် ကာကွယ်ရေး နှင့် အခြား ပုဂ္ဂိုလ်ရေး ဆိုင်ရာ အချက်အလက် လုံခြုံမှု အခွင့်အရေးများ အပါအဝင် ဖြစ်သော်လည်း ယင်းတို့သာ အကန့်အသတ်မဟုတ်ဘဲ အပြင်အပ လူပုဂ္ဂိုလ် များ၏ အခွင့်အရေးများကို ချိုးဖောက်သော ပုံစံဖြင့် အသုံးပြုခြင်း မပြုရန် သင့်တွင် တာဝန်ရှိသည်။ လူအစုအပြုံလိုက် သေကြေပျက်စီးစေနိုင်သော လက်နက်များ တီထွင် ဖန်တီးခြင်း သို့မဟုတ် ထုတ်လုပ်ခြင်း၊ ဓာတု သို့မဟုတ် ဇီဝ လက်နက်များ တီထွင်ဖန်တီးခြင်း သို့မဟုတ် ထုတ်လုပ်ခြင်း၊ မည်သည့် ပေါက်ကွဲစေတတ်သော နျူးကလီးယား လက်နက် သို့မဟုတ် ဘေးကင်းလုံခြုံမှု မရှိသော နျူးကလီးယား လောင်စာ သံသရာတို့နှင့် သက်ဆိုင်သော အခြေအနေတွင် သို့မဟုတ် လူ့အခွင့်အရေး ချိုးဖောက်မှုကို ပံ့ပိုးသော လုပ်ဆောင်မှု တစ်စုံတရာ တို့ အပါအဝင် မည်သည့် အဆုံးသတ် အသုံးပြုမှု အတွက်ကိုမဆို သင်သည် ဤကုန်ပစ္စည်းကို အသုံးပြုခြင်း မပြုရပါ။ ဤလမ်းညွှန်နှင့် သက်ဆိုင်ရာ ဥပဒေတို့အကြား ကွဲလွဲမှုများ ရှိခဲ့ပါက ဥပဒေပါ ပြဌာန်းချက်ကိုသာ အတည်ယူရမည်။

**ဤအပိုဒ်များသည် သက်ဆိုင်ရာ အမှတ်အသား သို့မဟုတ် အချက်အလက်များ ပါရှိသော ထုတ်ကုန်များနှင့်သာ သက်ဆိုင်ပါသည်။**

**EU လိုက်နာရန် ထုတ်ပြန်ချက်**  
 ဤထုတ်ကုန်နှင့် - ကိုက်ညီပါက - ပံ့ပိုးပေးထားသော ဆက်စပ်ပစ္စည်းများကိုလည်း "CE" ဖြင့်

အမှတ်အသားပြုထားပြီး 2014/30/EU (EMCD) ညွှန်ကြားချက်၊ 2014/35/EU (LVD) ညွှန်ကြားချက်၊ 2011/65/EU (RoHS) ညွှန်ကြားချက် အောက်တွင် ဖော်ပြထားသော သက်ဆိုင်ရာ သဟဇာတဖြစ်သော ဥပဒေပစ်ခန်းများနှင့် ကိုက်ညီပါသည်။ Hangzhou Hikvision ဒစ်ဂျစ်တယ်နည်းပညာ ကုမ္ပဏီ လီမိတက်သည် ဤနေရာမှ ကြေညာအပ်သည်မှာ ဤကိရိယာသည် (ကပ်ထားသော တံဆိပ်ကို ကိုးကားပါ) သည် လမ်းညွှန်ချက် 2014/53/EU နှင့် ကိုက်ညီပါသည်။

EU ထုံးတမ်းစဉ်လာ ကြေငြာစာတမ်း စာသားအပြည့်အစုံကို အောက်ပါအင်တာနက်လိပ်စာတွင် ရရှိနိုင်ပါသည်- <https://www.hikvision.com/en/support/compliance/declaration-of-conformity> တွင်ကြည့်ပါ။

ကြိမ်နှုန်းခွင်များနှင့် ပါဝါ (CE အတွက်) အောက်ဖော်ပြပါ ရေဒီယိုစက်ပစ္စည်းနှင့် သက်ဆိုင်သော ကြိမ်နှုန်းခွင်များနှင့် အားထုတ်လွှတ်မှုကန့်သတ်ချက် (ဖြာထွက်မှုနှင့်/သို့မဟုတ် လျှပ်ကူးမှု) တို့မှာ အောက်ပါအတိုင်းဖြစ်ပါသည်-

စက်ပစ္စည်း ဖော်ဒယ်	ကြိမ်နှုန်းခွင်များနှင့် ပါဝါ
DS-2XS*W*	Wi-Fi 2.4 GHz (2.4 GHz - 2.4834 GHz): 20 dBm

ပါဝါ အဒက်ပတာ မပါရှိသော ကိရိယာများအတွက် အရည်အသွေးမီသော ထုတ်လုပ်သူမှ ထုတ်သော ပါဝါ အဒက်ပတာကို သုံးပါ။ ပါဝါ လိုအပ်ချက်ဆိုင်ရာ အသေးစိတ်အတွက် ထုတ်ကုန် သတ်မှတ်ချက်များကို ကိုးကားပါ။ ဘက်ထရီမပါရှိသော ကိရိယာများအတွက် အရည်အသွေးမီသော ထုတ်လုပ်သူမှ ထုတ်သော ဘက်ထရီကို သုံးပါ။ ဘက်ထရီ လိုအပ်ချက်များ အသေးစိတ်အတွက် ထုတ်ကုန် သတ်မှတ်ချက်များကို ကိုးကားပါ။



2012/19/EU ညွှန်ကြားချက် (WEEE ညွှန်ကြားချက်)- ဤသင်္ကေတ ကပ်ထားသည့် ထုတ်ကုန်များကို ဥပဒေပစ်ခန်းအတွင်း ရောနှောစည်ပင်အမှုိုက်အနေဖြင့် စွန့်ပစ်နိုင်ခြင်း မရှိပါ။ သေချာစွာ ရီဆိုင်ကယ်လုပ်ရန်အတွက် ဤထုတ်ကုန်ပစ္စည်းကို အလားတူ ပစ္စည်းအသစ်တစ်ခု ဝယ်ယူချိန်တွင် သင့်နယ်ခံ ပစ္စည်းရောင်းချသူထံ ပြန်ပေးပါ သို့မဟုတ် သတ်မှတ်ထားသည့် ပစ္စည်းရောင်းချသော နေရာများ၌ စွန့်ပစ်ပါ။ ပိုမိုသိရှိလိုပါက [www.recyclethis.info](http://www.recyclethis.info) တွင်ကြည့်ပါ။



2006/66/EC ညွှန်ကြားချက်နှင့် ၎င်း၏ ပြင်ဆင်ဖြည့်စွက်ချက် 2013/56/EU (ဘက်ထရီဆိုင်ရာ ညွှန်ကြားချက်)- ဤထုတ်ကုန်ပစ္စည်းတွင် ဥပဒေပစ်ခန်းအတွင်း ရောနှော စည်ပင်အမှုိုက်အနေဖြင့် စွန့်ပစ်နိုင်ခြင်း မရှိသည့် ဘက်ထရီ တစ်လုံး ပါဝင်နေပါသည်။ ဘက်ထရီအတွက် သီးသန့်အချက် အလက်များကို ထုတ်ကုန်ပစ္စည်းပါ စာရွက်စာတမ်းများ၌ ကြည့်ပါ။ ဤဘက်ထရီကို ကတ်ဒီမီယမ် (Cd)၊ ခဲ (Pb) သို့မဟုတ် ပြဒါး (Hg) ဟု ညွှန်ပြမည့် စွန့်ပစ်ခြင်းပါဝင်နိုင်ကြောင်း ဤသင်္ကေတဖြင့် မှတ်သားထားပါသည်။ သေချာစွာ

ရီဆိုင်ကယ်လုပ်ရန်အတွက် ဤဘက်ထရီကို သင့်နယ်ခံ ပစ္စည်း ရောင်းချသူထံ ပြန်ပေးပါ သို့မဟုတ် သတ်မှတ်ထားသည့် စုဆောင်းသော နေရာ၌ စွန့်ပစ်ပါ။ ပိုမိုသိရှိလိုပါက [www.recyclethis.info](http://www.recyclethis.info) တွင်ကြည့်ပါ။

**ဘေးကင်းရေးဆိုင်ရာ အချက်အလက်**

အသုံးမပြုမီ ဘေးကင်းရေးဆိုင်ရာ အချက်အလက်များကို သေချာစွာ ဖတ်ရှုပါ။

- ဤထုတ်ကုန်ပစ္စည်းအား အသုံးပြုရာတွင် နိုင်ငံနှင့် ဒေသတွင်းရှိ လျှပ်စစ်ဆိုင်ရာ ဘေးကင်းလုံခြုံရေး စည်းမျဉ်းအများကို အပြည့်အဝ လိုက်နာဆောင်ရွက်ရမည် ဖြစ်သည်။
- တောင်ထိပ်၊ သံတာဝါတိုင်နှင့် သစ်တောများကဲ့သို့ အထူး အခြေအနေများအောက်တွင် ကိရိယာ၏ အဝင်ပေါက်တွင် ရုတ်တရက် လျှပ်ရှားမှု အထိန်းကို ထည့်ပေးပါ။
- ပါဝါပလပ်နှင့် ပလပ်ပေါက်များဖြင့်သာ အဖွင့်အပိတ်လုပ်ထားသော စက်ပစ္စည်းအတွက်၊ ပလပ်ပေါက်ကို စက်အနီးတွင် တပ်ဆင်ထားရမည်ဖြစ်ပြီး အလွယ်တကူ ရယူအသုံးပြုနိုင်မည်ဖြစ်သည်။
- ကိရိယာကို ပါဝါ ပိတ်ပြီးနောက်တွင် လျှပ်စစ်ခါတ်အား ရှိနေနိုင်သေးသောကြောင့် (အဝင်အထွက်များ ၏ သတ္တုမျက်နှာပြင်များ) မထိတွေ့ပဲ အနည်းဆုံး 5 မိနစ်ခန့် စောင့်ပါ။
- ဘက်ထရီကို မြို့ချခြင်း မပြုပါနှင့်။ ဓာတုပစ္စည်းလောင်ကျွမ်းခြင်း အန္တရာယ်။
- ဤကိရိယာတွင် ငွေအကြွေစေ့/ကြယ်သီးပုံ ဆဲလ်ဘက်ထရီတစ်လုံး ပါရှိသည်။ ငွေအကြွေစေ့/ကြယ်သီးပုံ ဆဲလ်ဘက်ထရီကို မြို့ချမိပါက အချိန် ၂ နာရီအတွင်း ပြင်းထန်သော ခန္ဓာကိုယ်တွင်း ဓာတုလောင်ကျွမ်းမှုများ ဖြစ်စေနိုင်ပြီး သေဆုံးသည်အထိ ဖြစ်နိုင်ပါသည်။
- ဘက်ထရီ အသစ်များ၊ သုံးပြီးသားများကို ကလေးများနှင့် ဝေးရာတွင် ထားပါ။
- ဘက်ထရီအခန်း သေချာမပိတ်ပါက ထိုကိရိယာကို ဆက်မသုံးဘဲ ကလေးများနှင့် ဝေးရာတွင် ထားပါ။
- ဘက်ထရီကို မြို့ချမိသည် သို့မဟုတ် ခန္ဓာကိုယ်တွင်း နေရာတစ်နေရာသို့ ဝင်သွားသည်ဟု ထင်ပါက ဆေးကုသမှု ချက်ချင်းခံယူပါ။
- သတိပြုရန်- မှန်ကန်မှုမရှိသော ဘက်ထရီအမျိုးအစားဖြင့် လဲမိပါက ပေါက်ကွဲမှုဖြစ်နိုင်ပါသည်။
- ဘက်ထရီကို ပုံစံမမှန်ဘဲ မှားယွင်းသော အမျိုးအစားတစ်ခုဖြင့် အသစ်လဲခဲ့ပါက safeguard ပျက်စီးနိုင်ပါသည် (ဥပမာအားဖြင့် အချို့သော လစ်သီယမ် ဘက်ထရီအမျိုးအစားများတွင်)။
- ဘက်ထရီကို ပေါက်ကွဲမှု ဖြစ်ပေါ်စေနိုင်သည့် မီးအတွင်းသို့၊ သို့မဟုတ် မီးဖိုအတွင်းအတွင်း၊ သို့မဟုတ် စက်ပစ္စည်းသုံး ထုခြေခြင်း၊ သို့မဟုတ် ဖြတ်တောက်ခြင်း ဖြင့် စွန့်ပစ်ပါနှင့်။
- ဘက်ထရီကို အလွန်အမင်း မြင့်မားသည့် အပူချိန်ရှိသည့် ပတ်ဝန်းကျင်တွင် မထားပါနှင့်။ ပေါက်ကွဲမှု ဖြစ်နိုင်ပါသည် သို့မဟုတ်

မီးလောင်လွယ်သည့် အရည် သို့မဟုတ် ဓာတ်ငွေ့များ ထွက်လာနိုင်သည်။

- ဤဘက်ထရီကို အလွန်နိမ့်သည့် လေဖိအားနှင့် ထိတွေ့ခြင်း မရှိစေရ။ ပေါက်ကွဲမှု ဖြစ်နိုင်သည့် သို့မဟုတ် မီးလောင်လွယ်သည့် အရည် သို့မဟုတ် ဓာတ်ငွေ့များ ထွက်လာနိုင်သည်။
- အသုံးပြုပြီး ဘက်ထရီများကို လမ်းညွှန်ချက်များနှင့်အညီ စွန့်ပစ်ပါ။
- + သည် တိုက်ရိုက်လျှပ်စီးကြောင်းနှင့် အသုံးပြုသည့် သို့မဟုတ် ထုတ်ပေးသည့် စက်၏ အဖိုစွန်းကို ခွဲခြားသတ်မှတ်ကာ - နှင့် အသုံးပြုသည့် သို့မဟုတ် တိုက်ရိုက်လျှပ်စီးထုတ်ပေးသည့် စက်၏ အမဲစွန်း(များ)ကို ခွဲခြားသတ်မှတ်သည်။
- မီးထွန်းထားသည့် ဖယောင်းတိုင်များ ကဲ့သို့သော အကာအကွယ်မရှိသည့် မီးအရင်းအမြစ်များကို ပစ္စည်းအပေါ်တွင် မထားရပါ။
- ကိရိယာ၏ စီရိယယ် ဆက်သွယ်မှုကို အမှားပြင်ရန်အတွက်သာ အသုံးပြုမည်ဆိုပါက ပညာရှင်များ သို့မဟုတ် နည်းပညာ ကျွမ်းကျင်သူများက ကိရိယာအား ထိန်းသိမ်းပြင်ဆင်ရာတွင်သာ အသုံးပြုရန် ချန်လှပ်ထားရမည်။



- စတစ်ကာ သို့မဟုတ် စက်ပစ္စည်းအတွက်၊ အောက်ပါသတိပေးချက်များကို အာရုံစိုက်ပါ- သတိပြုရန်- ပူသော အစိတ်အပိုင်းများ မထိရပါ။ ကိုင်တွယ်စဉ် လက်ချောင်းများ အပူလောင်စေနိုင်သည်။ အစိတ်အပိုင်းကို မကိုင်တွယ်မီ ခလုတ်ပိတ်ပြီး အနည်းဆုံး တစ်နာရီခွဲ စောင့်ဆိုင်းပါ။
- ဤကိရိယာကို ကလေးများရှိနိုင်သည့် နေရာမျိုးတွင် အသုံးပြုရန် မသင့်လျော်ပါ။
- ကိရိယာ တပ်ဆင်မှု လိုအပ်ပါက၊
  1. အမြန်စတင်ခြင်းလမ်းညွှန်ပါ ညွှန်ကြားချက်များအတိုင်း ကိရိယာကို တပ်ဆင်ပါ။
  2. ထိခိုက်ဒဏ်ရာ ရခြင်းမှ ကာကွယ်ရန် ဤကိရိယာကို တပ်ဆင်မှု လမ်းညွှန်ချက်များနှင့် အညီ တပ်ဆင်သည့် မျက်နှာပြင်တွင် သေချာစွာ တပ်ဆင်ပါ။
- ကိရိယာကို မတည်ငြိမ်သောနေရာတွင် ဘယ်တော့မှ မထားပါနှင့်။ ဤကိရိယာ ပြုတ်ကျ၍ အနာတရ ပြင်းထန်စွာဖြစ်စေ၊ အသက်ဆုံးရှုံးသည်အထိ ဖြစ်စေ အန္တရာယ် ဖြစ်စေနိုင်သည်။

- ကိရိယာသည် နံရံ တပ်ဆင်ခြင်း သို့မဟုတ် မျက်နှာကျက် တပ်ဆင်ခြင်း လုပ်ဆောင်နိုင်ပါက၊ တပ်ဆင်သည့် မျက်နှာပြင်သည် ကိရိယာ အလေးချိန်၏ သုံးဆ အပိုခံနိုင်ရည်ရှိရန် လိုအပ်သော်လည်း 50 N ထက် မနည်းစေရပါ။ ကိရိယာနှင့် ဆက်စပ်တပ်ဆင်မှုဆိုင်ရာ ပစ္စည်းများကို တပ်ဆင်နေစဉ်အတွင်း လုံခြုံစွာ ရှိနေစေရမည်။ တပ်ဆင်ပြီးချိန်တွင် ကိရိယာနှင့် သက်ဆိုင်ရာ ချိတ်ဆက်ပစ္စည်း အပြားများ ပျက်စီးမှု လုံးဝမရှိစေရပါ။
- သတိပြုရန်- ကျွန်ုပ်တို့ကုမ္ပဏီ၏ သီးသန့်အထိုင်ကွင်းဖြင့် တပ်ဆင်ရန် ဒီဇိုင်းထုတ်ထားပါက၊ စက်ပစ္စည်းဖြင့် ကိုက်ညီသော အထိုင်ကွင်းကိုသာ အသုံးပြုပါ။ အခြားစက်ပစ္စည်းများနှင့် အသုံးပြုပါက မတည်မငြိမ်ဖြစ်စေနိုင်ပြီး ထိခိုက်ဒဏ်ရာရစေနိုင်သည်။
- သတိပြုရန်- စက်ပစ္စည်းကို ကျွန်ုပ်တို့ကုမ္ပဏီ၏ သီးသန့်အထိုင်ကွင်းဖြင့် တပ်ဆင်ရန် လိုအပ်ပါက၊ ကိုက်ညီသော အထိုင်ကွင်းကိုသာ အသုံးပြုပါ။ အခြား (ဥပမာ တွန်းလှည်းများ၊ ထောက်များနှင့် သယ်ယူလှည်းများ) ကို အသုံးပြုပါက မတည်မငြိမ်ဖြစ်စေပြီး ထိခိုက်ဒဏ်ရာရစေနိုင်သည်။ အထိုင်ကွင်းမော်ဒယ်အသေးစိတ်အတွက် စက်၏ဒေတာစာရွက်ကို ကိုးကားပါ။
- ကိရိယာကို သင်ကိုယ်တိုင် ဝါယာ တပ်ဆင်ခြင်းလုပ်ရန် လိုအပ်ပါက ပါဝါ ဝင်ရောက်ရန်အတွက် ကိရိယာတွင် ရေးသားထားသော လျှပ်စစ်ဆိုင်ရာ ကန့်သတ်ချက်များနှင့် အညီ သက်ဆိုင်ရာ ဝါယာကြိုးများကို ရွေးချယ်ပါ။ စံချိန်မီ ဝါယာကြိုးဖြုတ်သည့် ကိရိယာများဖြင့် မှန်ကန်သော အနေအထားတွင် ဝါယာများကို ဖြုတ်ပါ။ မလိုလားအပ်သော ကြီးမားသည့် နောက်ဆက်တွဲများကို ရှောင်ရှားနိုင်ရန်၊ ဝါယာကြိုးဖြုတ်သည့် ကိရိယာ၏ အရည်သည် သင့်တင့်လျောက်ပတ်ရမည်ဖြစ်ပြီး၊ လျှပ်ကူးပစ္စည်းများကို မထိတွေ့ရပါ။
- ကိရိယာအား ဝါယာချိတ်ဆက်စဉ်၊ တပ်ဆင်စဉ် သို့မဟုတ် ပြန်ဖြုတ်နေစဉ်တွင် ပါဝါသေချာဖြုတ်ထားပါ။
- ကိရိယာမှ မီးခိုးငွေ့၊ ညှော်နံ့စသည့် အနံ့၊ ဆူညံသံများ ထွက်လာလျှင် ပါဝါ ချက်ချင်းပိတ်၊ ပါဝါကေဘယ် ဖြုတ်ပြီး ပြုပြင်ရေးစင်တာသို့ ဆက်သွယ်ပါ။

**Türkçe**

**Mevzuata Uygunluk ve Güvenlik Bilgileri**  
 Cihazı kullanmaya başlamadan önce bu belgedeki tüm bilgi ve talimatları dikkatlice okuyun ve daha sonra başvurmak üzere saklayın.  
 Cihazla ilgili daha fazla bilgi ve talimat için lütfen <https://www.hikvision.com> adresinden web sitemizi ziyaret edin. Ayrıca daha fazla bilgi edinmek için (varsa) cihazla birlikte gelen belgelere bakabilir veya (varsa) paket üzerindeki QR kodunu tarayabilirsiniz.  
**Yasal Uyarı**

YÜRÜRLÜKTE OLAN YASALARCA İZİN VERİLEN AZAMI ÖLÇÜDE BU KILAVUZ VE AYRICA DONANIMI, YAZILIMI VE AYGIT YAZILIMI İLE BİRLİKTE TARİF EDİLEN ÜRÜN "TÜM HATALAR VE ARIZALARLA BİRLİKTE" VE "OLDUĞU GİBİ" SUNULMUŞTUR. HIKVISION PAZARLANABİLİRLİK, TATMİN EDİCİ KALİTE, BELİRLİ BİR AMACA UYGUNLUK DAHİL ANCAK BUNUNLA SINIRLI OLMAMAK KAYDIYLA DOĞRUDAN VEYA DOLAYLI HERHANGİ BİR GARANTİ VERMEMEKTEDİR. ÜRÜNÜN SİZİN TARAFINIZDAN KULLANILMASIYLA İLGİLİ TÜM RİSKLER TARAFINIZA AİTTİR. HIKVISION BU TÜR HASARLARIN VEYA KAYIPLARIN OLASILIĞI

HAKKINDA BİLGİLENDİRİLMİŞ OLSA BİLE BU ÜRÜNÜN KULLANIMI İLE BAĞLANTILI OLARAK SÖZLEŞME İHLALİ, (İHMAL DÂHİL) HAKSIZ FİİL, ÜRÜN YÜKÜMLÜLÜĞÜ VEYA FARKLI BİR ŞEKİLDE ORTAYA ÇIKSIN YA DA ÇIKMASIN DİĞER HUSUSLARLA BİRLİKTE TİCARİ KÂR KAYBI, İŞ KESİNTİSİ, VERİ KAYBI, SİSTEMİN BOZULMASI, BELGE KAYBI NEDENİYLE ORTAYA ÇIKAN HASARLAR DAHİL ÖZEL, SONUÇ OLARAK ORTAYA ÇIKAN, ARIZİ VEYA DOLAYLI ZARARLAR İÇİN HİÇBİR DURUMDA SİZE KARŞI SORUMLU OLMAYACAKTIR. İNTERNETİN DOĞASININ DOĞAL GÜVENLİK RİSKLERİ BARINDIRDIĞINI KABUL EDİYORSUNUZ VE HIKVISION, SİBER SALDIRI, HACKER SALDIRISI, VİRÜS BULAŞMASI VEYA DİĞER İNTERNET GÜVENLİK RİSKLERİNDEN KAYNAKLANAN ANORMAL KULLANIM, GİZLİLİK SIZINTISI VEYA DİĞER ZARARLAR İÇİN HERHANGİ BİR SORUMLULUK KABUL ETMEZ; ANCAK, HIKVISION GEREKİRSE ZAMANINDA TEKNİK DESTEK SAĞLAYACAKTIR. BU ÜRÜNÜ YÜRÜRLÜKTEKİ TÜM YASALARA UYGUN OLARAK KULLANMAYI KABUL EDERSİNİZ VE KULLANIMINIZIN YÜRÜRLÜKTEKİ YASAYA UYGUN OLMASI SORUMLULUĞU TAMAMEN SİZE AİTTİR. ÖZELLİKLE BU ÜRÜNÜ, HERHANGİ BİR SINIRLAMA OLMASIZIN TANITIM HAKLARI, FİKRİ MÜLKİYET HAKLARI VEYA VERİ KORUMA VE DİĞER GİZLİLİK HAKLARI DAHİL OLMAK ÜZERE ÜÇÜNCÜ TARAFLARIN HAKLARINI İHLAL ETMEYECEK BİR ŞEKİLDE KULLANMAKTAN SİZ SORUMLUSUNUZ. BU ÜRÜNÜ, TOPLU İMHA SİLAHLARININ GELİŞTİRİLMESİ VEYA ÜRETİMİ, KİMYASAL YA DA BİYOLOJİK SİLAHLARIN GELİŞTİRİLMESİ VEYA ÜRETİMİ, HERHANGİ BİR NÜKLEER PATLAYICI YA DA GÜVENİLİR OLMAYAN NÜKLEER YAKIT DÖNGÜSÜ VEYA İNSAN HAKLARI İHLALLERİNİN DESTEKLENMESİ DAHİL HİÇBİR YASAĞI KULLANIM İÇİN KULLANMAYACAĞINIZ. BU KILAVUZ İLE İLGİLİ YAŞA ARASINDA HERHANGİ BİR ÇELİŞKİ OLMASI DURUMUNDA, İKİNCİSİ GEÇERLİDİR.

**Bu maddeler, yalnızca ilgili işarete veya bilgiye sahip ürünler için geçerlidir.**

#### AB Uygunluk Beyanı



Bu ürün ve (varsa) birlikte verilen aksesuarlar ayrıca "CE" ile işaretlenmiştir ve bu nedenle 2014/30/EU (EMCD) Direktifi, 2014/35/EU (LVD) Direktifi ve

2011/65/EU (RoHS) Direktifi altında listelenen geçerli uyumlaştırılmış Avrupa standartlarına uygundur.

İşbu belgeyle, Hangzhou Hikvision Digital Technology Co., Ltd. bu cihazın 2014/53/EU Direktifi ile uyumlu olduğunu beyan eder (etikete bakın).

AB uygunluk beyanının tam metnine aşağıdaki internet adresinden ulaşılabilir:

<https://www.hikvision.com/en/support/compliance/declaration-of-conformity>.

Frekans Bantları ve Güç (CE için)

Aşağıdaki radyo ekipmanı için geçerli olan frekans bantları ve iletim gücü (yayılan ve/veya iletilen) nominal sınırları aşağıdaki gibidir:

Ekipman Modeli	Frekans Bantları ve Güç
DS-2XS*W*	Wi-Fi 2,4 GHz (2,4 ila 2,4834 GHz): 20 dBm

Beraberinde güç adaptörü verilmeyen cihaz için, kalifiye bir üretici tarafından sağlanan güç adaptörünü kullanın. Ayrıntılı güç gereksinimleri için ürün teknik özelliklerine bakın.

Ürünle birlikte verilen pili olmayan cihaz için kalifiye bir üretici tarafından sağlanan pili kullanın. Ayrıntılı pil gereksinimleri için ürün teknik özelliklerine bakın.



2012/19/EU Direktifi (WEEE Direktifi): Bu sembole sahip ürünler, Avrupa Birliği'nde ayrıştırılmamış belediye atığı olarak imha edilemez. Doğru bir geri dönüşüm için eşdeğer yeni bir ekipman aldıktan sonra

bu ürünü yerel tedarikçinize iade edin veya belirlenmiş toplama noktalarına gönderin. Daha fazla bilgi için bkz:

[www.recyclethis.info](http://www.recyclethis.info).



2006/66/EC Direktifi ve değişiklik 2013/56/EU (Batarya Direktifi): Bu ürün, Avrupa Birliği'nde ayrıştırılmamış belediye atığı olarak imha edilemeyen bir pil içermektedir. Pile özel bilgi edinmek için ürün

belgelerine bakın. Pil, kadmiyum (Cd), kurşun (Pb) veya cıva (Hg) elementlerini gösteren harflerin de yer alabildiği bu sembole işaretlenmiştir. Doğru bir geri dönüşüm için pili tedarikçinize veya belirlenmiş toplama noktasına geri götürün. Daha fazla bilgi için bkz: [www.recyclethis.info](http://www.recyclethis.info).

#### Güvenlik Bilgileri

Ekipmanı kullanmaya başlamadan önce lütfen tüm güvenlik bilgilerini okuyun.

- Ürünü kullanırken ülkenin ve bölgenin elektrik güvenliği yönetmeliklerine tam olarak uymanız gerekir.
- Dağ tepesi, demir kule ve orman gibi özel koşullarda ekipmanın giriş açıklığında aşırı gerilim koruyucu sağlayın.
- Sadece elektrik fişi ve priz ile açılıp kapatılan cihaz için priz, cihaz yakınına takılmalı ve kolayca ulaşılabilir olmalıdır.
- Cihaz kapatıldıktan sonra da elektrik olabileceğinden, çıplak bileşenlere (girişlerin metal temas noktaları gibi) dokunmayın ve en az 5 dakika bekleyin.
- Pili yutmayın. Kimyasal yanık tehlikesi mevcuttur!
- Bu ürün düğme pil içerir. Düğme pil yutulursa, yalnızca 2 saat içinde ciddi iç yanıklara ve ölüme neden olabilir.
- Yeni ve kullanılmış pilleri çocuklardan uzak tutun.
- Pil bölmesi güvenli bir şekilde kapanmıyorsa ürünü kullanmayı bırakın ve çocuklardan uzak tutun.
- Pillerin yutulmuş veya vücudun herhangi bir yerine yerleştirilmiş olabileceğini düşünüyorsanız derhal tıbbi yardım alın.
- DİKKAT: Pil yanlış bir türle değiştirildiğinde patlama riski.
- Pilin yanlış türde bir pille uygun olmayan şekilde değiştirilmesi korumayı geçersiz hâle getirebilir (örneğin, bazı lityum pil türleri).
- Pili ateşe veya sıcak fırına atmayın veya pili mekanik olarak patlayabilecek şekilde ezmeyin veya kesmeyin.
- Pili, patlamaya veya yanıcı sıvı veya gaz sızıntısına neden olabilecek aşırı yüksek sıcaklıktaki bir ortamda bırakmayın.
- Pili, patlamaya veya yanıcı sıvı veya gaz sızıntısına neden olabilecek aşırı düşük hava basıncına maruz bırakmayın.
- Bitmiş pilleri talimatlara göre atın.
- +, doğru akım üreten veya birlikte kullanılan cihazın artı ucunu ve -, doğru akım üreten veya birlikte kullanılan cihazın eksi ucunu belirtir.
- Cihazın üzerine yanan mum gibi açık alev kaynakları konulmamalıdır.
- Cihazın seri bağlantı noktası sadece hata ayıklama için kullanılıyorsa cihaz bakımı için uzmanlara veya teknik destek ekibine ayrılmıştır.



- veya çıkarmasına sahip cihaz için aşağıdaki uyarılara dikkat edin:  
DİKKAT: Sıcak parçalar! Dokunmayın. Parçaları tutduğunuzda parmaklarınız yanabilir. Kapattıktan sonra parçaları tutmadan önce bir buçuk saat bekleyin.
- Bu ekipman çocukların olma ihtimalinin bulunduğu yerlerde kullanım için uygun değildir.
- Cihazın kurulması gerekiyorsa,
  1. Cihazı, Hızlı Başlangıç Kılavuzundaki talimatlara göre kurun.
  2. Bu cihaz yaralanmayı önlemek için, kurulum talimatlarına uygun olarak kurulum yüzeyine güvenli bir şekilde bağlanmalıdır.
- Cihazı HİÇBİR ZAMAN sağlam olmayan bir yere yerleştirmeyin. Cihaz düşebilir ve ciddi fiziksel yaralanmalara veya ölüme neden olabilir.
- Cihaz duvara montajı veya tavana montajı destekliyorsa, montaj yüzeyi, cihazın ağırlığının üç katı kadar ancak 50 N'den az olmayan ek kuvvete dayanabilmelidir. Cihaz ve ilgili montaj

- araçları, kurulum sırasında güvenli kalmalıdır. Kurulumdan sonra, ilgili montaj plakası da dahil, cihaz hasar görmemelidir.
- DİKKAT: Braketin, şirketimize ait belirli bir cihaz modeli için tasarlanması halinde, braketi yalnızca ilgili cihazla kullanın. Başka cihazlarla kullanılması, dengenin bozulmasına ve yaralanmaya yol açabilir.
- DİKKAT: Cihazın, şirketimize ait belirli bir braketle monte edilmesi gerekiyorsa bu durumda yalnızca ilgili braketi kullanın. Diğer braketlerin (ör. el arabası, stant ve taşıyıcı) kullanılması, dengesizliğe yol açıp yaralanmaya neden olabilir. Braket modeli ayrıntıları için cihaz veri sayfasına bakın.
- Cihazın kablo bağlantısını sizin yapmanız gerekiyorsa, cihaz üzerinde etiketlenmiş elektrik parametrelerine göre güç sağlamak için ilgili kabloyu seçin. İlgili pozisyonda standart bir kablo sıyırıcı ile kabloyu sıyırın. Ciddi sonuçlardan kaçınmak için soyulmuş telin uzunluğu uygun olmalı ve iletkenler açıkta kalmamalıdır.
- Cihazı bağlamadan, kurmadan veya sökmeden önce gücün kesildiğinden emin olun.
- Cihazdan duman, koku veya ses geliyorsa hemen gücü kapatarak güç kablosunun bağlantısını kesin ve servis merkeziyle iletişime geçin.

## Русский

### Соответствие нормативным требованиям и инструкции по технике безопасности

Перед использованием устройства внимательно прочтите всю информацию и указания, содержащиеся в данном документе, и сохраните его для дальнейшего использования.

Для получения дополнительных инструкций или информации об устройстве, посетите наш сайт <https://www.hikvision.com>. Для получения дополнительной информации вы также можете обратиться к другим прилагаемым к устройству документам (при их наличии) или отсканировать QR-код на упаковке (при его наличии).

### Ограничение ответственности

В МАКСИМАЛЬНОЙ СТЕПЕНИ, РАЗРЕШЕННОЙ ДЕЙСТВУЮЩИМ ЗАКОНОДАТЕЛЬСТВОМ, ДАННОЕ РУКОВОДСТВО И ОПИСАНИЕ ИЗДЕЛИЯ ВМЕСТЕ С АППАРАТНОЙ ЧАСТЬЮ, ПРОГРАММНЫМ ОБЕСПЕЧЕНИЕМ И ВСТРОЕННОЙ МИКРОПРОГРАММОЙ ПРЕДОСТАВЛЯЮТСЯ ПО ПРИНЦИПУ «КАК ЕСТЬ» И «СО ВСЕМИ НЕПОЛАДКАМИ И ОШИБКАМИ». КОМПАНИЯ HIKVISION НЕ ДАЕТ НИ ЯВНЫХ, НИ ПОДРАЗУМЕВАЕМЫХ ГАРАНТИЙ, В ТОМ ЧИСЛЕ ГАРАНТИЙ ТОВАРНОЙ ПРИГОДНОСТИ И УДОВЛЕТВОРИТЕЛЬНОГО КАЧЕСТВА, КАК И ПРИГОДНОСТИ ДЛЯ КОНКРЕТНЫХ ЦЕЛЕЙ. ПОТРЕБИТЕЛЬ ИСПОЛЬЗУЕТ ИЗДЕЛИЕ НА СВОЙ СТРАХ И РИСК. НИ ПРИ КАКИХ ОБСТОЯТЕЛЬСТВАХ КОМПАНИЯ HIKVISION НЕ НЕСЕТ ОТВЕТСТВЕННОСТИ ПЕРЕД ПОТРЕБИТЕЛЕМ НИ ЗА ФАКТИЧЕСКИ ПОНЕСЕННЫЙ, НИ ЗА ПОСЛЕДУЮЩИЙ, КАК ПРЯМОЙ, ТАК И КОСВЕННЫЙ, УЩЕРБ, ВКЛЮЧАЯ УБЫТКИ В ВИДЕ УПУЩЕННОЙ ПРИБЫЛИ, ПЕРЕРЫВОВ В ДЕЯТЕЛЬНОСТИ, ПОТЕРИ ДАННЫХ, ДОКУМЕНТАЦИИ ИЛИ ПОВРЕЖДЕНИЯ СИСТЕМ, БУДЬ ТО ПО ПРИЧИНЕ НАРУШЕНИЯ ДОГОВОРА, ПРОТИВОПРАВНЫХ ДЕЙСТВИЙ (В ТОМ ЧИСЛЕ ХАЛАТНОСТИ), НАСТУПЛЕНИЯ ОТВЕТСТВЕННОСТИ ЗА ИЗДЕЛИЕ ИЛИ ИНЫХ ОБСТОЯТЕЛЬСТВ В СВЯЗИ С ИСПОЛЬЗОВАНИЕМ ДАННОГО ИЗДЕЛИЯ, ДАЖЕ ЕСЛИ КОМПАНИИ HIKVISION БЫЛО ИЗВЕСТНО О ВОЗМОЖНОСТИ ТАКОГО УЩЕРБА И УБЫТКОВ.

ПОТРЕБИТЕЛЬ ОСОЗНАЕТ, ЧТО ИНТЕРНЕТ ПО СВОЕЙ ПРИРОДЕ ЯВЛЯЕТСЯ ИСТОЧНИКОМ ПОВЫШЕННОГО РИСКА БЕЗОПАСНОСТИ, И КОМПАНИЯ HIKVISION НЕ НЕСЕТ ОТВЕТСТВЕННОСТИ ЗА СВОИ В РАБОТЕ ОБОРУДОВАНИЯ, УТЕЧКУ ИНФОРМАЦИИ И ДРУГОЙ УЩЕРБ, ВЫЗВАННЫЙ КИБЕРАТАКАМИ, ХАКЕРАМИ, ВИРУСАМИ ИЛИ СЕТЕВЫМИ УГРОЗАМИ; ОДНАКО HIKVISION ОБЕСПЕЧИВАЕТ СВОЕВРЕМЕННУЮ ТЕХНИЧЕСКУЮ ПОДДЕРЖКУ, ЕСЛИ ЭТО НЕОБХОДИМО.

ПОТРЕБИТЕЛЬ СОГЛАШАЕТСЯ ИСПОЛЬЗОВАТЬ ДАННОЕ ИЗДЕЛИЕ В СООТВЕТСТВИИ СО ВСЕМИ ПРИМЕНИМЫМИ ЗАКОНАМИ И НЕСЕТ ЛИЧНУЮ ОТВЕТСТВЕННОСТЬ ЗА ИХ СОБЛЮДЕНИЕ. В ЧАСТНОСТИ, ПОТРЕБИТЕЛЬ НЕСЕТ ОТВЕТСТВЕННОСТЬ ЗА ИСПОЛЬЗОВАНИЕ ДАННОГО ИЗДЕЛИЯ БЕЗ НАРУШЕНИЯ ПРАВ ТРЕТЬИХ ЛИЦ, В ТОМ ЧИСЛЕ ПРАВ НА ПУБЛИЧНОСТЬ, ИНТЕЛЛЕКТУАЛЬНУЮ СОБСТВЕННОСТЬ И ЗАЩИТУ ДАННЫХ И ДРУГИХ ПРАВ НА СОХРАНЕНИЕ КОНФИДЕНЦИАЛЬНОСТИ. ПОТРЕБИТЕЛЬ ОБЯЗУЕТСЯ НЕ ИСПОЛЬЗОВАТЬ ЭТО ИЗДЕЛИЕ В ЗАПРЕЩЕННЫХ ЦЕЛЯХ, В ТОМ ЧИСЛЕ ДЛЯ РАЗРАБОТКИ ИЛИ ПРОИЗВОДСТВА ОРУЖИЯ МАССОВОГО УНИЧТОЖЕНИЯ, ХИМИЧЕСКОГО ИЛИ БИОЛОГИЧЕСКОГО ОРУЖИЯ, ОСУЩЕСТВЛЕНИЯ КАКОЙ-ЛИБО ДЕЯТЕЛЬНОСТИ В КОНТЕКСТЕ ЯДЕРНОГО ОРУЖИЯ, НЕБЕЗОПАСНЫХ ОПЕРАЦИЙ С ЯДЕРНЫМ ТОПЛИВОМ ИЛИ ДЛЯ ПОДДЕРЖКИ НАРУШЕНИЙ ПРАВ ЧЕЛОВЕКА. В СЛУЧАЕ РАЗНОЧТЕНИЙ МЕЖДУ НАСТОЯЩИМ РУКОВОДСТВОМ И ДЕЙСТВУЮЩИМ ЗАКОНОДАТЕЛЬСТВОМ ПРИОРИТЕТ ИМЕЕТ ПОСЛЕДНЕЕ.

---

Данные положения применяются только в том случае, если изделие снабжено соответствующей отметкой или информацией.

---

## Декларация соответствия EU



Настоящее изделие и аксессуары, входящие в комплект его поставки, отмечены символом «CE», который обозначает их соответствие

согласованным Европейским стандартам, перечисленным в Директивах 2014/30/EU (EMCD), 2014/35/EU (LVD) и 2011/65/EU (RoHS).

Настоящим компания Hangzhou Hikvision Digital Technology Co., Ltd. заявляет, что данное изделие (см. этикетку) соответствует Директиве 2014/53/EU.

Полный текст декларации соответствия EU опубликован в Интернете по адресу:

<https://www.hikvision.com/en/support/compliance/declaration-of-conformity>.

Частотные диапазоны и мощность (для CE)

Ниже приведены частотные диапазоны и номинальные пределы мощности передачи (излучаемой и/или проводимой) для следующего радиооборудования:

Модель оборудования	Частотные диапазоны и мощность
DS-2XS*W*	Wi-Fi 2,4 ГГц (2,4–2,4834 ГГц): 20 дБм

Если устройство не укомплектовано адаптером питания, используйте адаптер питания разрешенного изготовителя. Требования по электропитанию подробно описаны в технических характеристиках изделия.

Если устройство не укомплектовано батареей, используйте батарею разрешенного изготовителя. Требования к батарее подробно описаны в технических характеристиках изделия.



Директива WEEE 2012/19/EU (Директива об утилизации отходов электрического и электронного оборудования): изделия, отмеченные этим символом, запрещено утилизировать в

Европейском союзе в качестве несортированных бытовых отходов. Для надлежащей переработки возвратите это изделие местному поставщику после покупки эквивалентного нового оборудования или утилизируйте его в предназначенных для этого пунктах сбора отходов. Для получения дополнительной информации посетите веб-сайт: [www.recyclethis.info](http://www.recyclethis.info).



Директива 2006/66/EC и поправка к ней 2013/56/EU (сведения о батарее): это изделие содержит батарею, которую запрещено утилизировать в Европейском союзе в качестве несортированных бытовых отходов. Для получения конкретной информации о батарее см. документацию к изделию. Маркировка батареи может включать в себя символы, которые обозначают ее химический состав: кадмий (Cd), свинец (Pb) или ртуть (Hg).

Для надлежащей утилизации отправьте батарею местному поставщику или утилизируйте ее в специальных пунктах приема отходов. Для получения дополнительной информации посетите веб-сайт: [www.recyclethis.info](http://www.recyclethis.info).


## Инструкции по технике безопасности

Перед использованием внимательно ознакомьтесь с информацией по технике безопасности.

- Эксплуатация данного изделия должна выполняться в строгом соответствии с правилами безопасной эксплуатации электрооборудования, действующими в вашей стране и вашем регионе.

- В особых условиях, таких как горные вершины, железные башни и лесные массивы, установите ограничитель перенапряжения на входе устройства.
- Если включение и выключение устройства осуществляются только с помощью вилки и розетки, розетка должна быть легкодоступна и располагаться рядом с устройством.
- Не прикасайтесь к неизолированным компонентам (таким как металлические входные контакты) и подождите не менее 5 минут после выключения устройства, пока не разрядятся все электрические конденсаторы.
- Не проглатывайте батарею. Опасность химического ожога!
- Устройство содержит плоскую круглую батарею. Если вы случайно проглотите эту батарею, это может вызвать серьезные ожоги внутренних органов и даже привести к летальному исходу через 2 часа.
- Храните новые и использованные батареи вдали от детей.
- Если отсек для батареи не закрывается достаточно плотно, прекратите эксплуатацию изделия и ограничьте доступ детей к нему.
- Если вы думаете, что батарея была проглочена или каким-либо другим образом попала в организм, немедленно обратитесь к врачу.
- **ОСТОРОЖНО!** При установке батареи недопустимого типа существует риск взрыва.
- Установка батареи недопустимого типа может создать угрозу для безопасности (например, в случае некоторых типов литиевых батарей).
- Не бросайте батарею в огонь или горячую печь, не сдавливайте и не разрезайте батарею, поскольку это может привести к взрыву.
- Нахождение батареи в среде с чрезвычайно высокой температурой может привести к взрыву или к утечке горючей жидкости или газа.
- Нахождение батареи в среде с чрезвычайно низким давлением воздуха может привести к взрыву или к утечке горючей жидкости или газа.
- Утилизируйте использованные батареи в соответствии с инструкциями.
- На тех устройствах, которые потребляют постоянный ток или генерируют его, знак «+» обозначает положительные клеммы, а знак «-» обозначает отрицательные клеммы.
- Не ставьте на устройство источники открытого огня, например горящие свечи.
- Если последовательный порт устройства используется только для отладки, он зарезервирован исключительно для технической поддержки или обслуживания специалистами.



- Для устройства с наклейкой  или обращайтесь внимание на следующие меры предосторожности. **ОСТОРОЖНО! Горячие детали!** Не прикасайтесь. Опасность ожога пальцев при обращении с деталями. Перед прикосновением к деталям устройства подождите полчаса после его выключения.
- Данное устройство не предназначено для использования в тех местах, где могут находиться дети.
- Если требуется выполнить установку устройства, соблюдайте следующие правила:

1. Установите устройство в соответствии с инструкциями, приведенными в руководстве по быстрому запуску.
  2. Во избежание травм устройство необходимо надежно закрепить на монтажной поверхности согласно инструкциям по установке.
- Никогда не ставьте устройство на неустойчивую поверхность. Падение устройства на человека может стать причиной серьезных травм или смерти.
  - Если устройство устанавливается на стене или потолке, монтажная поверхность должна выдерживать дополнительную нагрузку, в три раза превышающую вес устройства, но не менее 50 Н. Устройство и средства его крепления должны быть надежно закреплены во время установки. После установки осмотрите устройство и монтажную пластину на предмет повреждений.
  - **ОСТОРОЖНО!** Если кронштейн предназначен для конкретной модели устройства нашей компании, используйте его только с соответствующим устройством. Использование с другими устройствами может привести к травмам в результате неустойчивости устройства.
  - **ОСТОРОЖНО!** Если для установки устройства требуется специальный кронштейн нашей компании, используйте

только соответствующий кронштейн. Использование другого оборудования (тележек, подставок или держателей) может привести к травмам в результате неустойчивости устройства. Подробную информацию о модели кронштейна см. в технических характеристиках устройства.

- Если вы хотите подключить устройство самостоятельно, выберите соответствующий кабель для подачи питания в соответствии с электрическими параметрами, указанными на паспортной табличке устройства. Снимите изоляцию в соответствующем месте с помощью стандартного инструмента для зачистки проводов. Во избежание негативных последствий длина оголенных проводов не должна быть чрезмерной, чтобы провода не замыкались и не подвергались воздействию окружающей среды.
- Прежде чем подключать кабели, устанавливать или разбирать устройство, убедитесь, что питание отключено.
- При появлении дыма, необычного запаха или шума немедленно отключите питание устройства, извлеките вилку кабеля питания из розетки и обратитесь в сервисный центр.

## Українська

### Відповідність нормативним вимогам та інформація щодо техніки безпеки

Прочитайте всю інформацію й указівки, що містяться в цьому документі, та збережіть його для подальшого використання. Для отримання більш детальної інформації про пристрій і вказівок щодо його використання відвідайте наш вебсайт: <https://www.hikvision.com>. Крім того, щоб отримати більш детальну інформацію, ви можете звернутися до інших документів (якщо є), які постачаються разом із пристроєм, або відсканувати QR-код (якщо є) на упаковці.

#### Обмеження відповідальності

В МАКСИМАЛЬНИХ МЕЖАХ, ДОЗВОЛЕНИХ ЗАСТОСОВУВАНИМ ЗАКОНОМ, ЦЕ КЕРІВНИЦТВО ТА ОПИСАНИЙ ВИРІБ, З ЙОГО АПАРАТНИМ, ПРОГРАМНИМ ТА МІКРОПРОГРАМНИМ ЗАБЕЗПЕЧЕННЯМ, НАДАЮТЬСЯ «ЯК Є» ТА «ЗІ ВСІМА НЕДОЛІКАМИ ТА ПОМИЛКАМИ». HIKVISION НЕ НАДАЄ ЖОДНИХ ГАРАНТІЙ, ЯВНИХ АБО ОЧІКУВАНИХ, ВКЛЮЧАЮЧИ, БЕЗ ОБМЕЖЕНЬ, КОМЕРЦІЙНІ ЯКОСТІ, ЗАДОВІЛЬНУ ЯКІСТЬ АБО ПРИДАТНІСТЬ ДЛЯ ХАРАКТЕРНОЇ МЕТИ. ВИКОРИСТАННЯ ВИРОБУ ВІДБУВАЄТЬСЯ НА ВАШ ВЛАСНИЙ РИЗИК. КОМПАНІЯ HIKVISION НІ В ЯКОМУ РАЗІ НЕ НЕСЕ ВІДПОВІДАЛЬНОСТІ ПЕРЕД ВАМИ ЗА БУДЬ-ЯКІ СПЕЦІАЛЬНІ, ЛОГІЧНО ВИТІКАЮЧІ, ВИПАДКОВІ АБО НЕПРЯМІ ЗБИТКИ, ВКЛЮЧАЮЧИ, КРІМ ІНШОГО, ПОШКОДЖЕННЯ, ЩО ВЕДУТЬ ДО ВТРАТИ КОМЕРЦІЙНОГО ПРИБУТКУ, ПЕРЕРИВАННЯ ДІЛОВОЇ АКТИВНОСТІ АБО ВТРАТИ ДАНИХ, ПСУВАННЯ СИСТЕМ АБО ВТРАТИ ДОКУМЕНТАЦІЇ, НЕВАЖЛИВО, ЧИ ВНАСЛІДОК ПОРУШЕННЯ КОНТРАКТУ, ЦИВІЛЬНОГО ПРАВОПОРУШЕННЯ (ВКЛЮЧАЮЧИ НЕДБАЛИСТЬ), ВІДПОВІДАЛЬНОСТІ ЗА ВИРІБ, АБО ІНШИМ ЧИНОМ, ПОВ'ЯЗАНИХ З ВИКОРИСТАННЯМ ВИРОБУ, НАВІТЬ ЯКЩО КОМПАНІЯ HIKVISION ПОВІДОМЛЯЛА ПРО МОЖЛИВІСТЬ ТАКИХ ЗБИТКІВ АБО ВТРАТ. ВИ УСВІДОМЛЮЄТЕ, ЩО ПРИРОДА ІНТЕРНЕТУ НЕСЕ ПРИТАМАННІ РИЗИКИ ДЛЯ БЕЗПЕКИ, І КОМПАНІЯ HIKVISION НЕ БЕРЕ НА СЕБЕ НІЯКОЇ ВІДПОВІДАЛЬНОСТІ ЗА НЕНОРМАЛЬНУ

РОБОТУ, ВТРАТУ КОНФІДЕНЦІЙНОСТІ АБО ІНШІ ЗБИТКИ В РЕЗУЛЬТАТІ КІБЕР-АТАК, ХАКЕРСЬКИХ АТАК, ЗАРАЖЕНЬ ВІРУСАМИ АБО ІНШИХ РИЗИКІВ ДЛЯ БЕЗПЕКИ В ІНТЕРНЕТІ, ОДНАК, КОМПАНІЯ HIKVISION В РАЗІ НЕОБХІДНОСТІ НАДАЄТЬ СВОЄЧАСНУ ТЕХНІЧНУ ПІДТРИМКУ. ВИ ПОГОДЖУЄТЕСЯ ВИКОРИСТОВУВАТИ ЦЕЙ ВИРІБ У ВІДПОВІДНОСТІ ДО ВСІХ ЗАСТОСОВУВАНИХ ЗАКОНІВ, І ВИ НЕСЕТЕ ОДНООСІБНУ ВІДПОВІДАЛЬНІСТЬ ЗА ЗАБЕЗПЕЧЕННЯ ВИКОРИСТАННЯ ВИРОБУ ВІДПОВІДНО ДО ЗАСТОСОВУВАНОВОГО ЗАКОНУ. ЗОКРЕМА, ВИ НЕСЕТЕ ВІДПОВІДАЛЬНІСТЬ ЗА ВИКОРИСТАННЯ ЦЬОГО ВИРОБУ СПОСОБОМ, ЯКИЙ НЕ ПОРУШУЄ ПРАВА ТРЕТІХ СТОРІН, ВКЛЮЧАЮЧИ, БЕЗ ОБМЕЖЕНЬ, ПРАВА РОЗГОЛОШЕННЯ, ПРАВА ІНТЕЛЕКТУАЛЬНОЇ ВЛАСНОСТІ ТА ІНШІ ПРАВА ЩОДО КОНФІДЕНЦІЙНОСТІ. ВИ НЕ ПОВИННІ ВИКОРИСТОВУВАТИ ЦЕЙ ВИРІБ ДЛЯ БУДЬ-ЯКОГО ЗАБОРОНЕНОГО КІНЦЕВОГО ПРИЗНАЧЕННЯ, ВКЛЮЧАЮЧИ РОЗРОБКУ ЧИ ВИРОБНИЦТВО ЗБРОЇ МАСОВОГО ЗНИЩЕННЯ, РОЗРОБКУ ЧИ ВИРОБНИЦТВО ХІМІЧНОЇ АБО БІОЛОГІЧНОЇ ЗБРОЇ, БУДЬ-ЯКІ ДІЇ В КОНТЕКСТІ, ПОВ'ЯЗАНОМУ З ЯДЕРНОЮ ВИБУХОВОЮ РЕЧОВИНОЮ АБО НЕБЕЗПЕЧНИМ ЯДЕРНИМ ПАЛИВНИМ ЦИКЛОМ, АБО НА ПІДТРИМКУ ПОРУШЕНЬ ПРАВ ЛЮДИНИ. У РАЗІ БУДЬ-ЯКИХ ПРОТИРІЧ МІЖ ЦИМ КЕРІВНИЦТВОМ ТА ЗАСТОСОВУВАНИМ ЗАКОНОМ, ОСТАННІЙ МАЄ ПЕРЕВАГУ.

**Ці положення застосовуються лише до продуктів, які мають відповідний знак або інформацію.**

#### Декларація відповідності нормативним вимогам ЄС



Цей виріб й аксесуари до нього (якщо є в комплекті) мають маркування «CE», а тому відповідають чинним гармонізованим європейським стандартам, переліченим у Директиві з електромагнітної сумісності (EMCD) 2014/30/ЄС, Директиві з

низьковольтного електрообладнання (LVD) 2014/35/ЄС і Директиві щодо обмеження використання шкідливих речовин (RoHS) 2011/65/ЄС.

Цим Hangzhou Hikvision Digital Technology Co., Ltd. заявляє, що цей пристрій (див. етикетку) відповідає вимогам Директиви 2014/53/ЄС.

Повний текст декларації про відповідність нормативним вимогам ЄС можна знайти за адресою:

<https://www.hikvision.com/en/support/compliance/declaration-of-conformity>.

Смути частот і потужність (для CE)

Смути частот і номінальні обмеження передаваної потужності (випромінюваної та/або прохідної), застосовні до цього радіопристрою, наведені нижче:

Модель пристрою	Смути частот і потужність
DS-2XS*W*	Wi-Fi 2,4 ГГц (2,4–2,4834 ГГц): 20 дБм

Якщо пристрій постачається без блока живлення, використовуйте блок живлення сертифікованого виробника. Детальні вимоги щодо живлення див. у характеристиках виробу.

Якщо пристрій постачається без батарей, використовуйте батареї сертифікованого виробника. Детальні вимоги щодо батарей див. у характеристиках виробу.



Директива з утилізації електричного й електронного обладнання (WEEE) 2012/19/ЄС: Вироби, помічені цим символом, не можна утилізувати у Європейському Союзі як несортвані побутові відходи.

Щоб забезпечити правильну переробку цього виробу, поверніть його місцевому постачальнику під час придбання аналогічного нового обладнання, або здайте його до спеціально призначеного пункту збирання відходів. Більше інформації див. на сайті: [www.recyclethis.info](http://www.recyclethis.info).



Директива 2006/66/ЄС із поправками 2013/56/ЄС (директива щодо акумуляторів): Цей виріб містить батарею, яку не можна утилізувати в Європейському Союзі як несортвані побутові відходи.

Інформацію щодо батареї див. у документації до виробу. Батарея помічена цим символом, який може включати букви, що вказують на наявність кадмію (Cd), свинцю (Pb) або ртуті (Hg). Щоб забезпечити правильну переробку батареї, поверніть її постачальнику або здайте до спеціалізованого пункту збирання відходів. Більше інформації див. на сайті: [www.recyclethis.info](http://www.recyclethis.info).

### Інформація щодо техніки безпеки


Перш ніж використовувати пристрій, прочитайте всю інформацію щодо техніки безпеки.

- Під час експлуатації виробу суворо дотримуйтеся державних і місцевих правил електричної безпеки.
- Якщо пристрій експлуатується в особливих умовах, як от на вершині гори, залізної башти чи в лісі, встановіть на вході обмежувач напруги.
- Якщо пристрій вмикається та вимикається лише за допомогою вилки та розетки, то розетка має бути встановлена поблизу пристрою та повинна бути легкодоступною.
- Не торкайтесь оголених компонентів (таких як металеві контакти вхідних роз'ємів) і зачекайте щонайменше

5 хвилин після вимкнення пристрою, оскільки ці компоненти все ще можуть знаходитися під напругою.

- Не ковтайте батарею. Небезпека хімічних опіків!
- У цьому виробі встановлена батарейка-таблетка. Якщо проковтнути батарейку-таблетку, це може викликати серйозні внутрішні опіки всього за 2 години й навіть призвести до смерті.
- Тримайте нові й використані батарейки у недоступному для дітей місці.
- Якщо відсік для батарейки не закривається належним чином, припиніть користуватися виробом і покладіть його в недоступне для дітей місце.
- Якщо існує вірогідність того, що батарейку проковтнули або вона знаходиться всередині тіла людини, негайно зверніться по медичну допомогу.
- ОБЕРЕЖНО: Встановлення батареї невідповідного типу може призвести до вибуху.
- Встановлення батареї невідповідного типу може призвести до порушення системи захисту (зокрема, у разі використання літєвих батарей деяких типів).
- Не кидайте батарею у вогонь або в гарячу піч, не розбивайте та не розрізуйте її. Це може призвести до вибуху.
- Не залишайте батарею в місцях із дуже високою температурою. Це може призвести до вибуху або витoku вогнєнебезпечної рідини або газу.
- Не залишайте батарею в місцях із дуже низьким атмосферним тиском. Це може призвести до вибуху або витoku вогнєнебезпечної рідини або газу.
- Утилізуйте використані батареї згідно з інструкціями.
- «+» позначає позитивні клеми пристрою, що використовує чи генерує постійний струм, «-» позначає негативні клеми пристрою, що використовує чи генерує постійний струм.
- Забороняється розміщувати на пристрої джерела відкритого вогню, як-от свічки, які горять.
- Якщо послідовний порт пристрою призначений лише для налагодження, підключення до нього можуть здійснювати лише фахівці або спеціалісти технічної підтримки з метою обслуговування пристрою.



- Для пристрою з наклейкою  або  зверніть увагу на наступні застереження: ОБЕРЕЖНО: Гарячі деталі! Не торкайтесь. Будьте обережні, щоб не обпекти пальці о деталі. Після вимикання живлення зачекайте півгодини, перш ніж працювати з цими деталями.
- Це обладнання не підходить для використання в місцях, де можуть перебувати діти.
- Якщо потрібне встановлення пристрою:
  1. Установлюйте пристрій відповідно до вказівок у короткому керівництві щодо початку роботи.
  2. Щоб уникнути травм, цей пристрій слід надійно закріпити на монтажній поверхні відповідно до вказівок щодо встановлення.
- У жодному разі не розміщуйте пристрій на хиткій поверхні. Пристрій може впасти, що може призвести до серйозної травми або смерті.
- Якщо пристрій дозволяється встановлювати на стіну або стелю, монтажна поверхня повинна витримувати додаткову



силу, яка втричі перевищує вагу пристрою й становить не менше 50 Н. Пристрій і пов'язані з ним елементи кріплення повинні бути надійно закріплені під час установа. Після встановлення уникайте пошкодження пристрою, включаючи будь-які пов'язані з ним монтажні пластини.

- **ОБЕРЕЖНО:** Якщо кронштейн призначений для певної моделі пристрою, що виробляється нашою компанією, використовуйте кронштейн тільки з відповідним пристроєм. Використання кронштейна з іншими пристроями може призвести до нестійкості пристроїв і травмування.
- **ОБЕРЕЖНО:** Якщо пристрій установається за допомогою певного кронштейна, що виробляється нашою компанією, використовуйте тільки відповідний кронштейн. Використання чогось іншого (як-от візків, стійок або кріплень) може призвести до нестійкості пристрою й до

травмування. Відомості щодо моделі кронштейна див. у технічному паспорті пристрою.

- Якщо вам потрібно самостійно під'єднати пристрій, вибирайте належний провід для подачі живлення відповідно до електричних характеристик, зазначених на пристрої. За допомогою стандартного пристрою для зняття ізоляції видаліть ізоляцію з частини проводу відповідної довжини. Щоб уникнути тяжких наслідків, довжина оголеного проводу повинна бути належною, а контакт з оголеними проводами повинен бути виключений.
- Перш ніж під'єднувати, встановлювати або розбирати пристрій, переконайтеся, що живлення від'єднано.
- Якщо пристрій випускає дим, запах або видає шум, негайно вимкніть живлення, від'єднайте кабель живлення та зверніться в сервісний центр.

## العربية

بموجب هذا، تعلن شركة Hangzhou Hikvision Digital Technology Co., Ltd. أن هذا الجهاز (راجع الملصق) متوافق مع التوجيه 2014/53/EU. يتوفر النص الكامل لإعلان المطابقة للاتحاد الأوروبي على الإنترنت على العنوان التالي:

<https://www.hikvision.com/en/support/compliance/declaration-of-comformity>.

نطاقات التردد والطاقة (L-CE)  
نطاقات التردد وقدرة الإرسال (المشعة و/أو الموصلة) هي الحدود الاسمية المطبقة على معدات الراديو التالية على النحو التالي:

نطاقات التردد والطاقة	طراز الأجهزة
2.4 GHz Wi-Fi (2.4 جيجاهرتز - 2.4834 جيجاهرتز): dBm 20	DS-2XS*W*

بالنسبة للجهاز الذي لا يحتوي على محول طاقة مزود، استخدم محول الطاقة الذي توفره جهة تصنيع مؤهلة. راجع مواصفات المنتج للحصول على متطلبات الطاقة التفصيلية. بالنسبة للجهاز الذي لا يحتوي على بطارية مزودة، استخدم البطارية التي توفرها جهة تصنيع مؤهلة. راجع مواصفات المنتج للحصول على متطلبات البطارية التفصيلية. التوجيه 2012/19/EU (توجيه نفايات الأجهزة الكهربائية والإلكترونية (WEEE)): لا يمكن التخلص من المنتجات التي تحمل هذا الرمز بوصفها نفايات بلدية غير مصنفة في الاتحاد الأوروبي. ولتحقيق إعادة التدوير بطريقة سليمة، أعد هذا المنتج إلى المورد المحلي الذي تتعامل معه عند شراء جهاز جديد مماثل أو تخلص منه في نقاط التجميع المحددة. للحصول على مزيد من المعلومات، راجع: [www.recyclethis.info](http://www.recyclethis.info).



التوجيه 2006/66/EC وتعديله 2013/56/EU (توجيه البطارية): يحتوي هذا المنتج على بطارية لا يمكن التخلص منها بوصفها نفايات محلية غير مصنفة في الاتحاد الأوروبي. راجع وثائق المنتج للاطلاع على معلومات محددة بشأن البطارية. تحمل البطارية هذا الرمز، الذي قد يتضمن حرفاً تدل على الكاديوم (Cd) أو الرصاص (Pb) أو الزئبق (Hg). لتحقيق إعادة التدوير بطريقة سليمة، أعد البطارية إلى المورد الذي تتعامل معه، أو إلى نقطة تجميع محددة. للحصول على مزيد من المعلومات، راجع: [www.recyclethis.info](http://www.recyclethis.info).

معلومات السلامة

- يرجى قراءة جميع معلومات السلامة بعناية قبل الاستخدام.
- عند استخدام المنتج، يجب أن تلتزم بصرامة بلوائح السلامة الكهربائية السارية في الدولة والمنطقة.
- قم بتوفير مانع الصواعق عند فتحة مدخل الجهاز في ظل الظروف الخاصة مثل قمة الجبل والبرج الحديدي والغابة.
- بالنسبة للجهاز الذي يتم تشغيله وإيقاف تشغيله عن طريق قابس الطاقة ومخرج المقابس فقط، يجب تركيب مخرج المقابس بالقرب من الجهاز بحيث يسهل الوصول إليه.
- لا تلمس المكونات العارية (مثل نقاط التلامس المعدنية للمداخل) وانتظر لمدة 5 دقائق على الأقل، إذ قد تظل الكهرباء موجودة بعد إيقاف تشغيل الجهاز.
- لا تتبلع البطارية. خطر الإصابة بالحروق الكيميائية!

الامتثال التنظيمي ومعلومات السلامة  
اقرأ جميع المعلومات والتعليمات الواردة في هذا المستند بعناية قبل استخدام الجهاز واحتفظ بهذا المستند للرجوع إليه فيما بعد.  
لمزيد من المعلومات والتعليمات حول الجهاز، يُرجى زيارة موقعنا الإلكتروني على <https://www.hikvision.com>. ويمكنك أيضاً الرجوع إلى المستندات الأخرى (إن وجدت) المصاحبة للجهاز أو مسح رمز الاستجابة السريعة (إن وجد) الموجود على العبوة للحصول على مزيد من المعلومات.  
إخلاء المسؤولية

إلى الحد الأقصى الذي يسمح به القانون المعمول به، يتوفر هذا الدليل والمنتج الموصوف وما يتضمنه من أجهزة وبرامج وبرامج ثابتة "في الحالة التي هو عليها" و"بكل العيوب والأخطاء التي يتضمنها". لا تقدم HIKVISION أي ضمانات، سواء كانت صريحة أو ضمنية، بما في ذلك، على سبيل المثال لا الحصر، قابلية التسويق، أو الجودة المرضية، أو الملاءمة لغرض معين. يقع استخدام المنتج من قبلك على مسؤوليتك الخاصة. لن تتحمل شركة HIKVISION -بأي حال من الأحوال- المسؤولية عن أي أضرار خاصة، أو لاحقة، أو عرضية، أو غير مباشرة -بما في ذلك، ومن بين أمور أخرى- أي أضرار ناجمة عن فقدان الأرباح التجارية، أو توقف العمل، أو فقدان البيانات، أو فساد في الأنظمة، أو ضياع الوثائق -سواء أكان ذلك استناداً إلى خرق للعقد، أم خطأ (ومنه الإهمال)- أو مسؤولية المنتج أو غير ذلك، فيما يتعلق باستخدام المنتج، حتى إذا كان قد تم إبلاغ HIKVISION بإمكانية حدوث مثل هذه الأضرار أو فقدان أنت تقر بطبيعة الإنترنت التي تنطوي على المخاطر الأمنية الكامنة، ولا يقع على HIKVISION أي مسؤوليات عن التشغيل غير الطبيعي أو تسرب الخصوصية أو غيرها من الأضرار الناجمة عن الهجوم الإلكتروني أو هجوم القرصنة أو الإصابة بالفيروسات والمخاطر الأمنية للإنترنت - ومع ذلك، سوف توفر HIKVISION الدعم الفني في الوقت المناسب، إذا لزم الأمر.


أنت توافق على استخدام المنتج تماثياً مع جميع القوانين المعمول بها، وتتحمل وحدك المسؤولية عن ضمان أن استخدامك يتوافق مع القانون المعمول به. تتحمل وحدك بشكل خاص المسؤولية عن استخدام المنتج بطريقة لا تنتهك حقوق الأطراف الأخرى، بما في ذلك، على سبيل المثال لا الحصر، حقوق الدعاية، أو حقوق الملكية الفكرية، أو حقوق حماية البيانات وحقوق الخصوصية الأخرى. لا يجوز استخدام هذا المنتج لأي استخدامات نهائية محظورة، بما في ذلك تطوير أسلحة دمار شامل أو إنتاجها، أو تطوير أسلحة كيميائية أو بيولوجية أو إنتاجها، أو أي أنشطة في هذا السياق متعلقة بأي مواد قابلة للانفجار النووي أو دورة الوقود النووي غير الآمنة، أو لدعم انتهاكات حقوق الإنسان.

ويسود القانون الساري في حال حدوث أي تضارب بينه وبين هذا الدليل.

تتطبق هذه البنود فقط على المنتجات التي تحمل العلامة أو المعلومات المقابلة.

بيان الامتثال لمعايير الاتحاد الأوروبي  
يحمل هذا المنتج وكذلك ملحقاته المقدمة - إن وُجدت - علامة "CE" ومن ثم يمثل للمعايير الأوروبية المُنسقة السارية والمدرجة ضمن توجيه التوافق الكهرومغناطيسي (EMCD) 2014/30/EU، وتوجيه الجهد المنخفض (LVD) 2014/35/EU، وتوجيه الحد من المواد الخطرة (RoHS) 2011/65/EU.



- يحتوي هذا المنتج على بطارية خلية بشكل أزرار/عملة معدنية. إذا تم ابتلاع البطارية الجافة على شكل عملة معدنية/زر، فقد يتسبب ذلك في الإصابة بحروق داخلية شديدة في غضون ساعتين فقط ويمكن أن يؤدي إلى الوفاة.
  - احتفظ بالبطاريات الجديدة والمستعملة بعيداً عن متناول الأطفال.
  - إذا لم يتم إغلاق حجرة البطارية بإحكام، فتوقف عن استخدام المنتج واحتفظ به بعيداً عن متناول الأطفال.
  - إذا كنت تعتقد أن البطاريات قد تم ابتلاعها أو وضعها داخل أي جزء من الجسم، فالتمس الرعاية الطبية على الفور.
  - تنبيه: ثمة خطر حدوث انفجار إذا تم استبدال البطارية بنوع غير صحيح.
  - قد يؤدي الاستبدال غير الصحيح للبطارية بنوع غير صحيح إلى إبطال الحماية (على سبيل المثال، في حالة بعض أنواع بطاريات الليثيوم).
  - لا تتخلص من البطارية بإلقائها في النار أو في فرن ساخن، أو تقم بسحق البطارية أو تقطيعها ميكانيكياً، مما قد يؤدي إلى حدوث انفجار.
  - لا تترك البطارية في بيئة محيطة ذات درجة حرارة عالية للغاية، مما قد يؤدي إلى حدوث انفجار أو تسرب سائل أو غاز قابل للاشتعال.
  - لا تُعرض البطارية لضغط هواء منخفض للغاية، مما قد يؤدي إلى حدوث انفجار أو تسرب سائل أو غاز قابل للاشتعال.
  - تخلص من البطاريات المستعملة حسب التعليمات.
  - + يحدد الأطراف الموجبة للجهاز مع التيار المباشر أو بولده، و - يحدد الطرف (الأطراف) السالبة للجهاز الذي يُستخدم مع التيار المباشر أو بولده.
  - يجب عدم وضع مصادر لهب مكشوفة على الجهاز، مثل الشموع المضاءة.
  - إذا تم استخدام المنفذ التسلسلي للجهاز لتصحيح الأخطاء فقط، فهو مخصص فقط للمحترفين أو الدعم الفني لصيانة الجهاز.
  - بالنسبة للجهاز المزود بملصق أو  ، انتبه إلى التنبيهات التالية:
- تنبيه: الأجزاء الساخنة! لا تلمسها. قد تتعرض أصابعك للاحتراق عند مسك الأجزاء وهي ساخنة. انتظر نصف ساعة بعد إيقاف تشغيل الجهاز قبل مسك الأجزاء.
- هذا الجهاز غير مناسب للاستخدام في الأماكن التي يُحتمل وجود أطفال فيها.
  - إذا كانت هناك حاجة إلى تركيب الجهاز،
  - 1. قم بتركيب الجهاز وفقاً للتعليمات الواردة في دليل البدء السريع.
  - 2. لتجنب الإصابة، يجب تثبيت هذا الجهاز على سطح التركيب بإحكام وفقاً لتعليمات التركيب.
  - لا تقم بوضع الجهاز أبداً في مكان غير مستقر. قد يسقط الجهاز، مما يتسبب في حدوث إصابات خطيرة أو الوفاة.
  - إذا كان الجهاز يدعم التركيب في الحائط أو السقف، يجب أن يكون سطح التركيب قادراً على تحمل القوة الإضافية التي تساوي ثلاثة أضعاف وزن الجهاز ولكن لا تقل عن 50 نيوتن. يجب أن يظل الجهاز ووسائل التركيب المرفقة معه ثابتة أثناء التركيب. بعد التركيب، يجب ألا يتلف الجهاز بما في ذلك أي لوحة تركيب مرتبطة به.
  - تنبيه: إذا كان السناد مصمماً لطراز جهاز معين ينتمي إلى شركتنا، فاستخدم السناد مع الجهاز المتوافق فقط. قد يؤدي استخدام أجهزة أخرى إلى عدم ثبات الجهاز وحوادث إصابات.
  - تنبيه: إذا كان يتعين تركيب الجهاز باستخدام سناد معين ينتمي إلى شركتنا، فاستخدم السناد المتوافق فقط. قد يؤدي استخدام أنواع أخرى (مثل العربات، والحوامل، والحاملات) إلى عدم ثبات الجهاز وحوادث إصابات. راجع ورقة بيانات الجهاز للحصول على تفاصيل طرازات السناد.
  - إذا لزم توصيل الجهاز بنفسك، فحدد السلك المتوافق مع مصدر الطاقة وفقاً للمعلومات الكهربائية الموضحة على الجهاز. افصل السلك باستخدام أداة تعرية الأسلاك القياسية في الموضع المتوافق. لتجنب حدوث عواقب وخيمة، يجب أن يكون طول السلك العاري مناسباً، ويجب ألا تكون الموصلات مكشوفة.
  - تأكد من فصل الطاقة قبل توصيل أسلاك الجهاز، أو تركيبه أو فكّه.
  - إذا انبعث دخان أو رائحة غريبة أو ضوضاء من الجهاز، فأوقف تشغيل الطاقة على الفور وافصل كابل الطاقة، ثم اتصل بمركز الخدمة.



See Far, Go Further

UD33950B