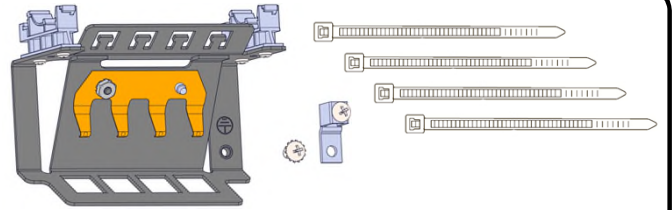
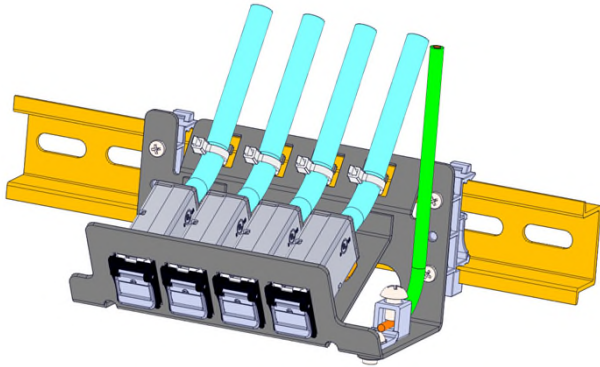
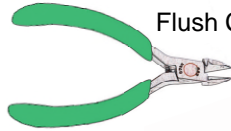


Shielded DIN panel Instructions



Parts



Flush Cutters

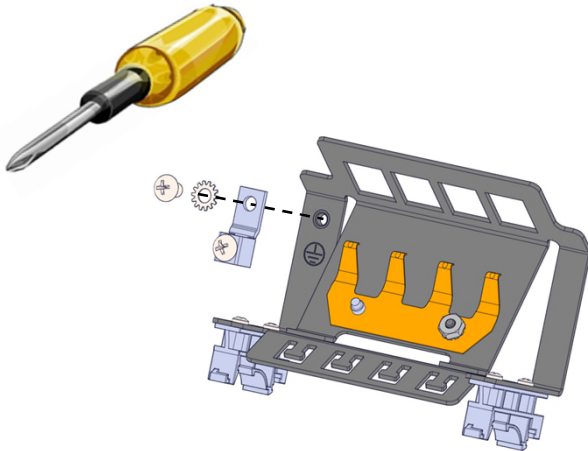


Philips Screwdriver



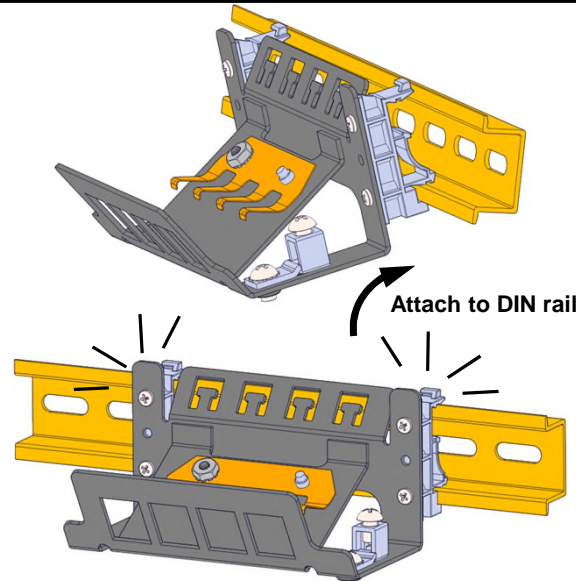
Associated outlet termination Instructions & tools

Tools



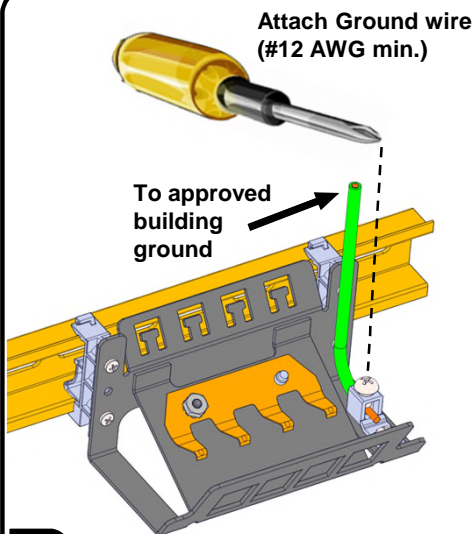
Attach Ground Lug

1



Attach to DIN rail

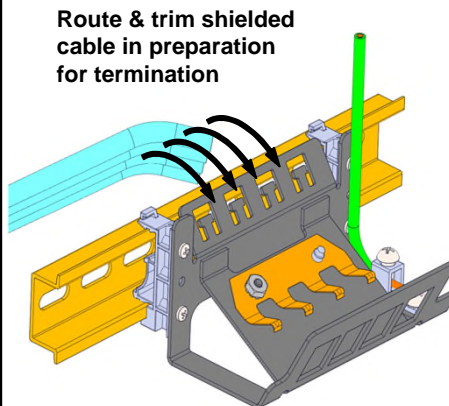
2



Attach Ground wire (#12 AWG min.)

To approved building ground

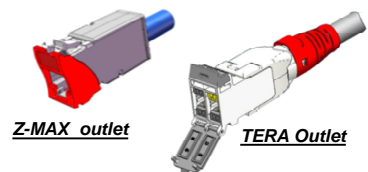
3



Route & trim shielded cable in preparation for termination

4

Terminate desired Z-MAX or TERA shielded outlet:



Z-MAX outlet

TERA Outlet

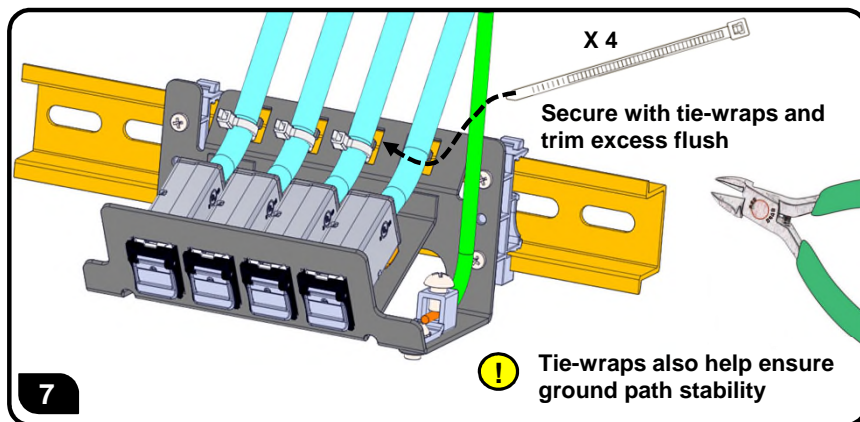
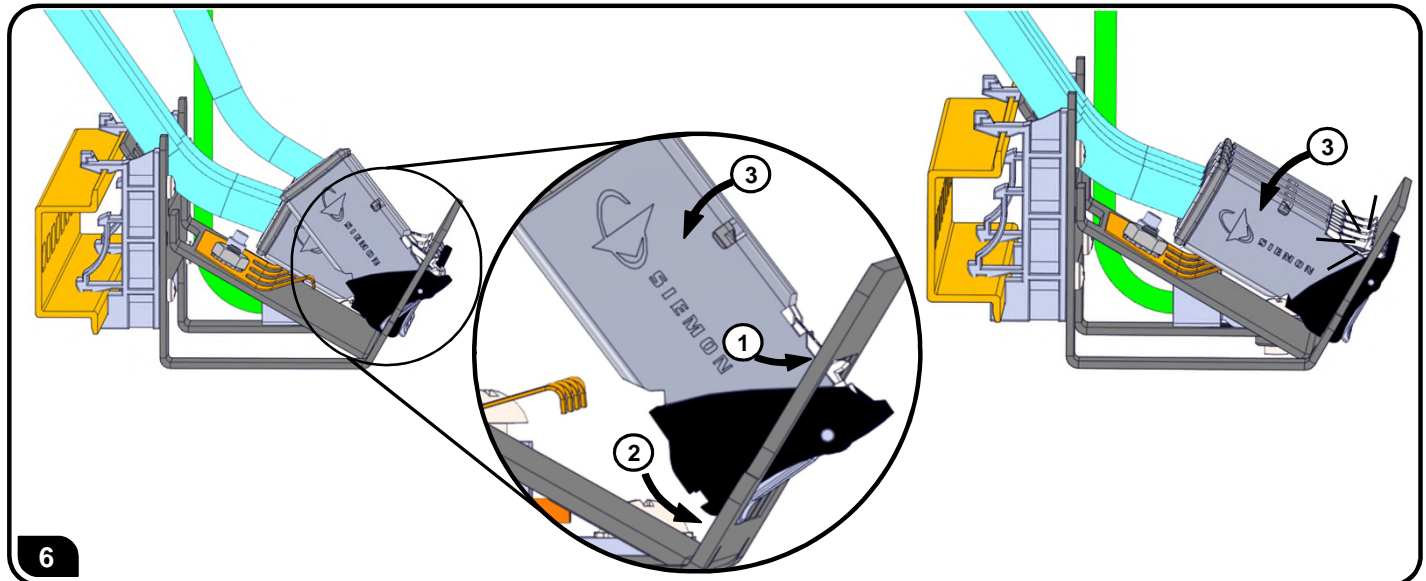
Refer to applicable termination instructions (included with product or listed on line):

www.siemon.com/en/home/support/product-installation

Shielded Z-MAX & TERA outlet are listed under Work Area.

5

Shielded DIN panel Instructions



To assist safe installations, comply with the following:

- A. Use caution when installing or modifying telecommunications circuits.
- B. Never touch uninsulated wire terminals unless the circuit has been disconnected.
- C. Never install this device in a wet location.
- D. Never install wiring during a lightning storm.

Lors de l'installation, respectez les consignes de sécurité suivantes:

- A. Utiliser avec prudence lors de l'installation ou de la modification circuits de télécommunications.
- B. Ne jamais toucher les bornes de fil métallique non isolés sauf si le circuit a été débranché.
- C. Ne jamais installer cet appareil dans un endroit humide.
- D. Ne jamais installer pendant un orage.

To ensure you have the latest revision to this document, please visit: www.Siemon.com



Global Headquarters
Watertown, Connecticut USA
Tel: (1) 866-548-5814

For a complete listing of our global offices visit our web site