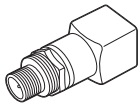
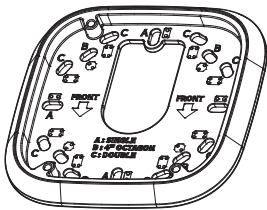


Installation Kit

SBD-110GPA



Package



M12 to RJ45 Gender



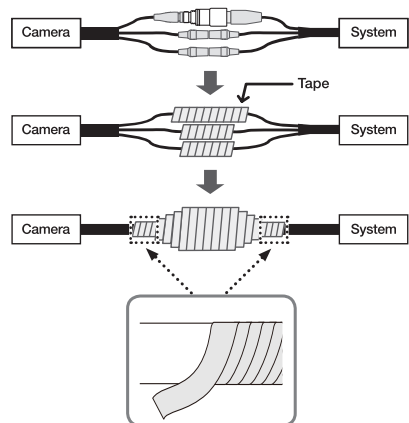
Screws(3ea)

PT01-006185A

Installation Precautions

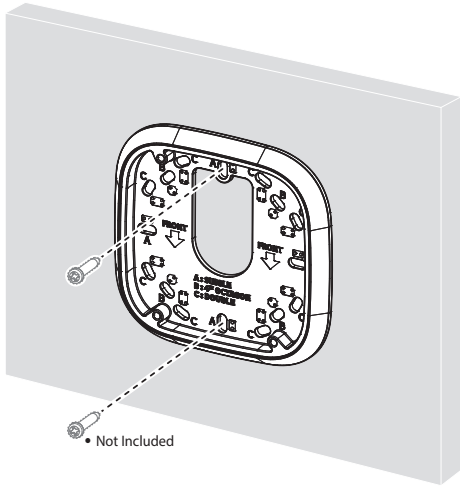
- Make sure that the installation place can endure at least 4 times of the total weight of the Kit and Camera.

- Gender waterproof guide

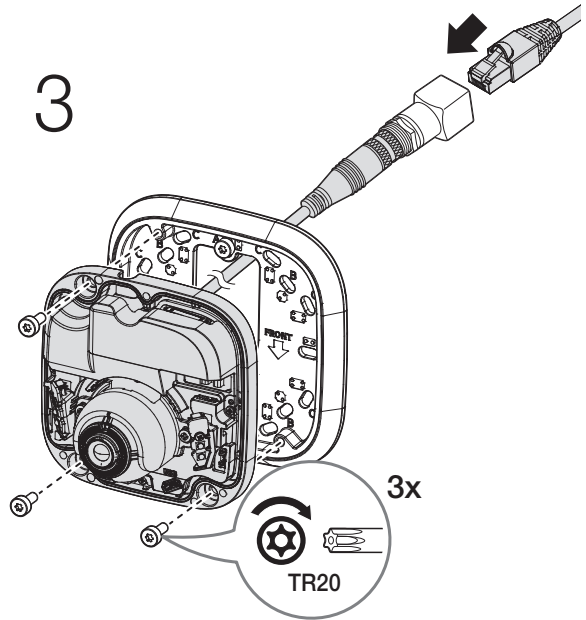


Installation

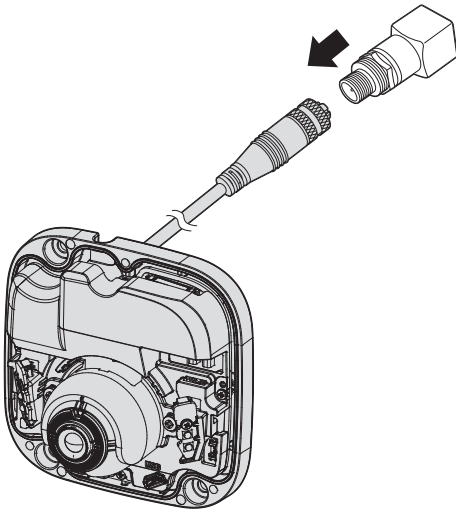
1



3



2



4

