



Two-Wire Bundle

User Manual

Legal Information

About this Document

- This Document includes instructions for using and managing the Product. Pictures, charts, images and all other information hereinafter are for description and explanation only.
- The information contained in the Document is subject to change, without notice, due to firmware updates or other reasons. Please find the latest version of the Document at the Hikvision website (<https://www.hikvision.com>). Unless otherwise agreed, Hangzhou Hikvision Digital Technology Co., Ltd. or its affiliates (hereinafter referred to as "Hikvision") makes no warranties, express or implied.
- Please use the Document with the guidance and assistance of professionals trained in supporting the Product.

About this Product

This product can only enjoy the after-sales service support in the country or region where the purchase is made.

Acknowledgment of Intellectual Property Rights

- Hikvision owns the copyrights and/or patents related to the technology embodied in the Products described in this Document, which may include licenses obtained from third parties.
- Any part of the Document, including text, pictures, graphics, etc., belongs to Hikvision. No part of this Document may be excerpted, copied, translated, or modified in whole or in part by any means without written permission.
- **HIKVISION** and other Hikvision's trademarks and logos are the properties of Hikvision in various jurisdictions.
- Other trademarks and logos mentioned are the properties of their respective owners.

LEGAL DISCLAIMER

- TO THE MAXIMUM EXTENT PERMITTED BY APPLICABLE LAW, THIS DOCUMENT AND THE PRODUCT DESCRIBED, WITH ITS HARDWARE, SOFTWARE AND FIRMWARE, ARE PROVIDED "AS IS" AND "WITH ALL FAULTS AND ERRORS". HIKVISION MAKES NO WARRANTIES, EXPRESS OR IMPLIED, INCLUDING WITHOUT LIMITATION, MERCHANTABILITY, SATISFACTORY QUALITY, OR FITNESS FOR A PARTICULAR PURPOSE. THE USE OF THE PRODUCT BY YOU IS AT YOUR OWN RISK. IN NO EVENT WILL HIKVISION BE LIABLE TO YOU FOR ANY SPECIAL, CONSEQUENTIAL, INCIDENTAL, OR INDIRECT DAMAGES, INCLUDING, AMONG OTHERS, DAMAGES FOR LOSS OF BUSINESS PROFITS, BUSINESS INTERRUPTION, OR LOSS OF DATA, CORRUPTION OF SYSTEMS, OR LOSS OF DOCUMENTATION, WHETHER BASED ON BREACH OF CONTRACT, TORT (INCLUDING NEGLIGENCE), PRODUCT LIABILITY, OR OTHERWISE, IN CONNECTION WITH THE USE OF THE




PRODUCT, EVEN IF HIKVISION HAS BEEN ADVISED OF THE POSSIBILITY OF SUCH DAMAGES OR LOSS.

- YOU ACKNOWLEDGE THAT THE NATURE OF THE INTERNET PROVIDES FOR INHERENT SECURITY RISKS, AND HIKVISION SHALL NOT TAKE ANY RESPONSIBILITIES FOR ABNORMAL OPERATION, PRIVACY LEAKAGE OR OTHER DAMAGES RESULTING FROM CYBER-ATTACK, HACKER ATTACK, VIRUS INFECTION, OR OTHER INTERNET SECURITY RISKS; HOWEVER, HIKVISION WILL PROVIDE TIMELY TECHNICAL SUPPORT IF REQUIRED.
- YOU AGREE TO USE THIS PRODUCT IN COMPLIANCE WITH ALL APPLICABLE LAWS, AND YOU ARE SOLELY RESPONSIBLE FOR ENSURING THAT YOUR USE CONFORMS TO THE APPLICABLE LAW. ESPECIALLY, YOU ARE RESPONSIBLE, FOR USING THIS PRODUCT IN A MANNER THAT DOES NOT INFRINGE ON THE RIGHTS OF THIRD PARTIES, INCLUDING WITHOUT LIMITATION, RIGHTS OF PUBLICITY, INTELLECTUAL PROPERTY RIGHTS, OR DATA PROTECTION AND OTHER PRIVACY RIGHTS. YOU SHALL NOT USE THIS PRODUCT FOR ANY PROHIBITED END-USES, INCLUDING THE DEVELOPMENT OR PRODUCTION OF WEAPONS OF MASS DESTRUCTION, THE DEVELOPMENT OR PRODUCTION OF CHEMICAL OR BIOLOGICAL WEAPONS, ANY ACTIVITIES IN THE CONTEXT RELATED TO ANY NUCLEAR EXPLOSIVE OR UNSAFE NUCLEAR FUEL-CYCLE, OR IN SUPPORT OF HUMAN RIGHTS ABUSES.
- IN THE EVENT OF ANY CONFLICTS BETWEEN THIS DOCUMENT AND THE APPLICABLE LAW, THE LATTER PREVAILS.

© Hangzhou Hikvision Digital Technology Co., Ltd. All rights reserved.

Symbol Conventions

The symbols that may be found in this document are defined as follows.

Symbol	Description
 Danger	Indicates a hazardous situation which, if not avoided, will or could result in death or serious injury.
 Caution	Indicates a potentially hazardous situation which, if not avoided, could result in equipment damage, data loss, performance degradation, or unexpected results.
 Note	Provides additional information to emphasize or supplement important points of the main text.

Safety Instruction

Warning

- All the electronic operation should be strictly compliance with the electrical safety regulations, fire prevention regulations and other related regulations in your local region.
- Please use the power adapter, which is provided by normal company. The power consumption cannot be less than the required value.
- Do not connect several devices to one power adapter as adapter overload may cause over-heat or fire hazard.
- Please make sure that the power has been disconnected before you wire, install or dismantle the device.
- When the product is installed on wall or ceiling, the device shall be firmly fixed.
- If smoke, odors or noise rise from the device, turn off the power at once and unplug the power cable, and then please contact the service center.
- If the product does not work properly, please contact your dealer or the nearest service center. Never attempt to disassemble the device yourself. (We shall not assume any responsibility for problems caused by unauthorized repair or maintenance.)

Caution

- Do not drop the device or subject it to physical shock, and do not expose it to high electromagnetism radiation. Avoid the equipment installation on vibrations surface or places subject to shock (ignorance can cause equipment damage).
- Do not place the device in extremely hot (refer to the specification of the device for the detailed operating temperature), cold, dusty or damp locations, and do not expose it to high electromagnetic radiation.
- The device cover for indoor use shall be kept from rain and moisture.
- Exposing the equipment to direct sun light, low ventilation or heat source such as heater or radiator is forbidden (ignorance can cause fire danger).
- Do not aim the device at the sun or extra bright places. A blooming or smear may occur otherwise (which is not a malfunction however), and affecting the endurance of sensor at the same time.
- Please use the provided glove when open up the device cover, avoid direct contact with the device cover, because the acidic sweat of the fingers may erode the surface coating of the device cover.
- Please use a soft and dry cloth when clean inside and outside surfaces of the device cover, do not use alkaline detergents.
- Please keep all wrappers after unpack them for future use. In case of any failure occurred, you need to return the device to the factory with the original wrapper. Transportation without the original wrapper may result in damage on the device and lead to additional costs.

Two-Wire Bundle User Manual

- Improper use or replacement of the battery may result in hazard of explosion. Replace with the same or equivalent type only. Dispose of used batteries according to the instructions provided by the battery manufacturer.
- Input voltage should meet both the SELV and the Limited Power Source according to 60950-1 standard.
- If a power adapter is provided in the device package, use the provided adapter only. If no power adapter is provided, ensure the power adapter or other power supply complies with Limited Power Source. Refer to the product label for the power supply output parameters.

Regulatory Information

EU Conformity Statement



This product and - if applicable - the supplied accessories too are marked with "CE" and comply therefore with the applicable harmonized European standards listed under the EMC Directive 2014/30/EU, RE Directive 2014/53/EU, the RoHS Directive 2011/65/EU



2012/19/EU (WEEE directive): Products marked with this symbol cannot be disposed of as unsorted municipal waste in the European Union. For proper recycling, return this product to your local supplier upon the purchase of equivalent new equipment, or dispose of it at designated collection points. For more information see: www.recyclethis.info



2006/66/EC (battery directive): This product contains a battery that cannot be disposed of as unsorted municipal waste in the European Union. See the product documentation for specific battery information. The battery is marked with this symbol, which may include lettering to indicate cadmium (Cd), lead (Pb), or mercury (Hg). For proper recycling, return the battery to your supplier or to a designated collection point. For more information see: www.recyclethis.info

Industry Canada ICES-003 Compliance

This device meets the CAN ICES-3 (B)/NMB-3(B) standards requirements.

This device complies with Industry Canada licence-exempt RSS standard(s). Operation is subject to the following two conditions:

1. this device may not cause interference, and
2. this device must accept any interference, including interference that may cause undesired operation of the device.

Le présent appareil est conforme aux CNR d'Industrie Canada applicables aux appareils radioexempts de licence. L'exploitation est autorisée aux deux conditions suivantes :

1. l'appareil ne doit pas produire de brouillage, et
2. l'utilisateur de l'appareil doit accepter tout brouillage radioélectrique subi, même si le brouillage est susceptible d'en compromettre le fonctionnement.

Under Industry Canada regulations, this radio transmitter may only operate using an antenna of a type and maximum (or lesser) gain approved for the transmitter by Industry Canada. To reduce potential radio interference to other users, the antenna type and its gain should be so chosen that the equivalent isotropically radiated power (e.i.r.p.) is not more than that necessary for successful communication.

Two-Wire Bundle User Manual

Conformément à la réglementation d'Industrie Canada, le présent émetteur radio peut fonctionner avec une antenne d'un type et d'un gain maximal (ou inférieur) approuvé pour l'émetteur par Industrie Canada. Dans le but de réduire les risques de brouillage radioélectrique à l'intention des autres utilisateurs, il faut choisir le type d'antenne et son gain de sorte que la puissance isotrope rayonnée équivalente (p.i.r.e.) ne dépasse pas l'intensité nécessaire à l'établissement d'une communication satisfaisante.

This equipment should be installed and operated with a minimum distance 20cm between the radiator and your body.

Cet équipement doit être installé et utilisé à une distance minimale de 20 cm entre le radiateur et votre corps.

Contents

Chapter 1 About this Manual	1
Chapter 2 Configuration and Operation of Indoor Station	2
2.1 Activation	2
2.1.1 Activate Indoor Station	2
2.2 Configuration Guide	3
2.2.1 Typical Application	3
2.2.2 Local Operation	3
2.3 Operation Guide	13
2.3.1 Local Operation	13
Chapter 3 Configuration and Operation of Door Station	17
3.1 Appearance	17
3.2 Restore to Factory Settings	18
3.3 Terminal Description	19
3.4 Installation	19
3.4.1 Accessory Introduction	20
3.4.2 Surface Mounting with Protective Shield	21
3.4.3 Flush Mounting with Mounting Box	22
3.5 Typical Application	23
3.6 Video Intercom Operation	24
3.7 Dimension	24

Chapter 1 About this Manual

Get the manual and related software from or the official website (<http://www.hikvision.com>).

Product	Model
Two-Wire Door Station	DS-KV8103Y-IMPE2
Two-Wire Indoor Station	DS-KH6320Y-WTPE2

Chapter 2 Configuration and Operation of Indoor Station

Enter a short description of your concept here (optional).

This is the start of your concept.

2.1 Activation

2.1.1 Activate Indoor Station

You can configure and operate the indoor station after activating the device.

Steps

1. Power on the device. It will enter the page of **Language**.

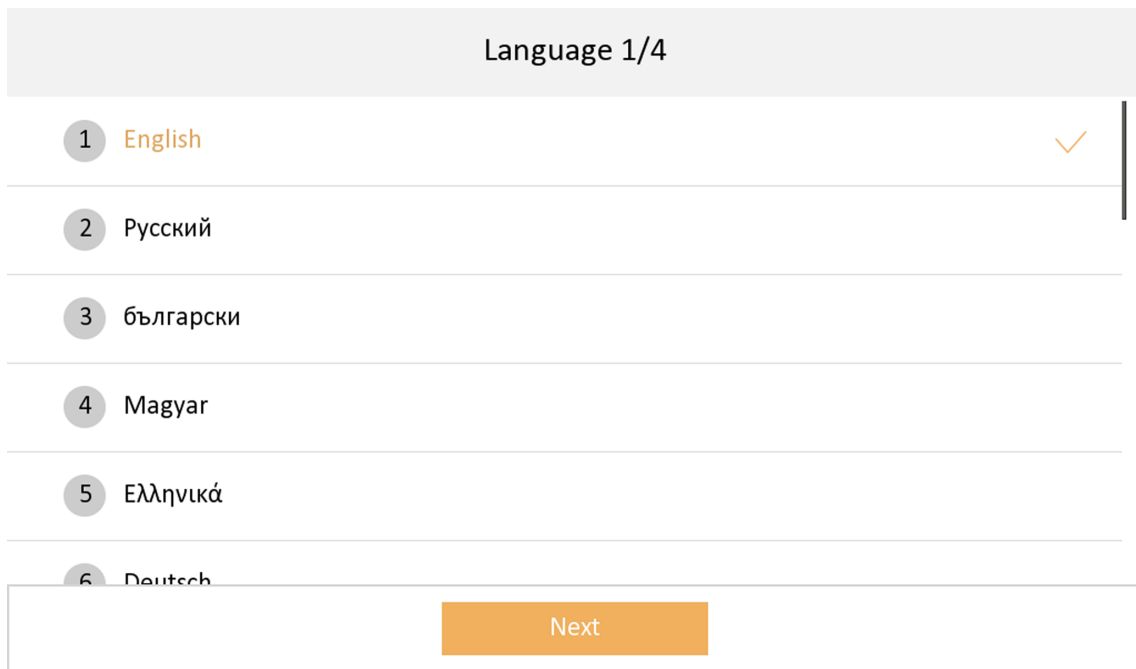


Figure 2-1 Language

2. Tap **Next**, and the device will be automatically activated.

2.2 Configuration Guide

2.2.1 Typical Application

The typical application of the device is shown as below.

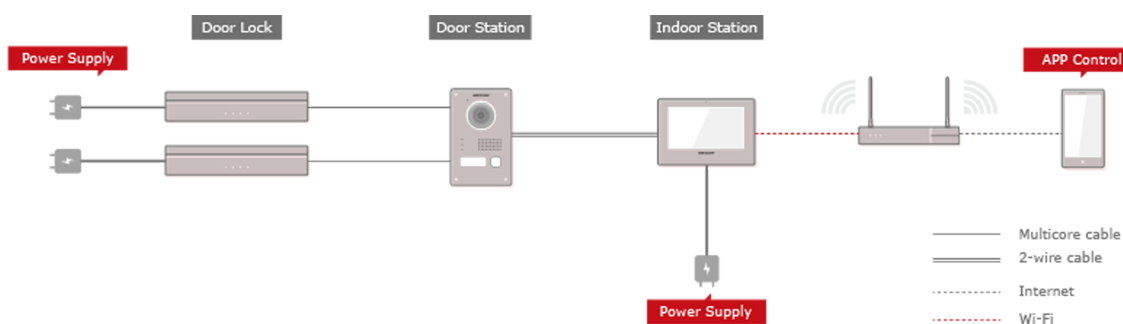


Figure 2-2 Typical Application

Wire the door station to the indoor station with 2-wire cables.

You can activate door station by indoor station.

Set the open duration and other parameters by indoor station.

Refers to the Indoor Station Configuration Guide for details.

2.2.2 Local Operation

Quick Operation

After device activation, the wizard page will pop up. The description is for other indoor stations.

Steps

1. Select language and tap **Next**.

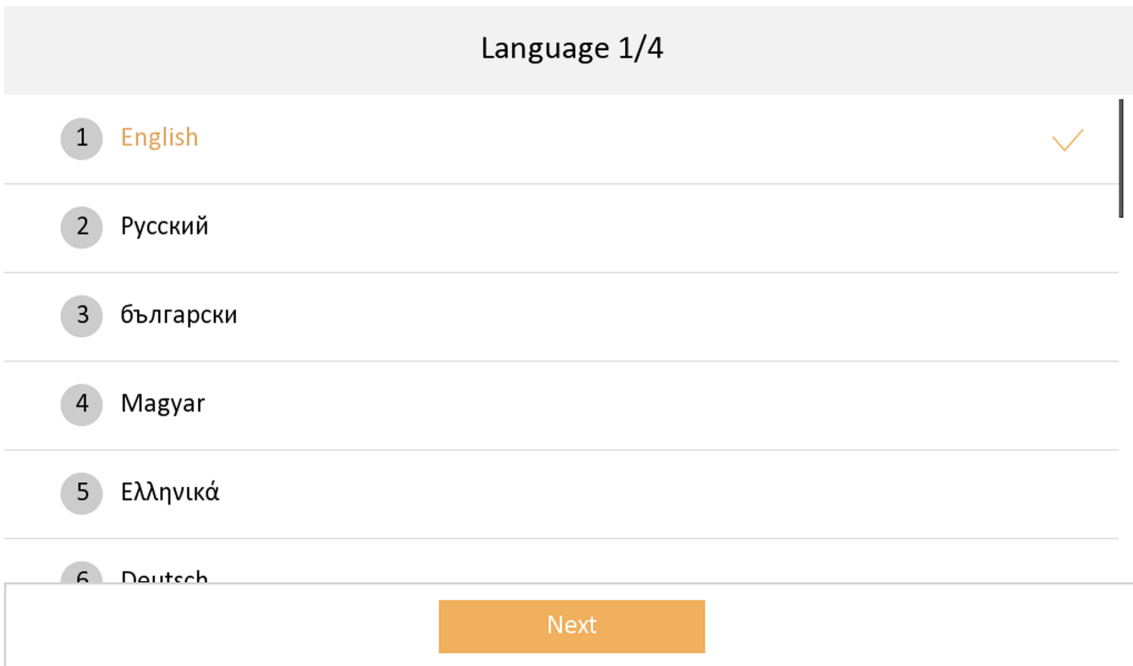


Figure 2-3 Select Language

2. Connect to Mobile Phone.



Figure 2-4 Connect to Mobile Phone

- If you would like to connect your device to your mobile phone, tap **Connect**. You will then set Wi-Fi parameters.

- Or you can tap **Skip** to skip this step and connect later. The device will then automatically check the connection between the door station and indoor station. If the two devices are successfully paired, the indoor station will then enter the menu page.

 **Note**

If you skip this step, you will receive a notice of **Connecting to App** every day the device lights up for the first time. On the notice page, you can check the box of **Do Not Show Again** and tap **Skip** if you do not like to receive this notice anymore.

3. Select a Wi-Fi from the list and enter the Wi-Fi's password to get connected. Tap **Next**.

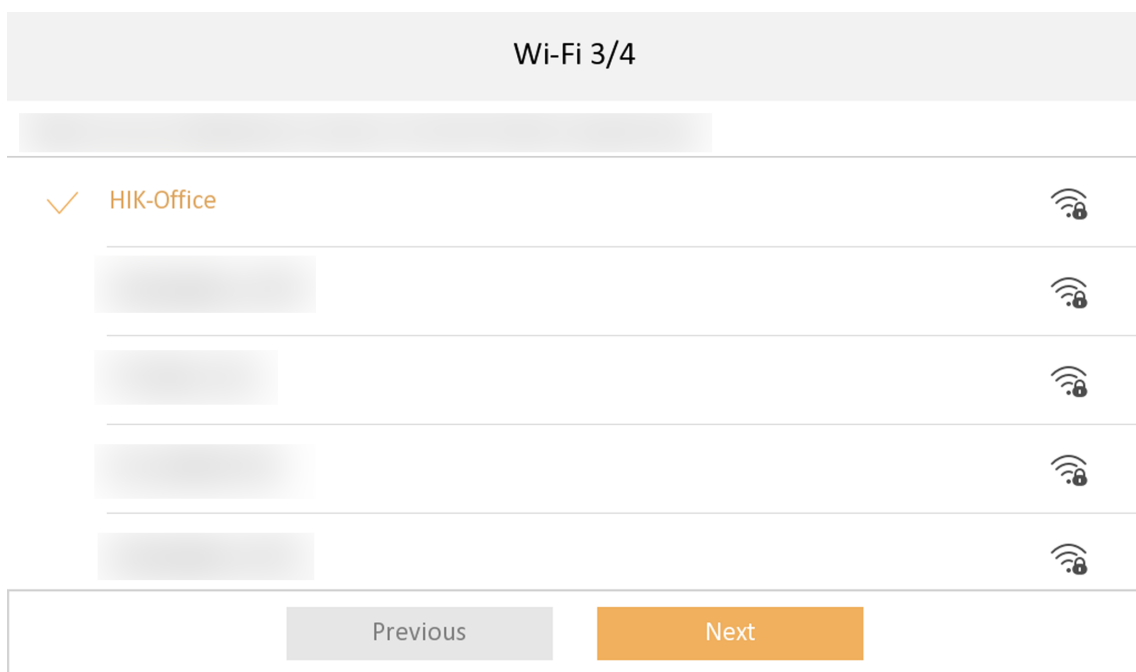


Figure 2-5 Connect to Wi-Fi

4. Add your device to your mobile phone and tap **Next**. Scan the first QR code to download the App of Hik-Connect and scan the second QR code to add your device to the App.

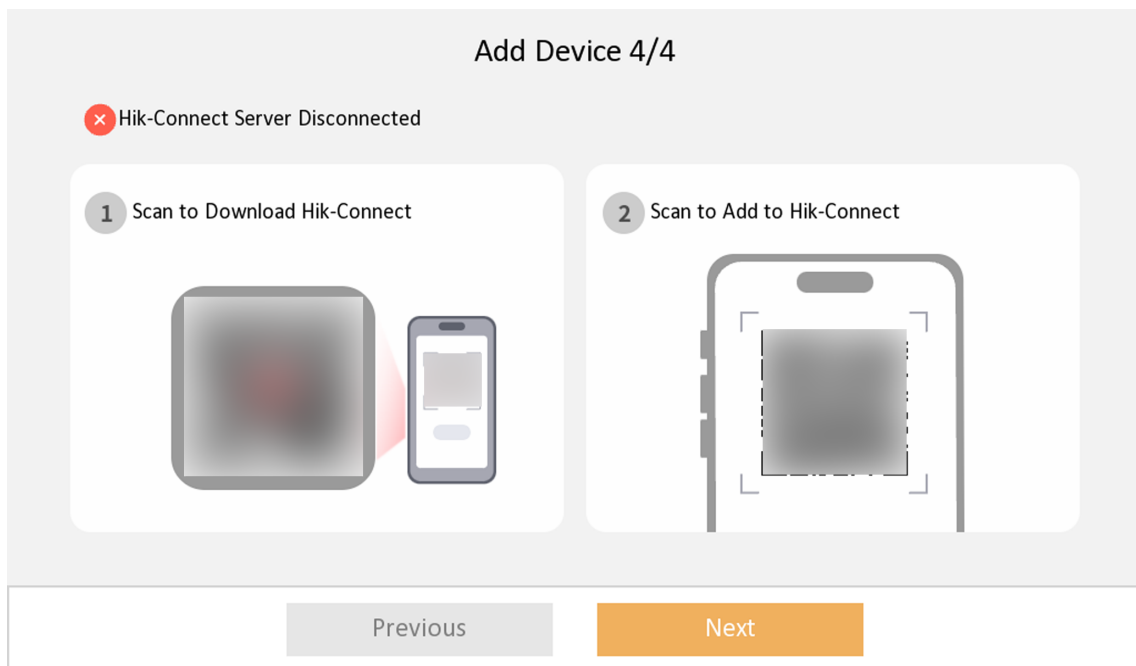


Figure 2-6 Add Device to Mobile Phone


5. After adding your device to your mobile phone, the device will check the connection with the door station.
- If two devices pair successfully, the indoor station will then enter the menu page.
 - If pairing failed, the device will inform you to reset the indoor station or to check the wiring.

Basic Settings

Basic settings is required before starting using the indoor station. It is necessary to set the indoor station network, room No., linked devices, device time display, and so on.

Connect to Wi-Fi

Set Wi-Fi connection.

Tap **Settings** → . Enable **Wi-Fi**, and the indoor station will search available Wi-Fi automatically.

Note

The Wi-Fi IP can be changed.

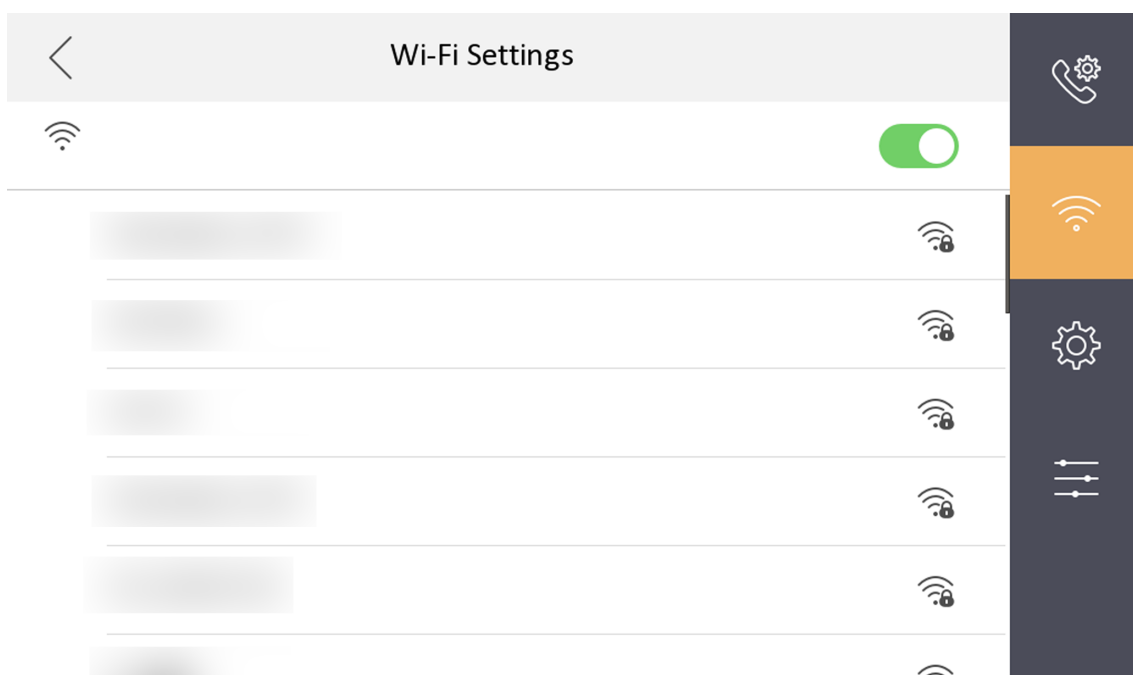


Figure 2-7 Wi-Fi Settings

Select an Wi-Fi and connect.

Sound Settings

Call Settings

You can set the ringtone, ring duration, call forwarding time on call settings page.

Steps

1. Tap **Settings** →  to enter the call settings page.

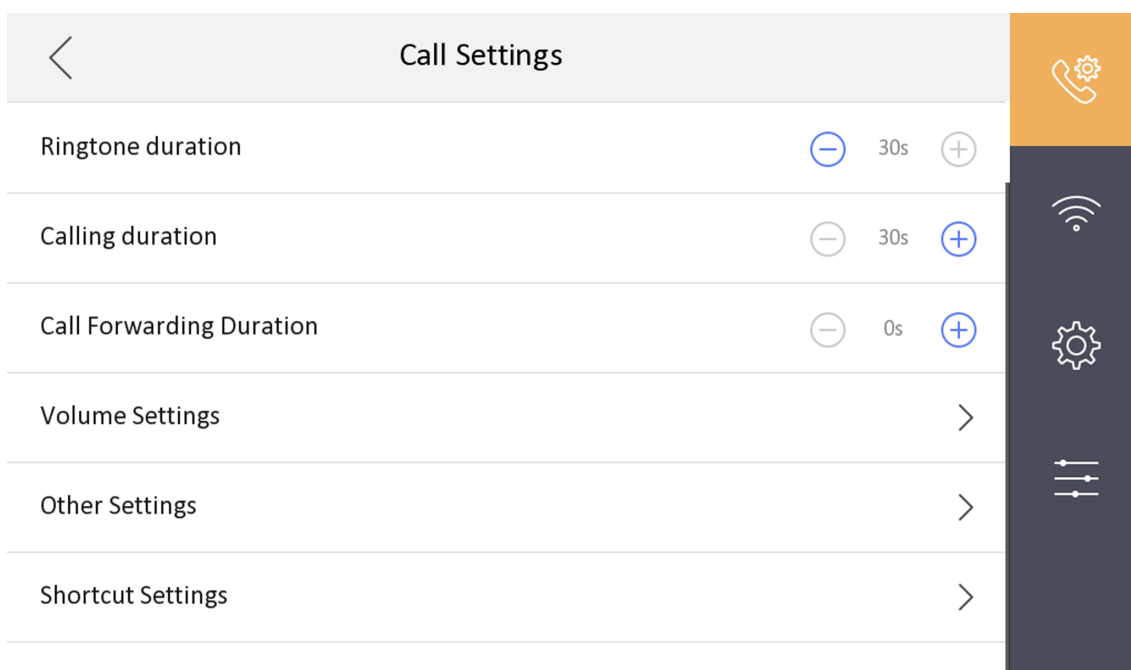


Figure 2-8 Call Settings

2. Set corresponding parameters.

Ringtone

There are 3 ringtones by default, and you can custom and import at most 4 ringtones via Batch Configuration Tool or iVMS-4200 Client Software.

Ringtone Duration: The maximum duration of indoor station when it is called without being accepted. Ringtone duration ranges from 30 s to 60 s.

Calling Duration

The call will end automatically when the actual calling duration is longer than the configured one. Calling duration ranges from 30 s to 60 s.

Call Forwarding Duration

The ring duration limit beyond which the call is automatically forwarded to the mobile phone designated by the resident. Call forwarding ranges from 0 s to 20 s.

Other Settings

You can set the Do Not Disturb and Auto-answer functions.

Auto-answer

Enable **Auto-answer**. After enabling, the call from door station/villa door station will be answered by the indoor station automatically. The caller from door station/villa door station can leave voice messages. After the message is left, you can check it from **Message** on the main page of the device.

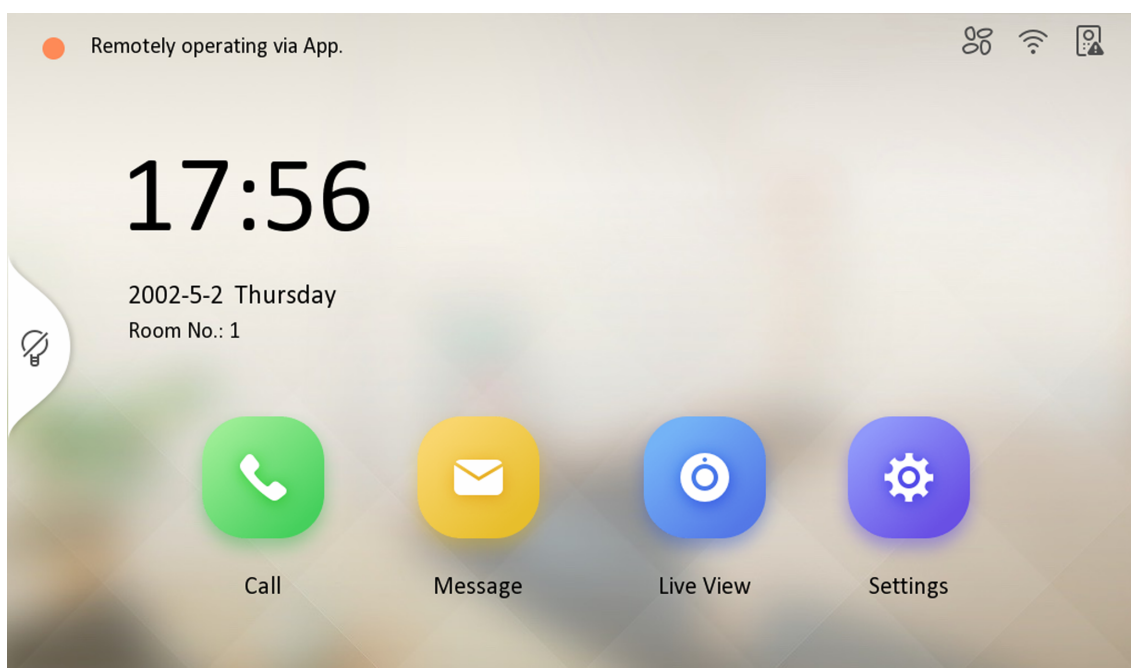



Figure 2-9 Main Page

Note

Before enabling **Auto-answer**, the function of **Leave Message** needs to be enabled. Tap **Settings** →  → to enter the shortcut settings page. Enable **Leave Message** and go back to calling settings page to enable **Auto-answer**.

Do Not Disturb Device

Select **All** and all devices will not disturb this device. Select **Indoor Station** and all indoor station will not disturb this device.

Do Not Disturb

Set the do not disturb schedule. Select **Close** and the do not disturb function will not be enabled. Select **All Day** and this device will not be disturbed all day. Select **Schedule** and you can set the do not disturb time duration. Within the configured time, this device will not be disturbed.

Shortcut Settings


You can enable leave message or snapshot function according to your actual needs.

You can set the leave message time and snapshot time if these two functions are enabled.

Volume Settings


Set the microphone volume, prompt sound volume and call volume.

Steps

1. Tap **Settings** →  → **Volume Settings** to enter the volume settings page.
2. Set the microphone volume, prompt sound volume, and the call volume of the indoor station.
3. **Optional:** Enable **Touch Sound** to turn on the sound when you touch device screen.

General Settings

You can set time and date, format, system language and adjust the screen brightness on this page.

Tap **Settings** →  to enter the general settings page.

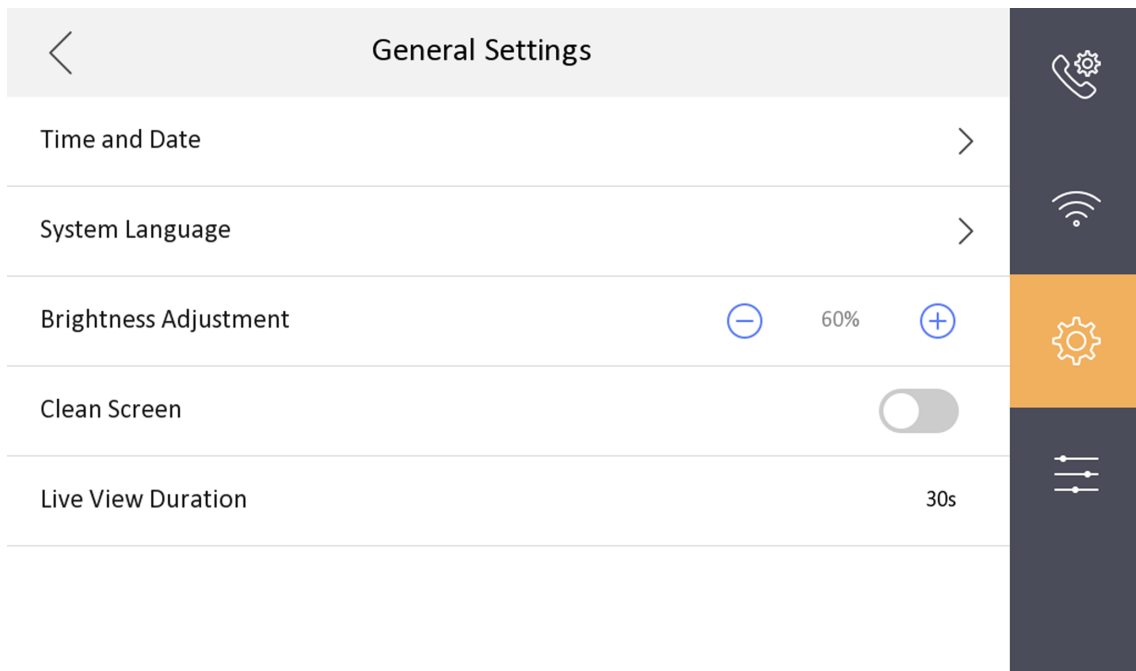


Figure 2-10 General Settings

Time and Date

Set the displayed time and date format, current time. Tap **Sync Time** to synchronize the device time. Tap to enable **Synchronize Time to Door Station** to synchronize the device time to the linked door station. You can also enable **DST** and set the DST start time, end time and bias.

Note

For details, see [***Synchronize Time***](#) .

System Language

Tap **System Language** to change the system language.

Brightness Adjustment

Tap + or - to adjust the screen brightness.

Clean Screen

Enable **Clear Screen** and the screen will be locked for 30s. And you can clear the screen within the time duration.



Note

- After enabling Clear Screen function, press and hold the Unlock key to exit the clear screen mode.
 - The device without unlock key will exit the clear screen mode automatically when the time is out.
-

Live View Duration

You can set the duration of live view.

Synchronize Time

Steps


1. Tap **Settings** →  → **Time and Date** to enter the time synchronization page.
2. Tap **Date Format** and **Time Format** to set the time format.
3. **Optional:** Tap **Time** to set time manually.
4. Tap **Sync Time**.



Figure 2-11 Time Synchronization

- 1) Select the **Time Zone**.
- 2) Enable **Enable NTP**.

3) Set the synchronizing interval, enter the IP address/domain of NTP server and port No.

Note

- The default unit of synchronizing interval is minute.
- The time zone can be configured as well if the NTP is not enabled.


-
5. Tap to enable **Synchronize Time to Door Station** to synchronize the device time to the linked door station.
 6. Enable **DST** and set the DST start time, end time and bias.

Advanced Settings

Device Information

View the device information, including the version, model, serial No. and open source disclaimer.

Steps

1. Tap **Settings** →  → **Device Information** to enter the Device Information page.
2. View the device version, model, and serial No.
3. **Optional:** Tap **Open Source Disclaimer** to view the OSS statement.

Reboot Device

You can reboot the device.



Steps

1. Tap **Settings** →  → **Reboot Device** to reboot the indoor station.
2. Tap **OK** and the device will be rebooted.

Door Station Settings

The indoor station can pair with the main door station.

Steps

1. Tap **Settings** →  → **Main Door Station (D Series)** to enter the door station settings page.
2. Select the device to link. Edit the network parameters by tapping .

System Maintenance

You can restore the device, upgrade system, unlink app account, set wizard, and configure security settings on the system maintenance page.

Tap **Settings** →  → **System Maintenance** to enter the system maintenance page.

Restore Default Settings

Tap **Restore Default Settings** to restore the default settings and reboot the system.

Restore All

Tap **Restore All** to restore all parameters and reboot the system.

Upgrade

Tap **Upgrade** to get the upgrade package online.

Wizard

Tap **Wizard** and set the language, password reset method, network parameters, indoor station parameters, platform service, and related device. For details, refer to **Quick Operation** .

Hik-Connect Service Settings

For more details, please refer to .

2.3 Operation Guide

2.3.1 Local Operation

Menu

You can also check the status of on the menu page.

You can view the status of the Hik-Connect, Wi-Fi, door station and remote operation of APP.

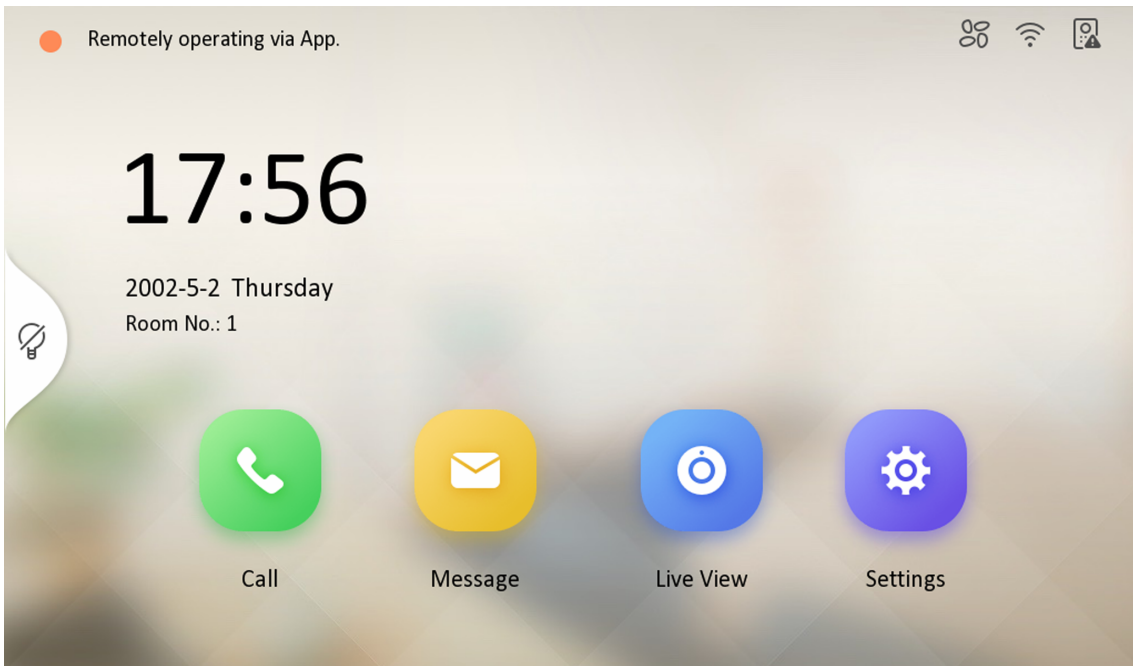


Figure 2-12 Menu

Note

When the App is remotely operating, it will be prompted on the menu page.

Call Settings

Receive Call


The indoor station and indoor extension can receive calls from the linked door station.

On the call from door station page, there are 2 unlock buttons: **Unlock 1**, and **Unlock 2**. When you tap **Unlock 1**, the building gate will open by default, and when you tap **Unlock 2**, the door connected to the door station with the secure control door unit will open.

Tap the capture button to capture and save the live view picture when speaking with the door station.

View Call Logs

Steps

1. Tap **Call** →  to enter the call log page.

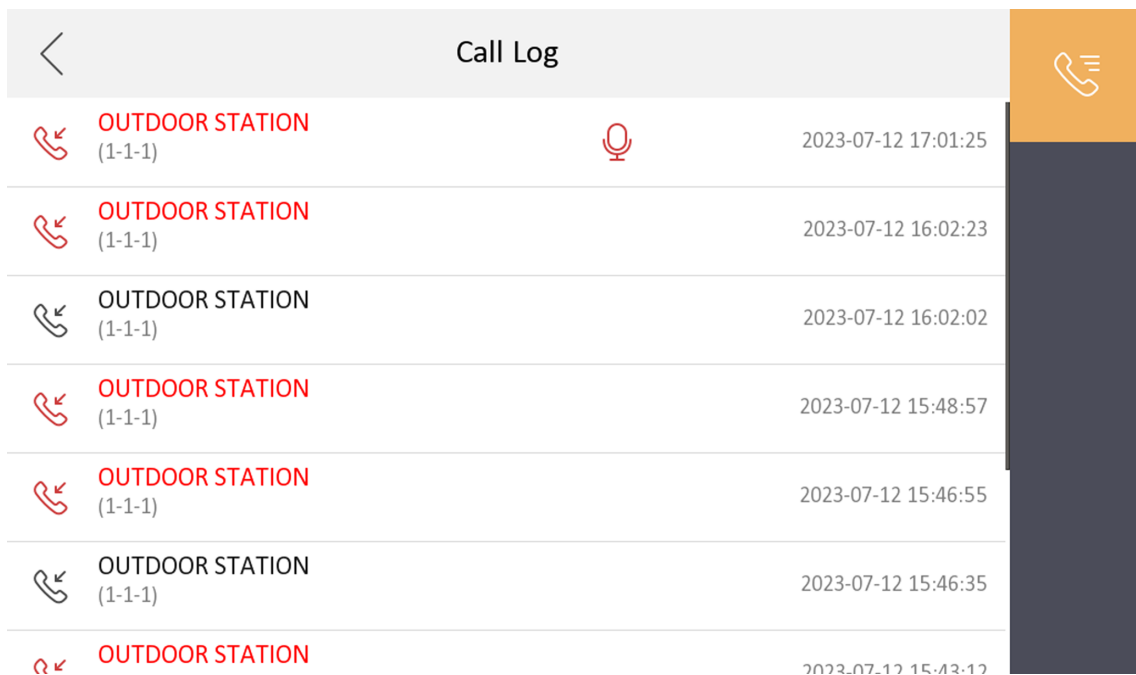


Figure 2-13 Call Logs


2. Tap a piece of call logs in the list to call back.

Note

- The indoor station saves call logs from the door stations.
- Hold a piece of call logs to open the call logs handling menu. Tap **Delete** to delete the piece of call logs. Tap **Clear** to delete all pieces of call logs.

Leave Message

You can set leave message, and view the messages.

Tap **Settings** →  → **Shortcut Settings** to enter the shortcut settings page. Enable **Leave Message**.

Tap **Message** on the main page to view the messages.

Live View

On the live view page, you can view the live video of added door station.

Steps

Note

Make sure the door station is well-connected.

1. Tap **Live View** to enter the live view page.

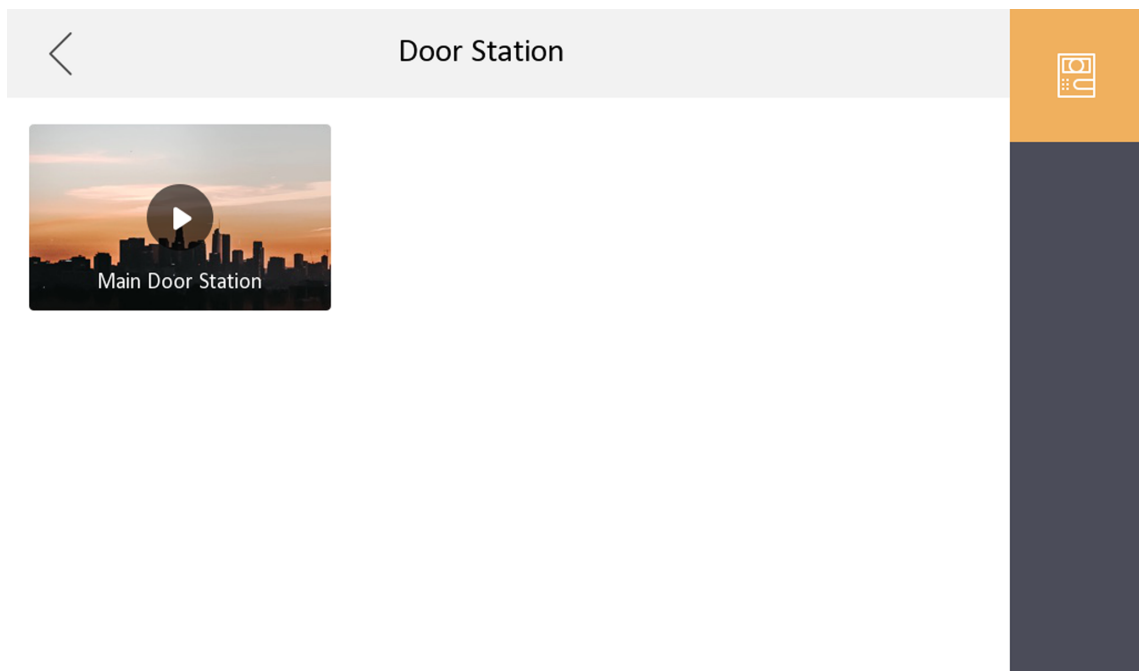


Figure 2-14 Live View

2. Tap  to enter the live view page of door station.

Note

- On the Call from Door Station page, there are 2 unlock buttons: Unlock 1, and Unlock 2. When you tap **Unlock 1**, the building gate will open by default. When you tap **Unlock 2**, the door station connected door will open.
 - On the **Call from Door Station** page, there are 1 capture button. You can tap the button to capture the picture via door station.
-

Information Management

You can view public notice, visitor message, and capture log on information management page.

Tap **Message** to enter the information management page.

Delete a Log: Hold the item, you can delete it.

Clear Logs: Hold the item, you can clear all logs.

Note

Indoor extension only supports capture log.

Chapter 3 Configuration and Operation of Door Station

3.1 Appearance

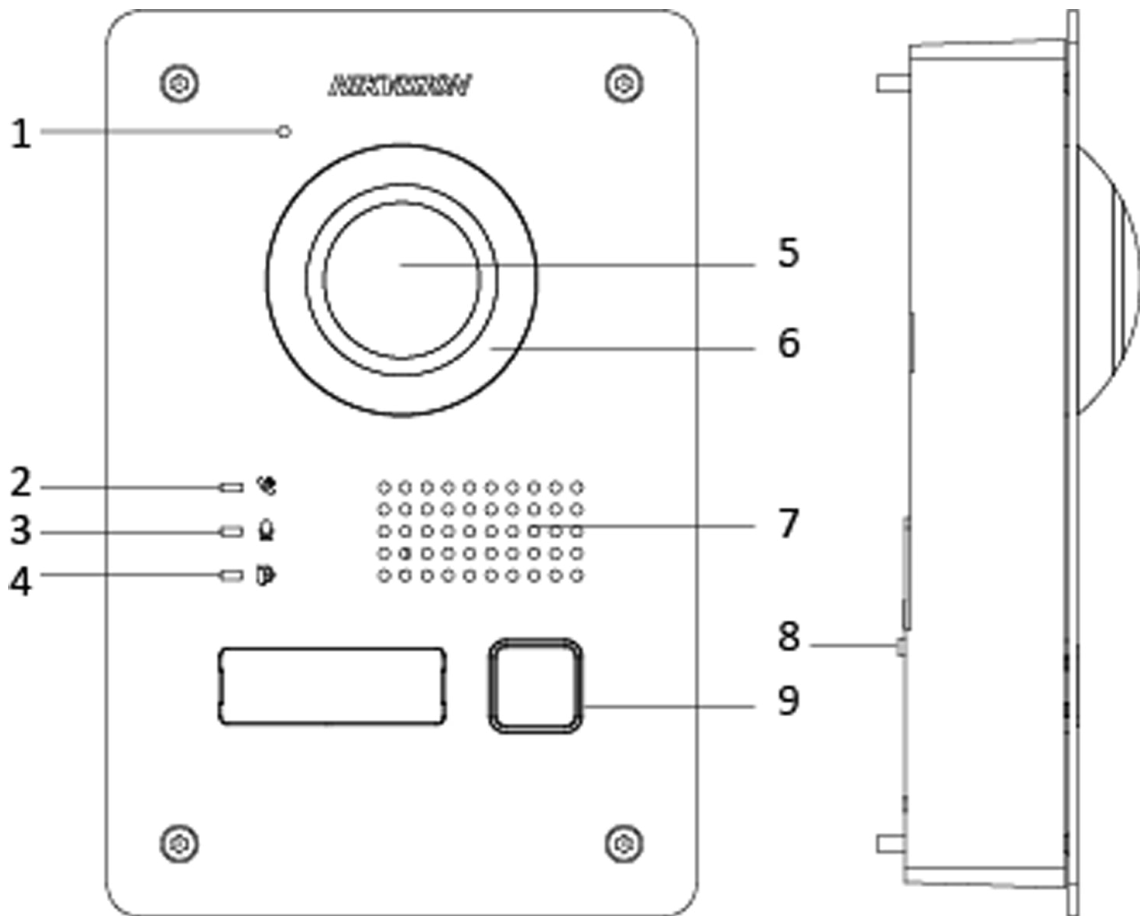


Figure 3-1 Appearance

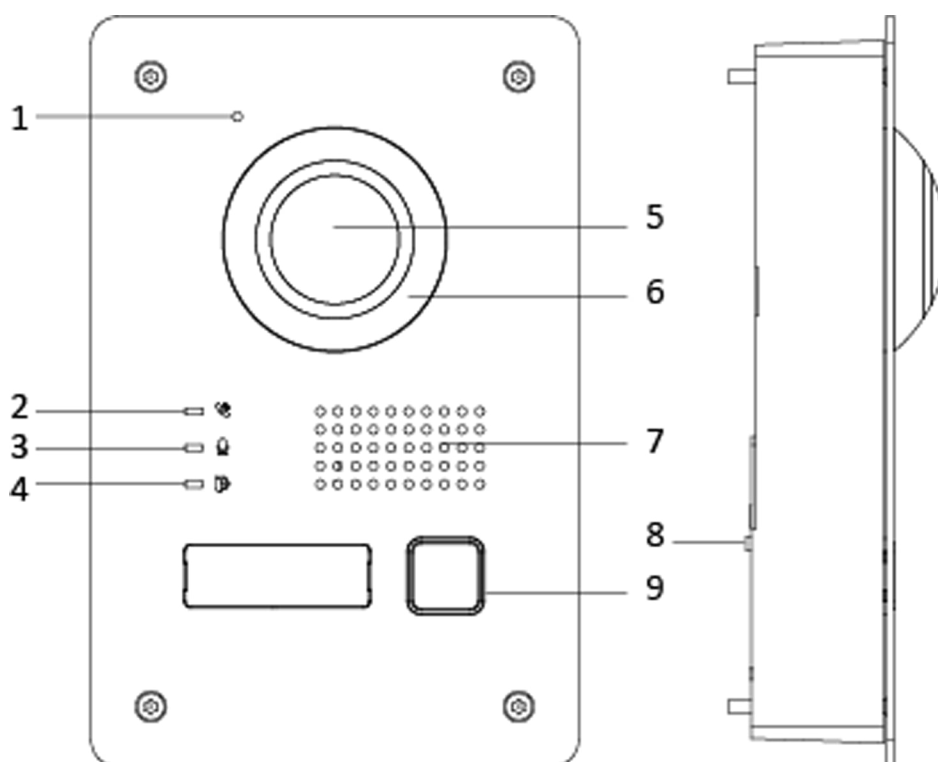
Table 3-1 Description

No.	Description
1	Microphone
2	Calling Indicator
3	Speaking Indicator
4	Open Door Indicator

No.	Description
5	Built-in Camera
6	Supplement Light
7	Loudspeaker
8	TAMPER
9	Call Button

3.2 Restore to Factory Settings

You can restore the device to factory settings by long pressing the call button (No.9) and pressing the tamper button (No.8) for 5 times.



3.3 Terminal Description

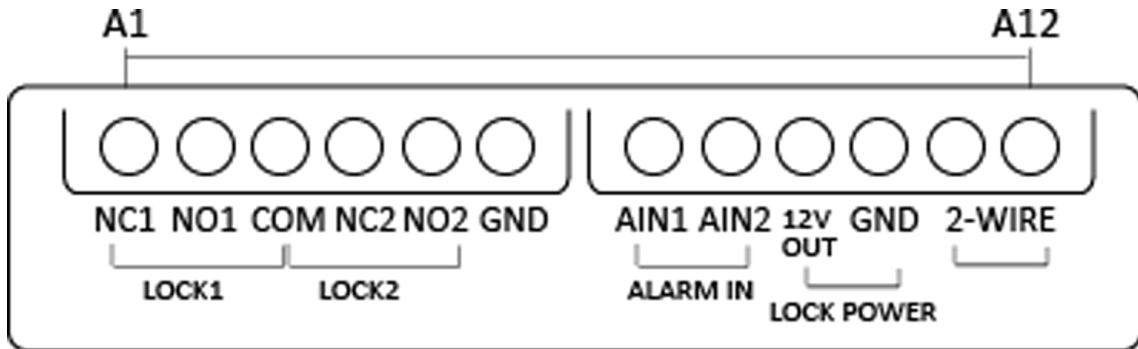


Figure 3-2 Terminal Description

Table 3-2 Terminal Description

No.	Interface	Description
A1	NC1	Normally Close
A2	NO1	Normally Open
A3	COM	Common Interface
A4	NC2	Normally Close
A5	NO2	Normally Open
A6	GND	Grounding
A7	AIN1	Alarm Input 1
A8	AIN2	Alarm Input 2
A9	12V OUT	Power Supply Output
A10	GND	Grounding
A11	2-WIRE	Two-Wire Interface
A12	2-WIRE	Two-Wire Interface

3.4 Installation

Note

- Make sure the device in the package is in good condition and all the assembly parts are included.
- Make sure your power supply matches your door station.

- Make sure all the related equipment is power-off during the installation.
 - Check the product specification for the installation environment.
-

3.4.1 Accessory Introduction

The dimension of mounting box and protective shield are shown below.

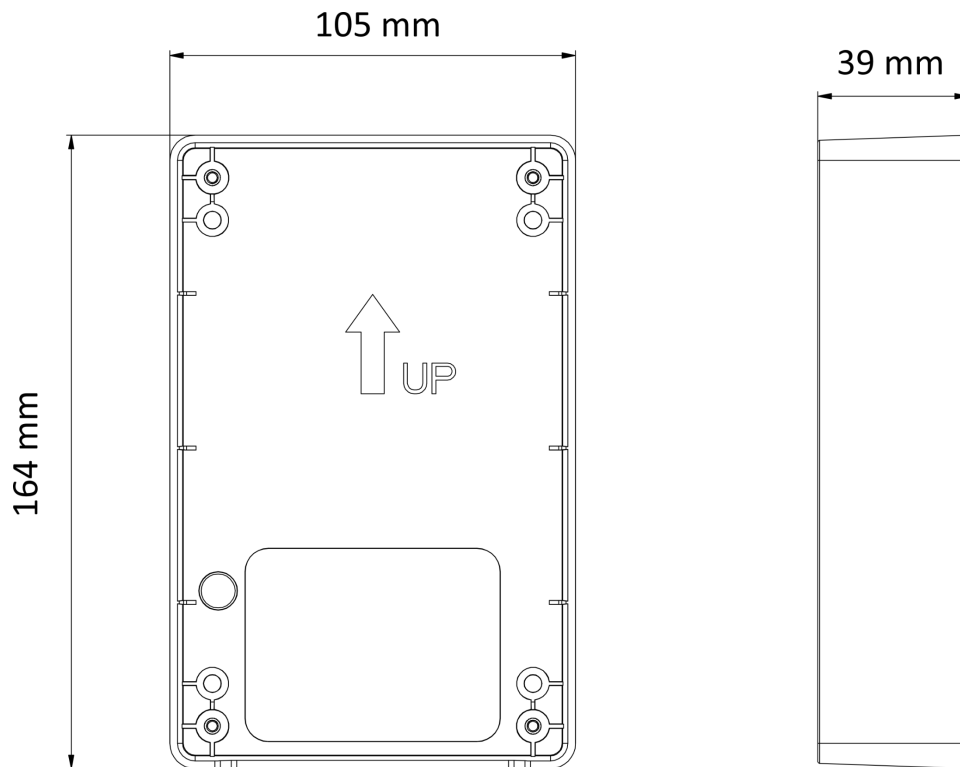


Figure 3-3 Dimension of Gang Box

The dimension of the mounting box is 105 mm × 164 mm × 39 mm.

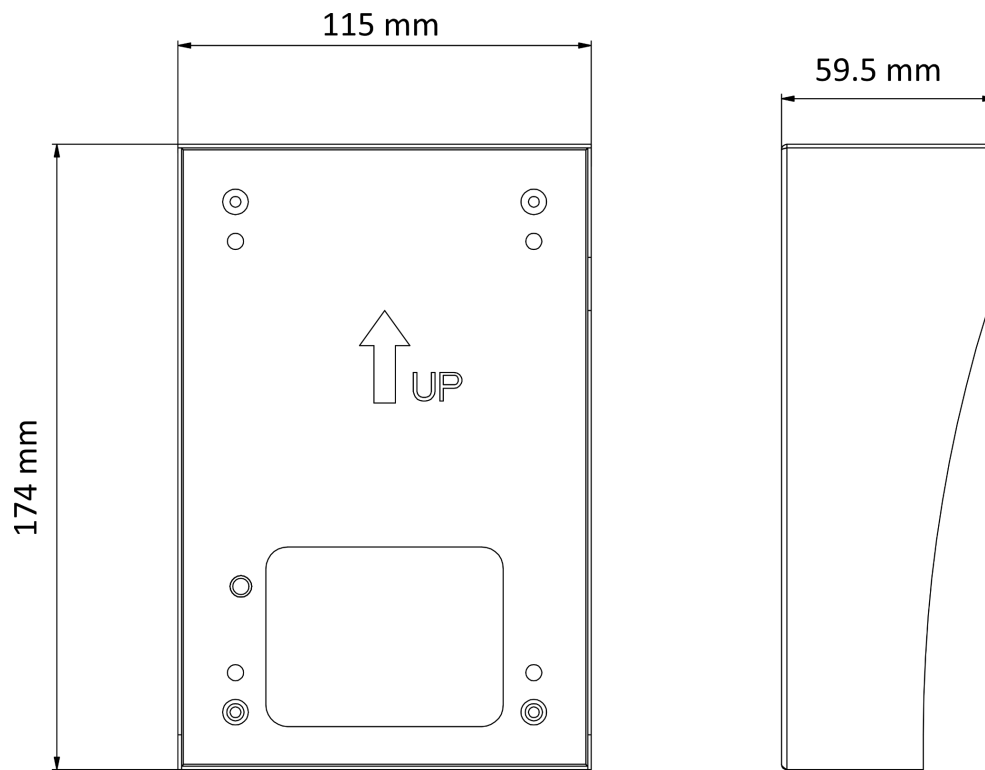


Figure 3-4 Dimension of Protective Shield

The dimension of the protective shield is 115 mm × 174 mm × 59.5 mm.

3.4.2 Surface Mounting with Protective Shield

Steps

1. Secure the protective shield to the wall with 4 screws (KA-4X22-SUS) .
2. Use the wrench to secure the door station to the protective shield with 4 screws (KM3X37) .

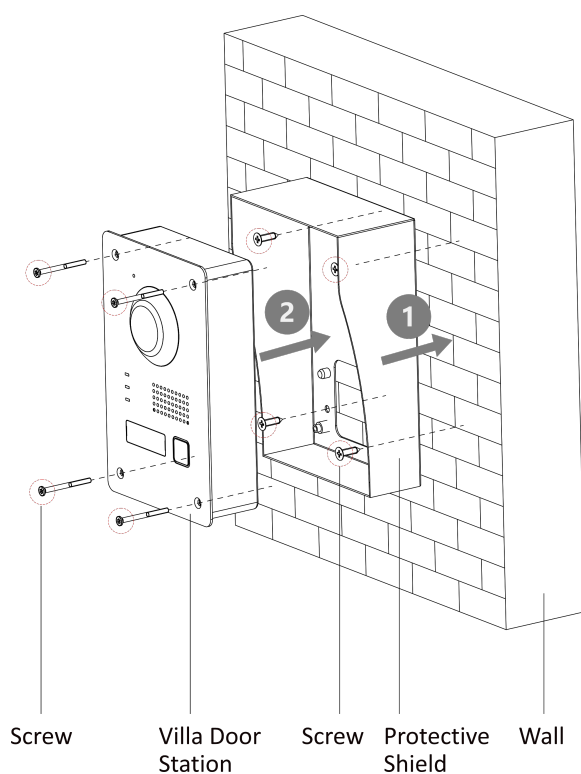


Figure 3-5 Surface Mounting with Protective Shield

3.4.3 Flush Mounting with Mounting Box

Steps

1. Cave the installation hole, and pull the cable out.

Note

The suggested dimension of the installation hole is 103.5 mm × 162.5 mm × 40.5 mm.

2. Insert the mounting box into the hole with 4 screws.
3. Install the door station into the mounting box, and fix it with 4 screws.

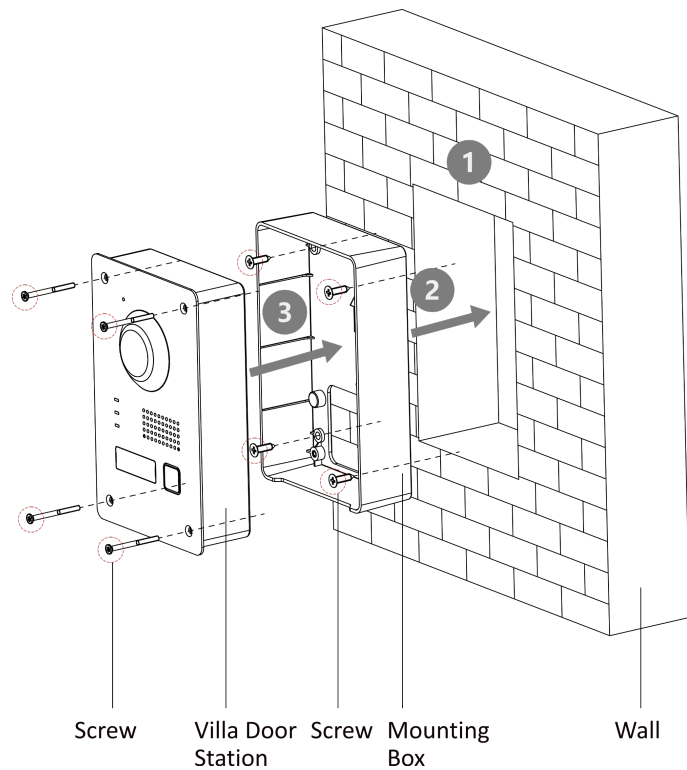


Figure 3-6 Flush Mounting with Mounting Box

3.5 Typical Application

The typical application of the device is shown as below.

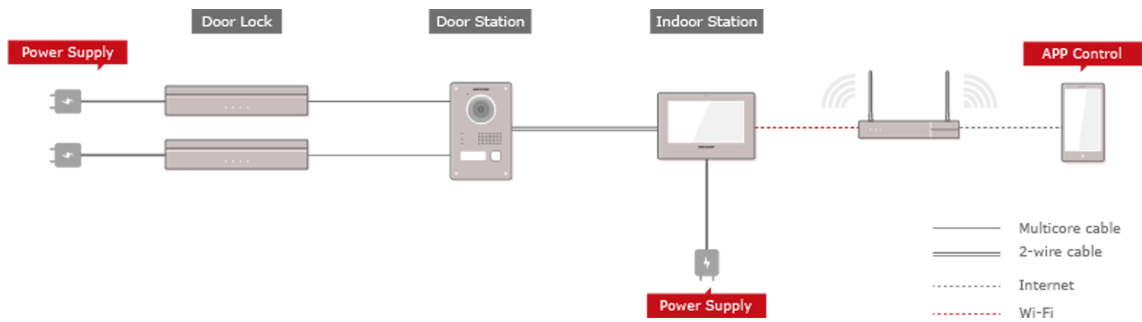


Figure 3-7 Typical Application

Wire the door station to the indoor station with 2-wire cables.

You can activate door station by indoor station.

Set the open duration and other parameters by indoor station.

Refers to the Indoor Station Configuration Guide for details.

3.6 Video Intercom Operation

You can call the resident by pressing the call button.

Press the call button of the door station. The resident can receive/decline the video call, unlock the door, etc.

Note

- When the video intercom between you and the resident is realized, you can speak to the resident, and the live view of door station will be displayed on the connected indoor station.
 - When the door station is calling the resident, the door station will detect the brightness of video automatically. When the brightness is lower than the expected threshold, the supplement light will be enabled.
 - When the supplement light is enabled, the backlight of key will be auto-enabled, otherwise, the door station will detect the brightness of live view and enable the backlight of key when the brightness of live view is lower than expected threshold.
-

3.7 Dimension

The dimension of the villa door station is shown below.

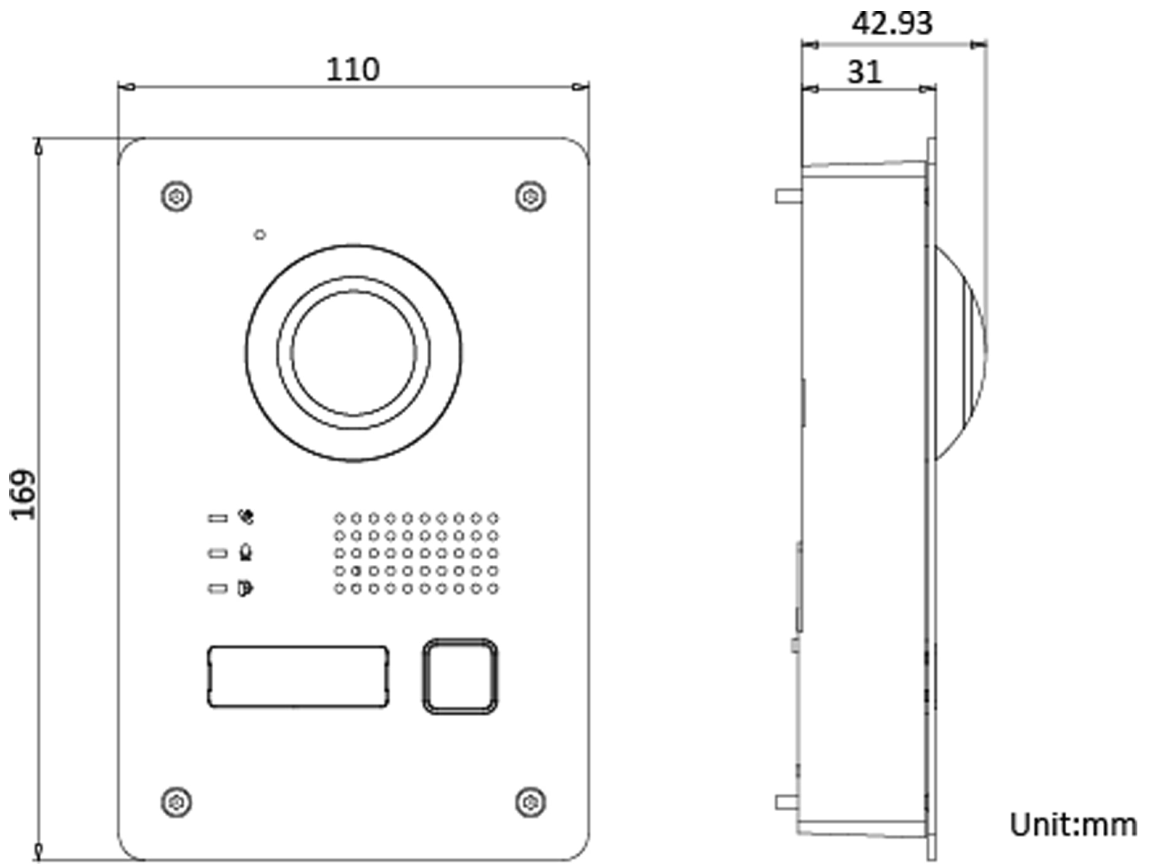
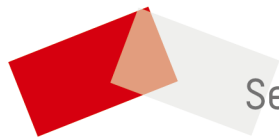


Figure 3-8 Dimension



See Far, Go Further