

DATASHEET

RIM Panic Device by SALTO

The SALTO RIM Panic Device product is a cost effective solution to equip emergency exits combining the panic bar with a SALTO electronic escutcheon.

It is available in either one (PBF1100) or two (PBF1200) closing points.

www.saltosystems.com

TECHNICAL SPECIFICATIONS: RIM PANIC DEVICE - PBFxxx

SALTO
inspired access



TECHNICAL DATA:

Weight:	12.1 lbs (5,49 kg)
Packaging:	10-5/8" x 5-1/8" x 40-1/8" (270mm x 130mm x 1020mm)
Latch bolt:	Stainless steel 3/4" (19mm)
Latch:	Latch deadlocking
Handed device:	Non-handed device
Strike:	Included
Fasteners and bolts:	For wood and metal 1-3/4" to 3-15/16" (45 to 100 mm) door thickness included
Exit signal when bar is pressed:	With compatible electronic escutcheon
Steel case:	•
Door Height (model PBF1200*)	7' (2134mm) 8' (2438mm) 10' (3048mm)
Certification:	UL / cUL listed for UL305 and ANSI A156.3-2008, Grade 1 Panic Hardware, Fire rated 3 hour Fire Exit Hardware, conforms to UL10C and UBC7-2

* Exit detector switch, vertical rods, strikes, pullman type deadlocking bolts and screws for installation are included.

FINISHES:

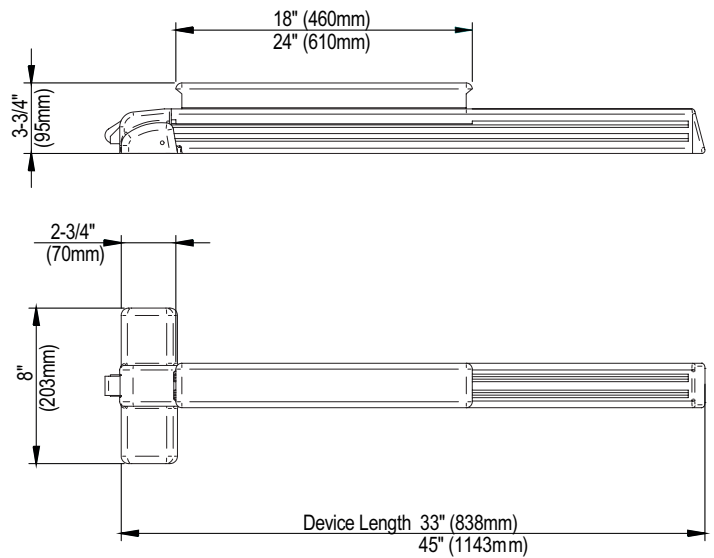
IM Satin stainless steel:	•
BHMA 630, US32D	

DEVICE LENGTH:

Door width:	2'4" / 3' (711mm / 914mm)
Door width:	2'10" / 4' (864mm / 1219mm)

TECHNICAL DRAWING:

PBF1100



PBF1200

