

SBP-150PMW

Pole Mount



Key Features

- Color : White
- Material : Aluminum
- Product dimensions / weight : 310x260x49mm(12.21x10.24x1.93") / 3,200g (7.06lb)
- Max. load : 40kg

Compatible Accessories (Optional)



SBP-150NBW

SBP-150PMW

Pole Mount



Specifications

Mechanical	
Color	White
Material	Aluminum
RAL code	RAL9003
Product dimensions / weight	310x260x49mm(12.21x10.24x1.93") / 3,200g (7.06lb)
Tile thickness	※ Pole thickness ø80~200mm (ø3.15~7.88") : Using vice grip ø200mm~ (ø7.88"~) : Using steel strap
Mount Screw size	TR30, M12
Max. load	40kg
Conduit hole	19.1mm(3/4") (M25)
Supported products	SBP-150NBW

SBP-150PMW

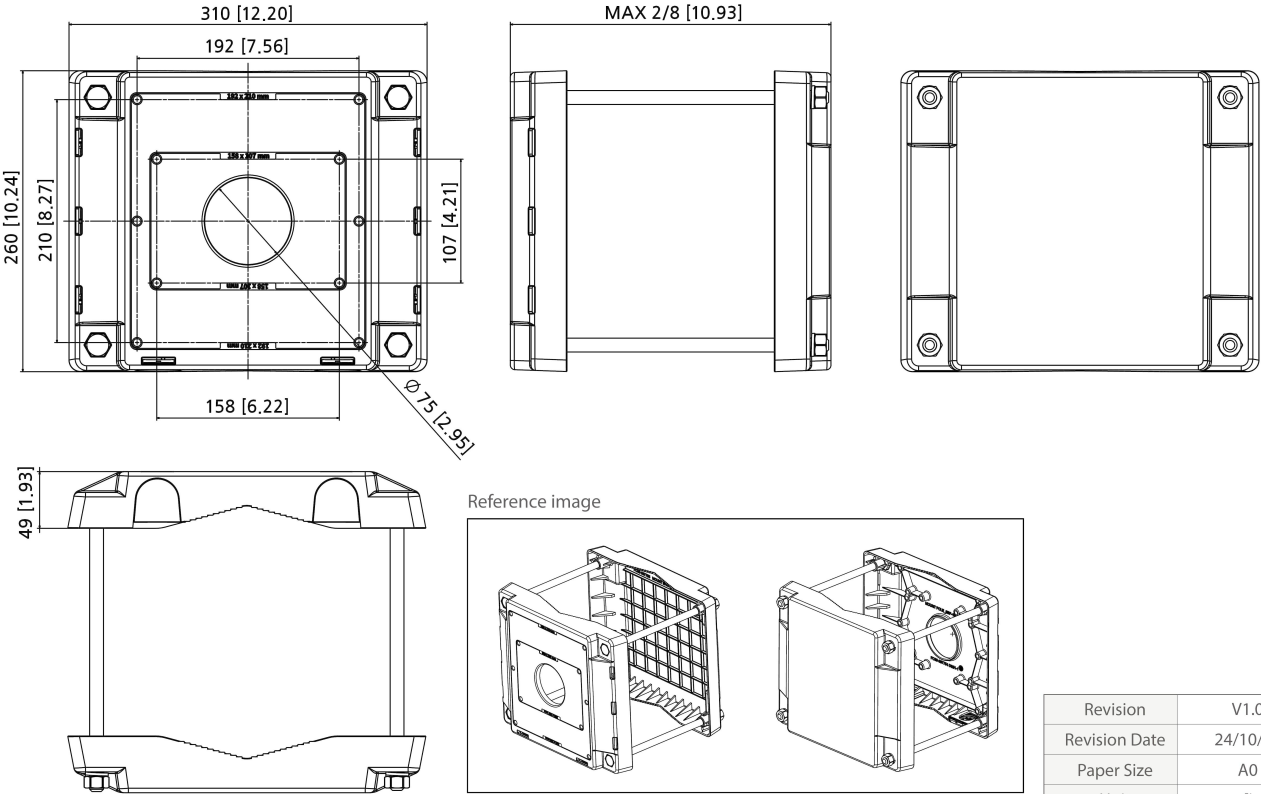
Pole Mount



CAD

Unit:mm [inch]

SBP-150PMW Pole Mount



Revision	V1.0
Revision Date	24/10/17
Paper Size	A0
Unit	mm [inch]
Scale	1:1

© Hanwha Vision Co., Ltd. All right reserved.