



Network

Bullet

# QNO-C8013R

5MP AI IR Bullet Camera



## Key Features

- Max. 5MP resolution
- Color: 0.05Lux(F1.6, 1/30sec), BW: 0.005Lux(F1.6, 1/30sec, 30IRE)
- Maximum 30fps@5MP (H.265/H.264)
- IR viewable length 30m (98.42ft)
- Day & Night (ICR), WDR (120dB), WiseNR II (Using AI engine)
- H.265, H.264, MJPEG, WiseStreamIII (Using AI engine)
- Dynamic Privacy Masking (Person/Vehicle)
- Analytics events based on AI engine (NPU) :
  - Object detection (Person/Vehicle - car, truck, bus, bicycle, motorcycle),
  - Color Attribute, BestShot
  - Motion detection, Virtual line(Crossing/Direction), Virtual area(Loitering/Intrusion/Enter/Exit)
- Hard-coated dome bubble/ IP66, IK10
- PoE: Max 8.1W

# QNO-C8013R

5MP AI IR Bullet Camera



## Specifications

Video	
Imaging Device	1/2.8" CMOS
Resolution	2592x1944, 2560x1440, 1920x1080, 1280x960, 1280x720, 800x600, 800x448, 720x576, 720x480, 640x480, 640x360, 320x240
Max. Framerate	H.265/H.264: Max. 30fps/25fps(60Hz/50Hz) (WDR on/off) MJPEG: Max. 30fps(@5MP Max. 5fps)
Min. Illumination	Color: 0.05Lux(F1.6, 1/30sec, 30IRE) BW: 0.005Lux(F1.6, 1/30sec, 30IRE), 0Lux(IR LED on)
Video Out	USB: Micro USB Type B, 1280x720 for installation
Lens	
Focal Length (Zoom Ratio)	3.0mm fixed focal
Max. Aperture Ratio	F1.6
Angular Field of View	H: 100° / V: 73° / D: 129°
Min. Object Distance	0.5m (1.64ft)
Focus Control	Fixed
Lens Type	Fixed IRIS
Mount Type	M12
Pan / Tilt / Rotate	
Pan / Tilt / Rotate Range	0°~360° / 0°~100° / 0°~360°
Operational	
Camera Title	Displayed up to 85 characters
Day & Night	Auto(ICR)
Backlight Compensation	BLC, WDR, SDDR
Wide Dynamic Range	120dB
Digital Noise Reduction	WiseNR II (Based on AI engine) SSNR V
Motion Detection	8ea, 8point polygonal zones
Privacy Masking	32ea, 4point quadrangle zones - Color: Gray/Green/Red/Blue/Black/White Dynamic Privacy Mask - Mosaic
Gain Control	Low / Middle / High
White Balance	ATW / AWC / Manual / Indoor / Outdoor
LDC	Support
Electronic Shutter Speed	Minimum / Maximum / Anti flicker (1/5~1/25,000sec) Prefer shutter control(Based on AI engine)
Video Rotation	Flip, Mirror, Hallway view(90°/270°)

Design and specifications are subject to change without notice. The latest product information / specification can be found at [HanwhaVision.com](http://HanwhaVision.com).

Hanwha Vision is formerly known as Hanwha Techwin.

Analytics	<p>Classified object type: Person/Vehicle(Type:car/bus/truck/motorcycle/bicycle)          Attributes: Person(Upper/lower clothes color), Vehicle(Type:car/bus/truck/motorcycle/bicycle and color)          Support BestShot          Analytics events based on AI engine          - Motion detection*, Object detection, Virtual line*(Crossing/Direction), Virtual area*(Loitering/Intrusion/Enter/Exit)          Analytics events          - Defocus detection, Tampering, Virtual area(Appear/Disappear)</p> <p>* Some of the video analytics only works with people and vehicle detection</p>
Business Intelligence	Based on AI engine: People counting, Vehicle counting, Queue management, Heatmap
Alarm I/O	Input 1ea / Output 1ea
Alarm Triggers	Analytics, Network disconnect, Alarm input, MQTT subscription
Alarm Events	<p>When alarm trigger occurred</p> <ul style="list-style-type: none"> <li>- File upload(image) : e-mail/FTP/SFTP</li> <li>- Notification : e-mail</li> <li>- Recording : SD/SDHC/SDXC or NAS recording at event triggers</li> <li>- Alarm output</li> <li>- Handover(PTZ preset, Send message by HTTP/HTTPS/TCP)</li> <li>- Audio clip playback</li> <li>- MQTT: publication</li> </ul>
Audio In	Selectable(mic in/line in)
Audio Out	Line out
Light Type	IR LED (850nm)
Light Viewable Length	25m(82.02ft)

<b>Network</b>	
Ethernet	RJ-45 (10/100BASE-T)
Video Compression	H.265/H.264: Main/High, MJPEG
Audio Compression	<p>G.711 u-law /G.726 selectable          G.726(ADPCM) 8KHz, G.711 8KHz          G.726: 16Kbps, 24Kbps, 32Kbps, 40Kbps          AAC-LC: 48Kbps at 16KHz</p>
Smart Codec	Manual(5ea area), WiseStreamIII(Based on AI engine)
Bitrate Control	H.264/H.265: CBR or VBR MJPEG: VBR
Streaming	Unicast(20 users) / Multicast Multiple streaming(Up to 5 profiles)
Protocol	IPv4, IPv6, TCP/IP, UDP/IP, RTP(UDP), RTP(TCP), RTCP, RTSP, NTP, HTTP, HTTPS, SSL/TLS, DHCP, FTP/SFTP, SMTP, ICMP, IGMP, SNMPv1/v2c/v3(MIB-2), ARP, DNS, DDNS, QoS, UPnP, Bonjour, LLDP, CDP, SRTP(TCP, UDP Unicast), MQTT
Application Programming Interface	ONVIF Profile S/G/T/M SUNAPI(HTTP API) Hanwha Vision Open Platform

<b>Security</b>	
OS / Firmware Protect	Encrypted firmware, Secure boot, Signed firmware
User authentication	Digest authentication, Prevent brute-force attack
Network authentication	IEEE 802.1X(EAP-TLS, EAP-LEAP, EAP-PEAP, MSCHAPv2)
Secure Communication	HTTPS, WSS(WebSocket Secure)
Access Control	IP-based access control
Data Protect	Encryption credentials, Encrypt compress for live recording file
Audit	Access / System / Event Log management
Device ID	Device certificate(Hanwha Vision Root CA)
Secure Storage	SDcard partition encrypt

## General

Design and specifications are subject to change without notice. The latest product information / specification can be found at [HanwhaVision.com](http://HanwhaVision.com).

Hanwha Vision is formerly known as Hanwha Techwin.

## QNO-C8013R

Webpage Language	English, Korean, Simplified Chinese, Traditional Chinese, French, Italian, Spanish, German, Japanese, Russian, Portuguese, Czech, Polish, Turkish, Dutch, Hungarian, Greek
Edge Storage	Micro SD/SDHC/SDXC 1slot 256GB
Memory	2GB RAM, 1GB Flash

### Environmental & Electrical

Operating Temperature / Humidity	-30°C~+55°C(-22°F~+131°F) / 0~100% RH(Condensing) * Start up should be done at above -30°C Humidity control /w Air vent
Storage Temperature / Humidity	-50°C~+60°C(-58°F~+140°F) / 0~95% RH
Certification	IP66, IK10
Input Voltage	PoE(IEEE802.3af, Class3)
Power Consumption	PoE: Max 8.1W, typical 4.0W

### Mechanical

Color / Material	White / Aluminum
RAL Code	RAL9003
Product Dimensions / Weight	ø93.4x245.8mm(ø3.68x9.68"), 890g(1.96 lb)
Compatible Conduit hole / Gangbox	Conduit hole : None Gangbox (SBO-090GP) : Single, Double, 4" Octagon (sold separately)

### Certifications & Standards

EMC	FCC 47 CFR 15 Subpart B Class A ICES-3(A)/NMB-3(A) CE/UKCA - EN 55032 Class A, EN 50130-4, EN 61000-3-2, EN 61000-3-3 VCCI CISPR 32 Class A RCM AS/NZS CISPR 32 Class A KS C 9832 Class A , KS C 9835
Safety	UL 62368-1, CAN/CSA C22.2 NO. 62368-1 IEC/EN 62471
Environment	IEC/EN 63000 IEC/EN 60529 IP66, IEC/EN 62262 IK10

### Compatible Models

Back Box	SBO-140BW, SBO-140WW
Ceiling Mount (Single Unit)	SBP-140CMT
Pole Mount	SBD-140PMW
Corner Mount	SBD-140KMB
Cabinet	SBP-150NBW
Gang Plate	SBO-090GP

### DORI (EN62676-4 standard)

Detect (25PPM/ 8PPF)	43.5m(142.71ft)
Observe (63PPM/ 19PPF)	17.5m(57.09ft)
Recognize (125PPM/ 38PPF)	8.7m(28.54ft)
Identify (250PPM/ 76PPF)	4.3m(14.27ft)

# QNO-C8013R

5MP AI IR Bullet Camera

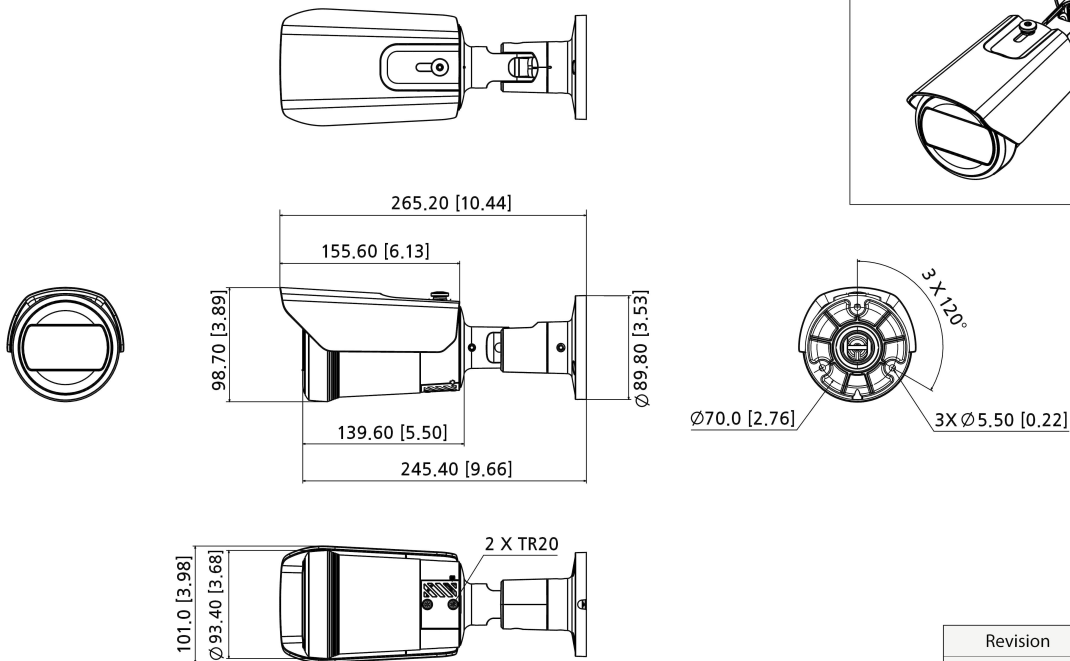
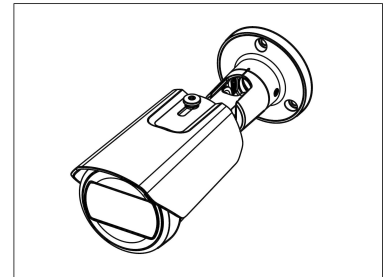


CAD

Unit:mm [inch]

## QNO-C8013R/C8023R BULLET CAMERA

Reference image



Revision	V1.0
Revision Date	24/12/20
Paper Size	A0
Unit	mm [inch]
Scale	1:1

©Hanwha Vision Co., Ltd. All right reserved.

Same Model\_QNO-C6083R/C8083R/C9083R