

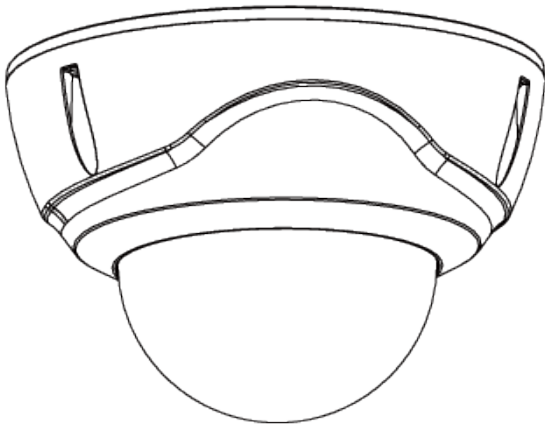
## Cloud Camera Dome Quick Installation Guide

### PRECAUTIONS

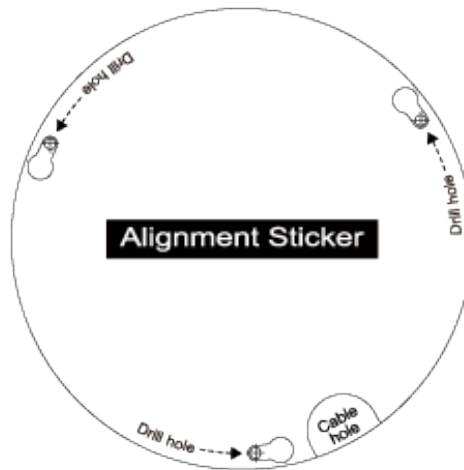
- The camera must not be installed in a location that is exposed to heavy vibration or possible impacts.
- The camera should be used in compliance with local laws and regulations.
- Do not install the camera on an unstable mount or surface.
- Do not disassemble the camera or perform maintenance when power is connected.
- Before installation, the camera should be stored in a dry and ventilated environment.
- Use only accessories that comply with the technical specifications of the camera.

Follow the [Quick Start Guide](#) for installing an OpenEye cloud camera and adding it to OpenEye Web Services.

### CONTENTS

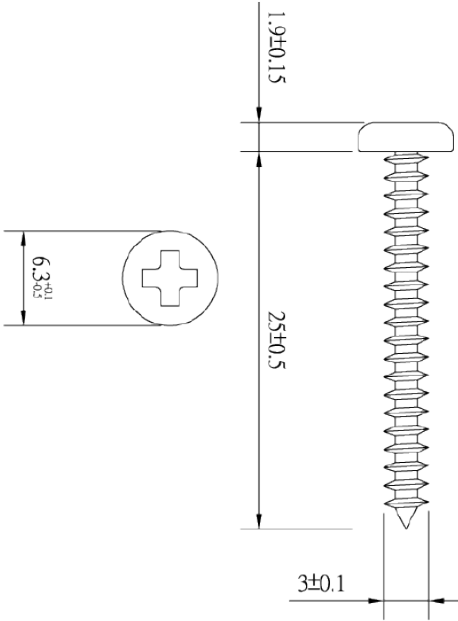


Dome Camera



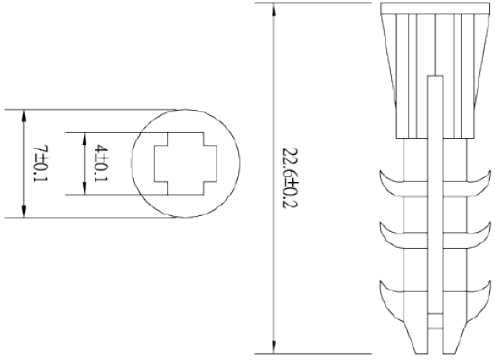
Mounting Template

**M3x25**



Screws

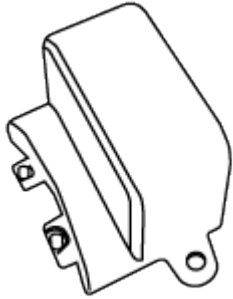
**3/16 x 7/8**



Screw Anchor Mounts

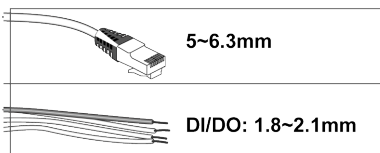
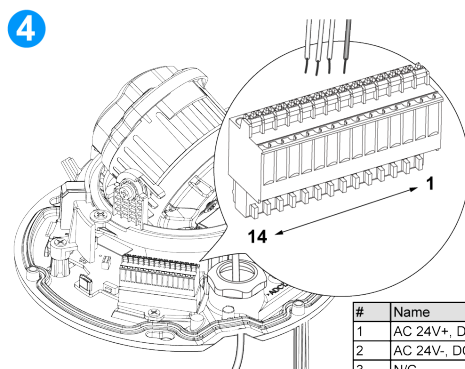
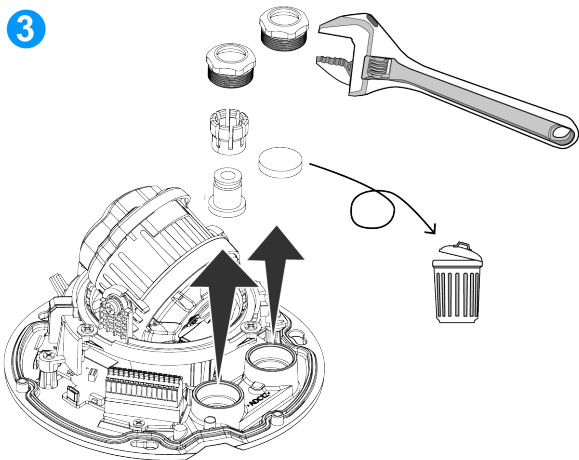
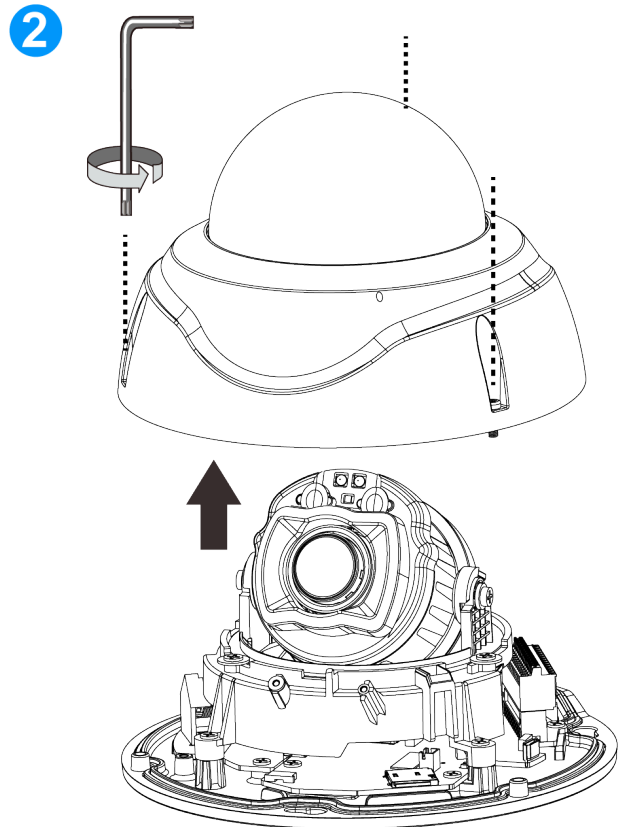
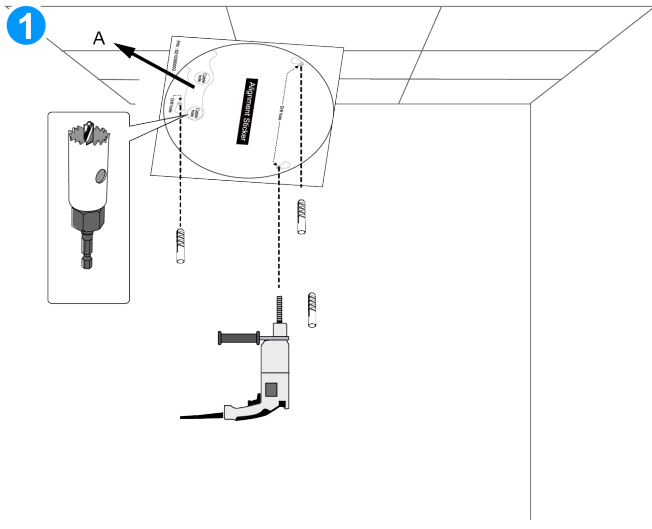


Torx Tool

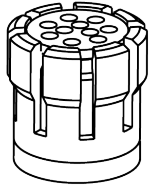
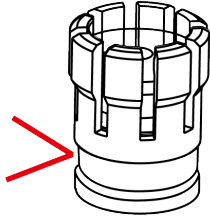


Conduit Adapter

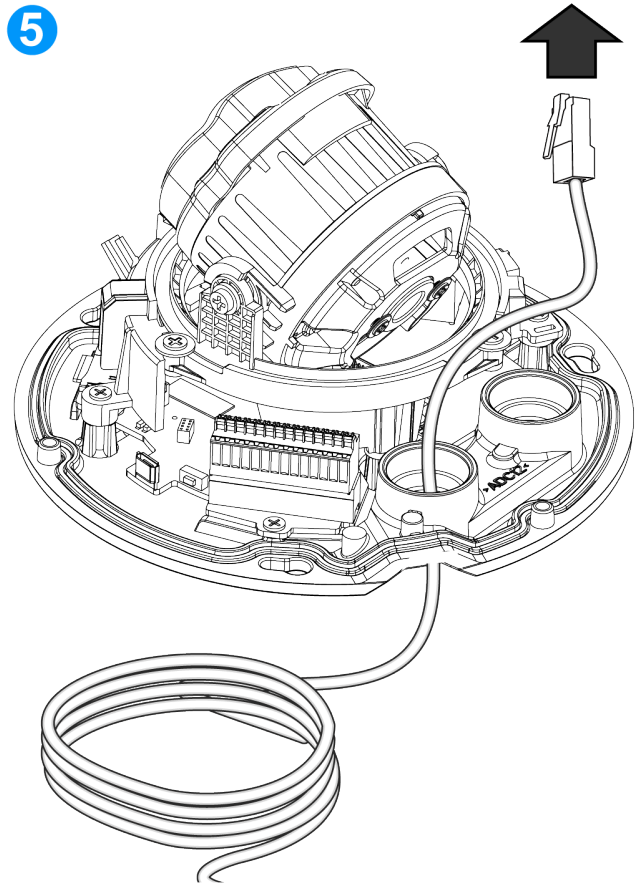
# INSTALLATION

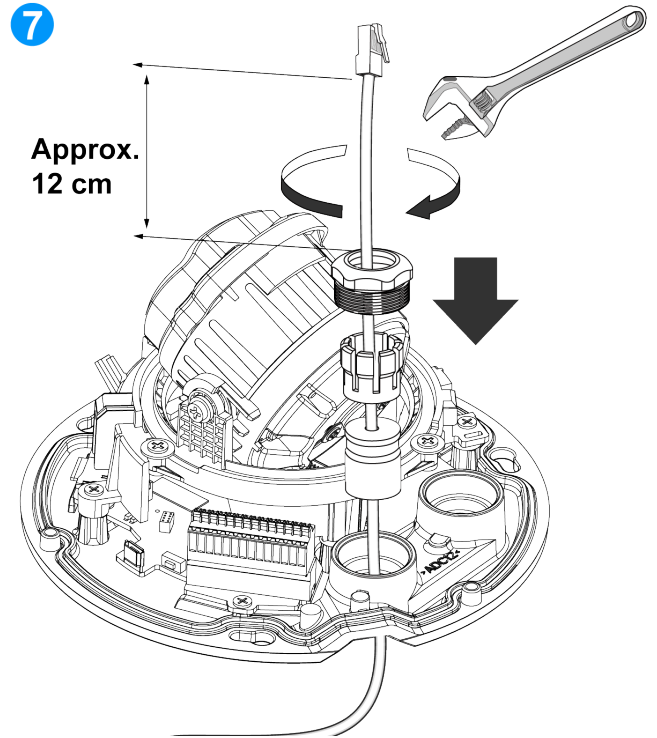
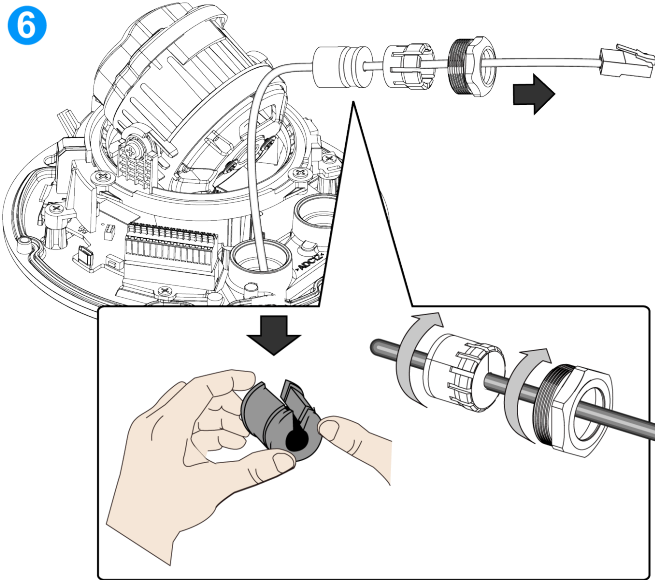


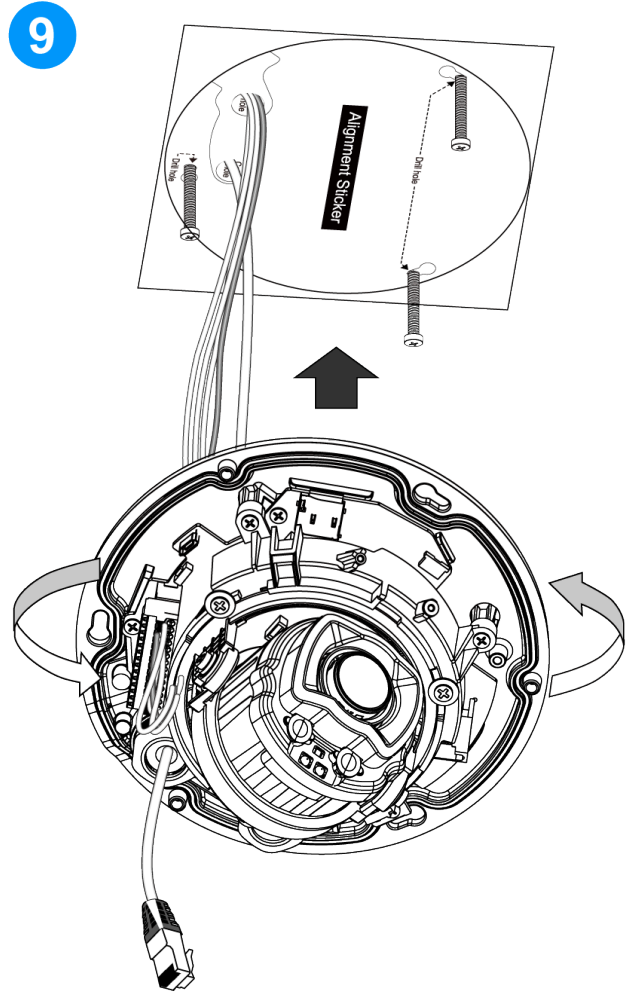
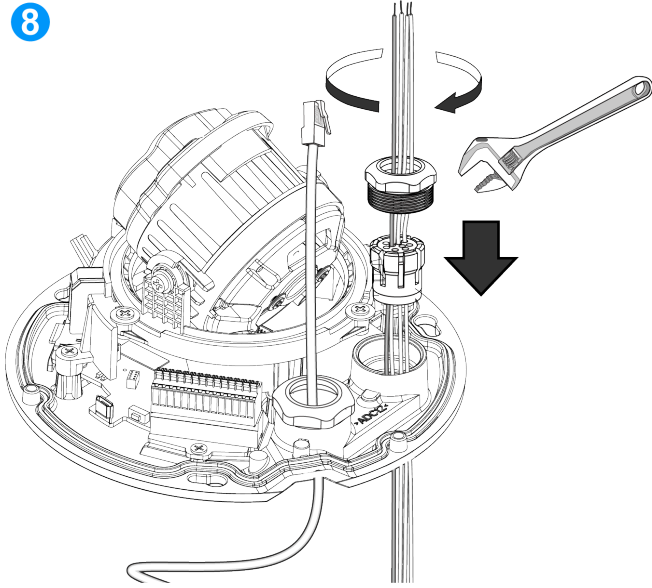
#	Name
1	AC 24V+, DC+
2	AC 24V-, DC Ground
3	N/C
4	N/C
5	DO-
6	DO+
7	DI1+
8	DI1-
9	DI2+
10	DI2-
11	LINE OUT-
12	LINE OUT+
13	LINE IN-
14	LINE IN+

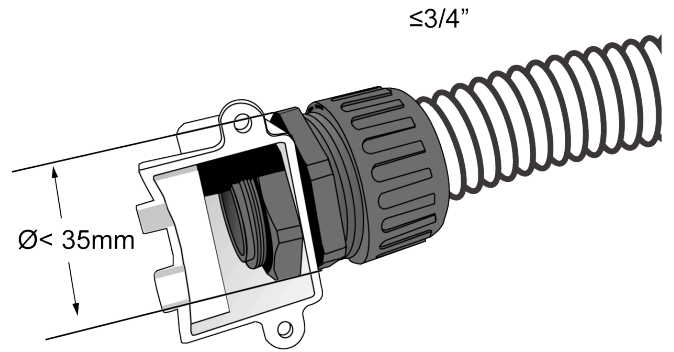
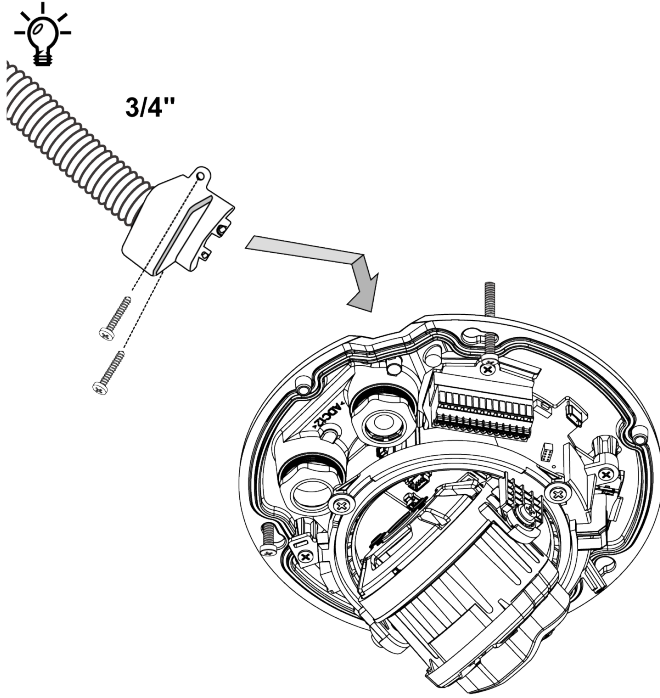


5

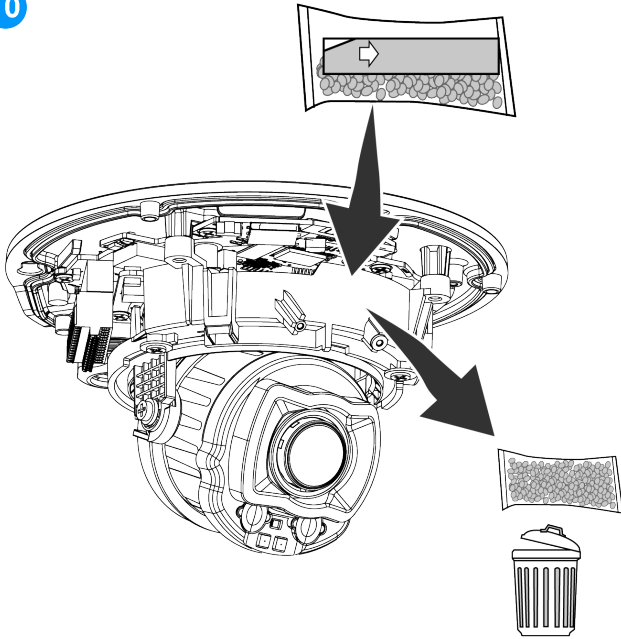








10



## Related Links

[OE-CC51D5](#)

[OE-CC51D8](#)