

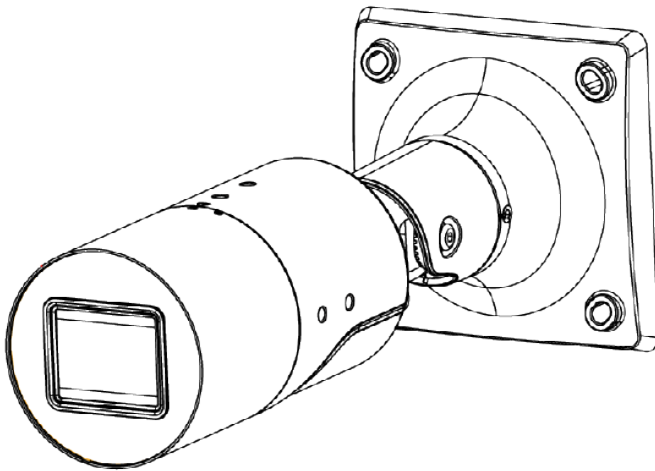
Cloud Camera Bullet Quick Installation Guide

PRECAUTIONS

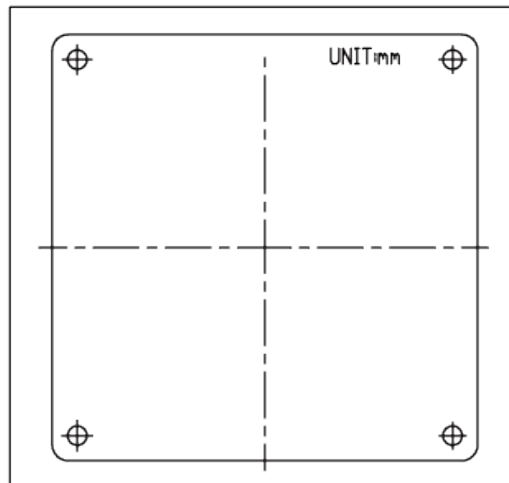
- The camera must not be installed in a location that is exposed to heavy vibration or possible impacts.
- The camera should be used in compliance with local laws and regulations.
- Do not install the camera on an unstable mount or surface.
- Do not disassemble the camera or perform maintenance when power is connected.
- Before installation, the camera should be stored in a dry and ventilated environment.
- Use only accessories that comply with the technical specifications of the camera.

Follow the [Quick Start Guide](#) for installing an OpenEye cloud camera and adding it to OpenEye Web Services.

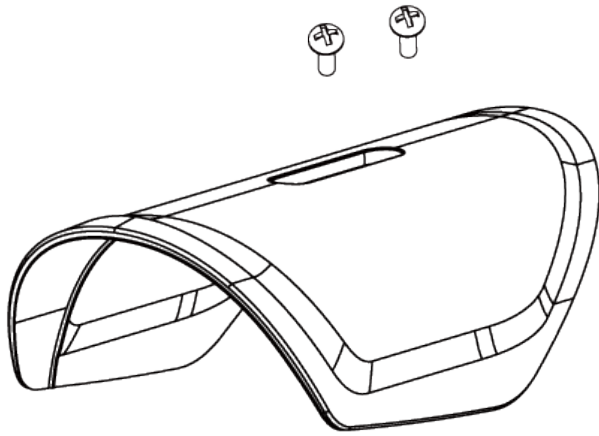
CONTENTS



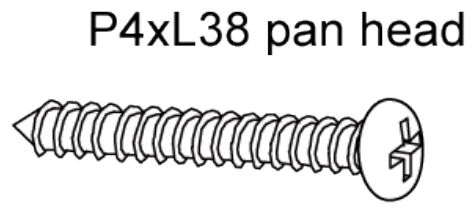
Bullet Camera



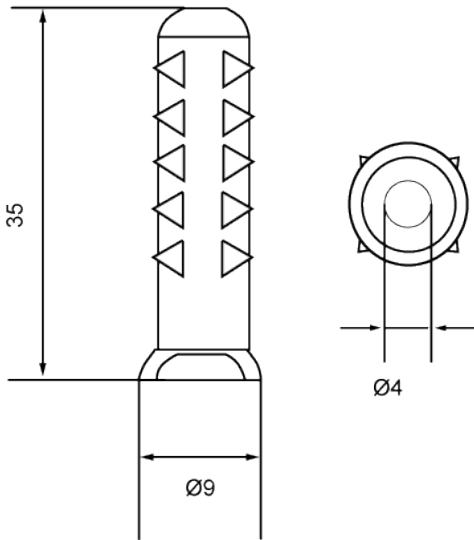
Mounting Template



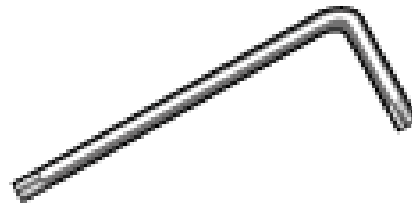
Sunshield and Screws



Mounting Screws

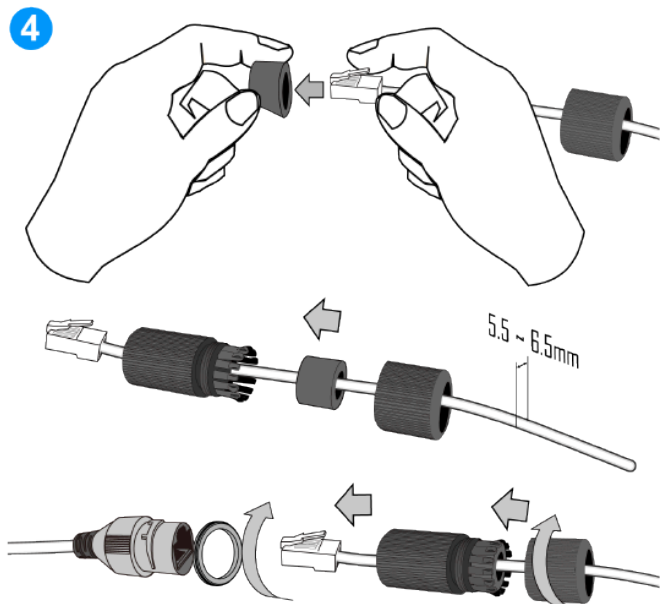
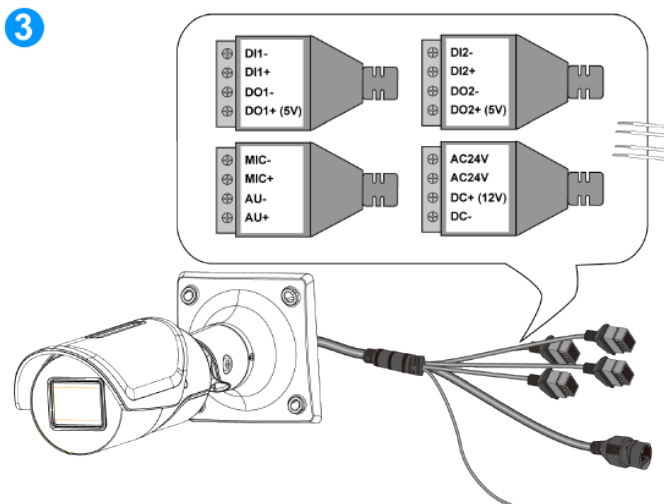
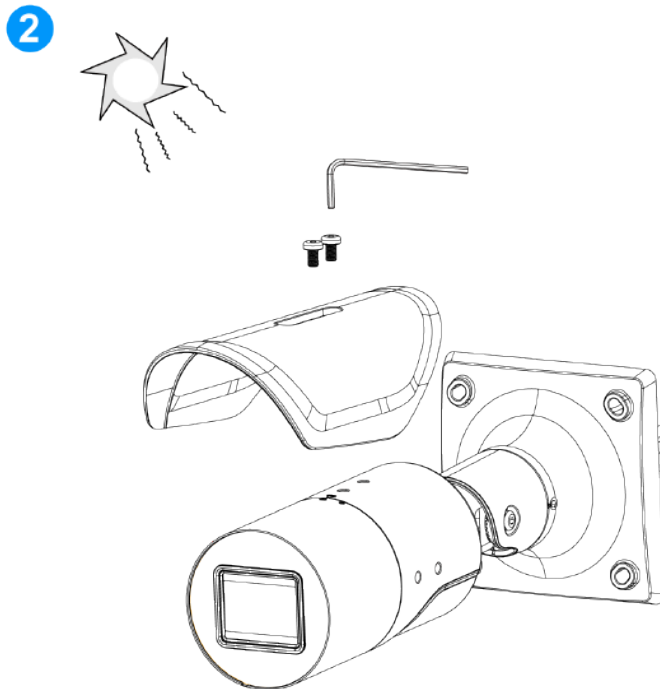
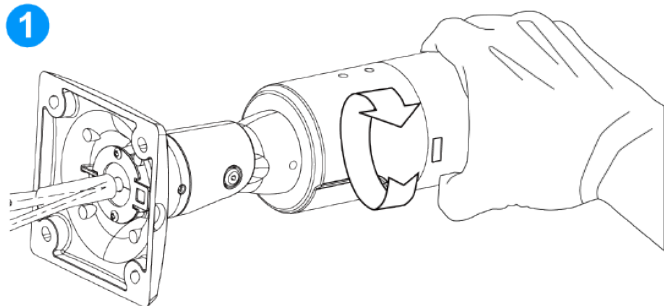


Screw Anchor Mount

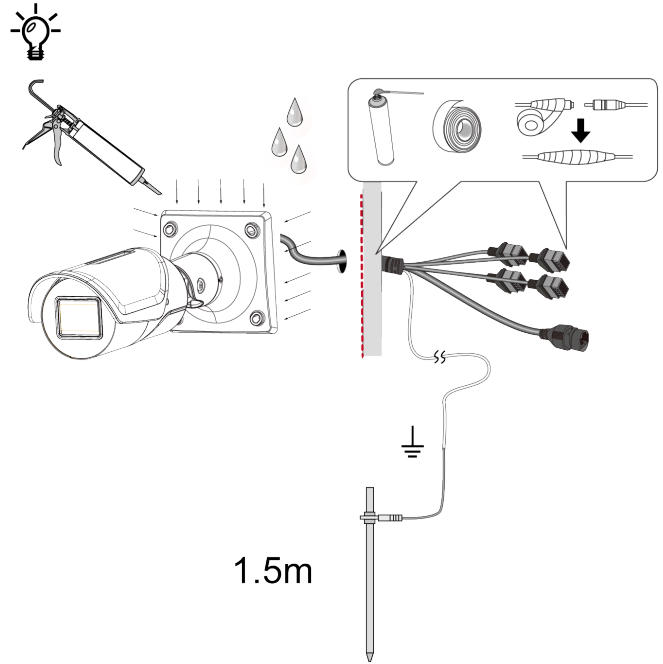
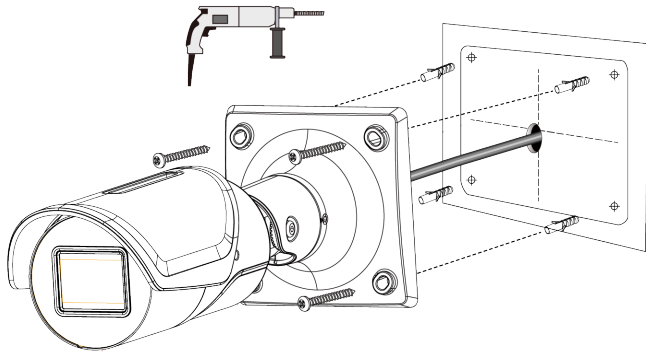


Torx Tool

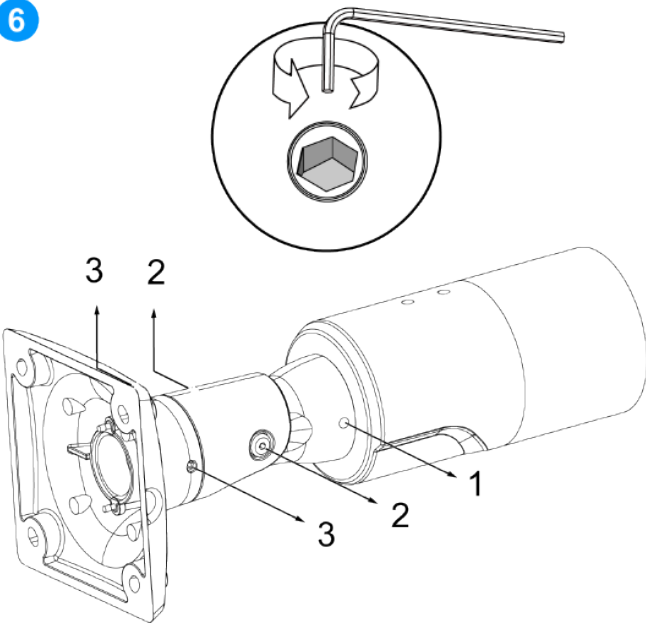
INSTALLATION



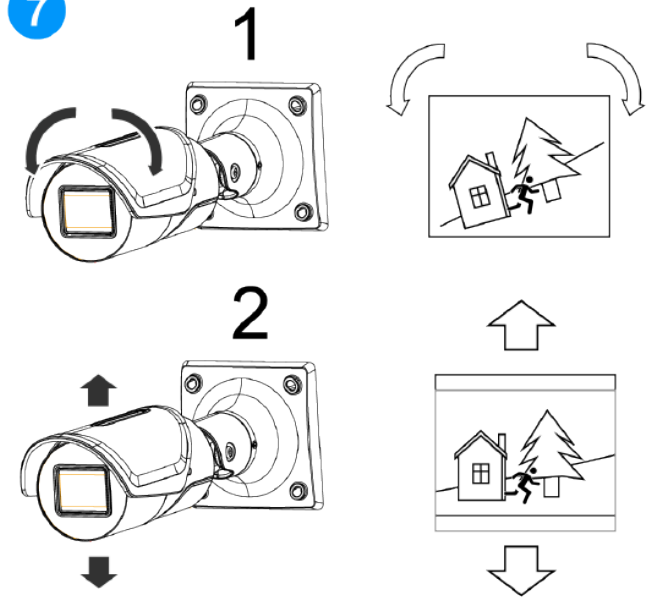
5



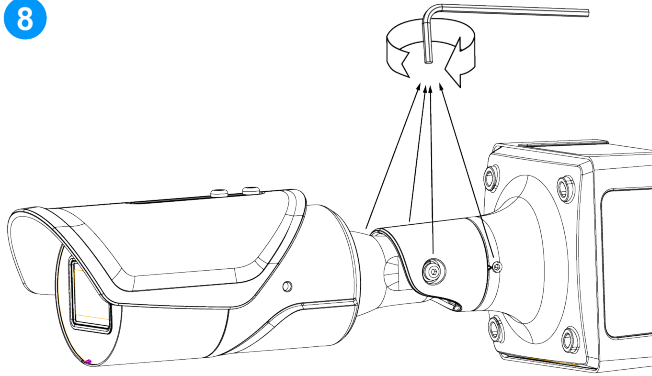
6



7



8



Related Links

[OE-CC52B5](#)