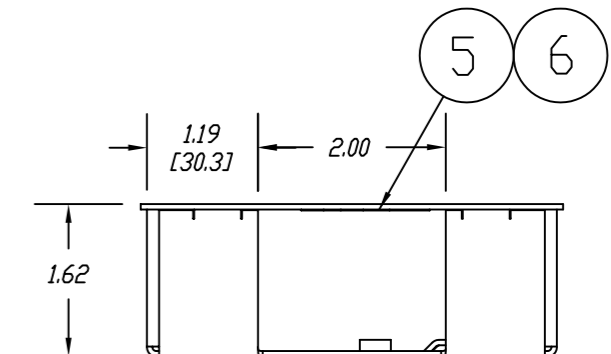
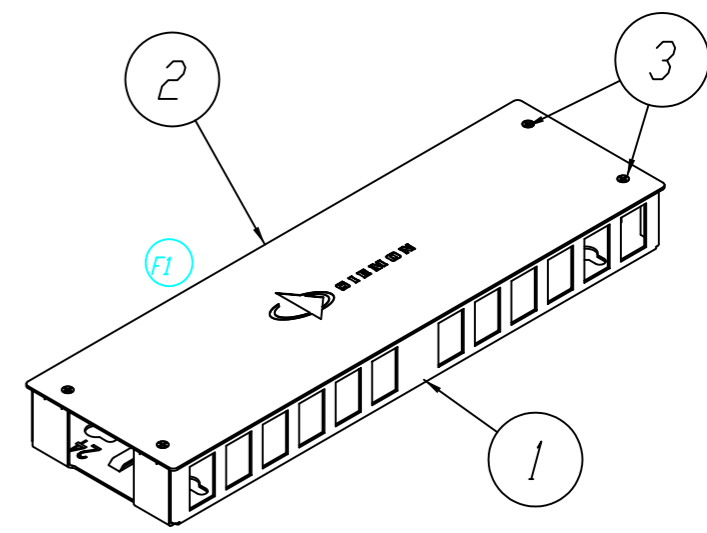
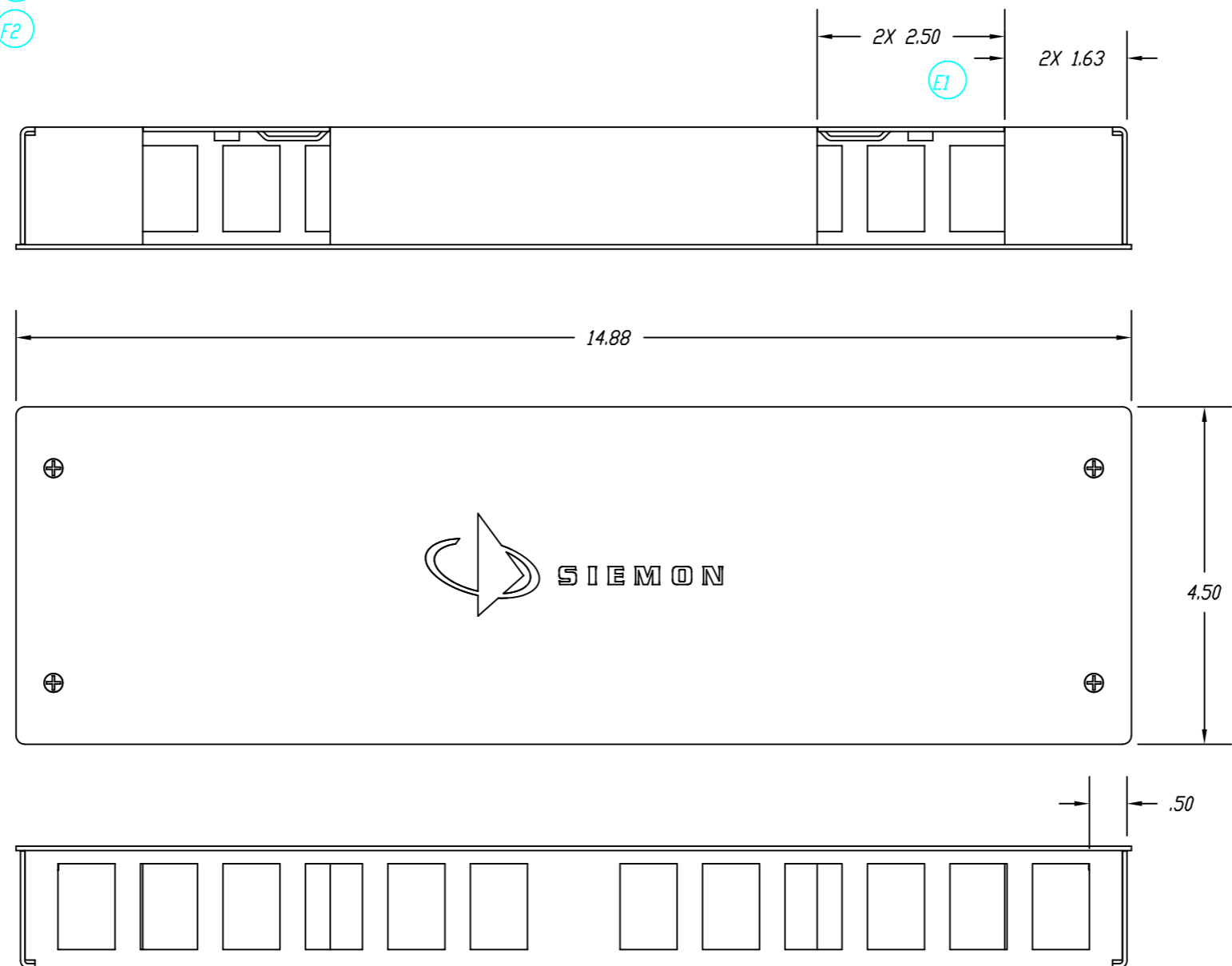


| ITEM NO. | DESCRIPTION | QTY |
|----------|---------------------|-----|
| 1 | ENCLOSURE, ZU-MX-24 | 1 |
| 2 | COVER, ZU-MX-24 | 1 |
| 3 | SCR, 6-32 X .312 | 4 |
| 4 | VELCRO, TIE WRAP | 4 |
| 5 | LABEL, HOLDER | 1 |
| 6 | LABEL, DESIGNATION | 1 |
| - | CTN, | 1/2 |

| REV. | ECD NO. | REVISIONS | BY | DATE | APVD. |
|------|---------|---|-----|----------|----------------|
| D | 6110 | DIADDED LABEL DESIGNATION & HOLDER | HHD | 3/14/01 | HHD 4/10/01 |
| E | 2079 | E1: UPDATED VIEW TO SHOW ADDITIONAL CUTOUT & LANCE ON BACK OF ENCL. | MJP | 12/22/08 | DG 01/28/09 |
| F | 2102 | F1: COVER UPDATED W/ NEW LOGO F2: REMOVE OBS P/N ZU-MX-24-001 | DRH | 05/15/09 | WP 09/17/09 |

D1
F2



F1

2. MATERIAL: 16 GAGE (.058 THK.) COLD ROLL STEEL, FINISH: BLACK ELECTRO COAT
 NOTES: 1. CONTACT A SIEMON COMPANY REPRESENTATIVE FOR ADDITIONAL INFORMATION.

| | | | | |
|--|--|--|--|--|
| PROPRIETARY INFORMATION THIS DOCUMENT CONTAINS PROPRIETARY INFORMATION OF THE SIEMON COMPANY AND IS DELIVERED ON THE EXPRESSED CONDITIONS THAT IT IS NOT TO BE DISCLOSED OR REPRODUCED IN WHOLE OR PART, OR USED FOR MANUFACTURING FOR ANYONE OTHER THAN THE SIEMON COMPANY WITHOUT ITS WRITTEN CONSENT AND THAT NO RIGHT IS GRANTED TO DISCLOSE OR SO USE ANY INFORMATION CONTAINED IN SAID DOCUMENT. | THE SIEMON COMPANY 101 SIEMON COMPANY DRIVE WATERTOWN, CT 06795 (860) 945-4200 www.siemon.com | | TITLE ZU-MX-24 ENCLOSURE | |
| | TOLERANCES .00 ±.02 .000 ±.010 .0000 - ANGLE 1° | | DWG. NO. B-9037100 | |
| | DRAWN BY H. DEPAOLA CHECKED BY B. SMITH ENGINEER J. BUCCIAGLIA | | DATE 12/21/00 01/03/01 01/04/01 | |
| | ANSI Y14.5M-1982 OR ISO 1101, 129 & 3040 DIMENSIONS IN SQUARE BRACKETS ARE [MM], ALL OTHER DIMENSIONS ARE INCHES. | | PART NO. ZU-MX-24-0515 | |
| | DO NOT SCALE | | REV. F SCALE 1:2 SHEET 1 OF 1 | |

DWG. NO. B-9037100 SH 1 REV. F

CUSTOMER USE DRAWING