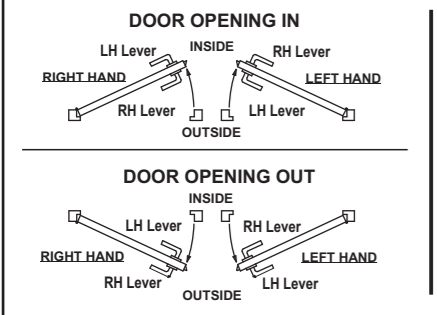
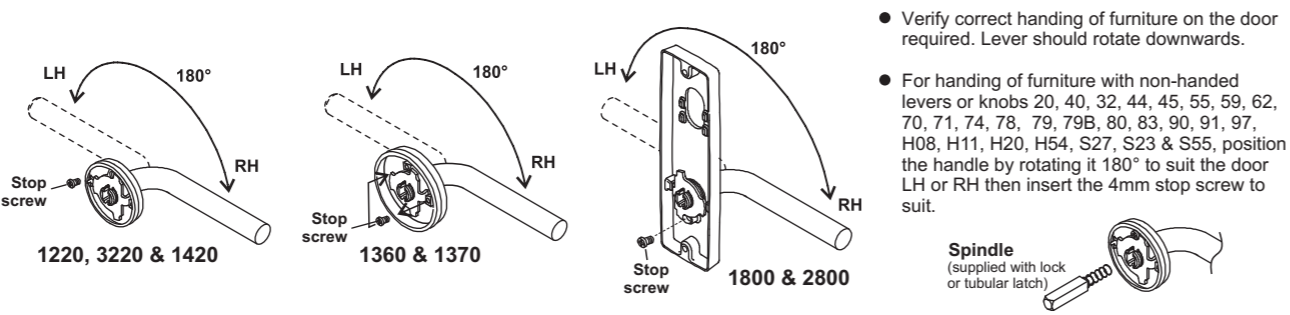




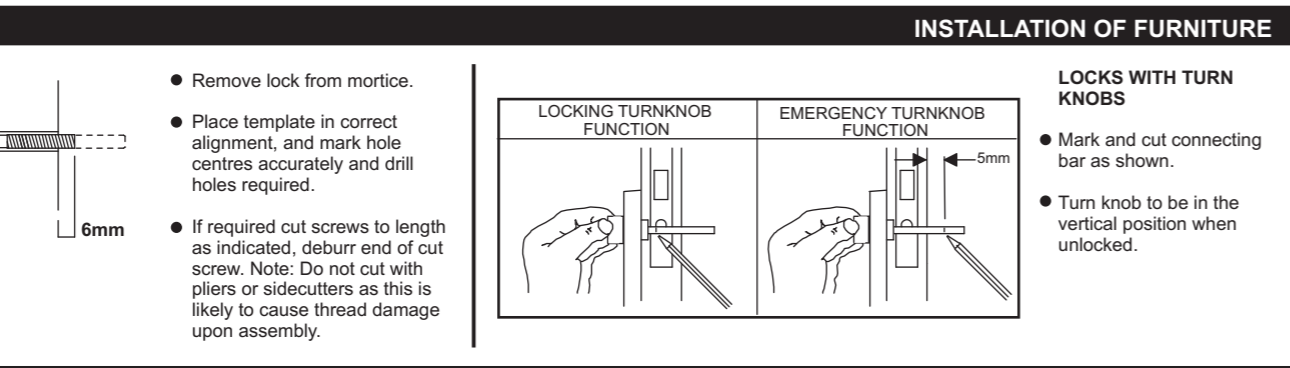
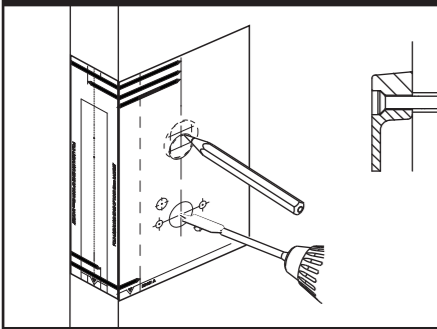
HAND OF FURNITURE ACCORDING TO ENGLISH PRACTICE



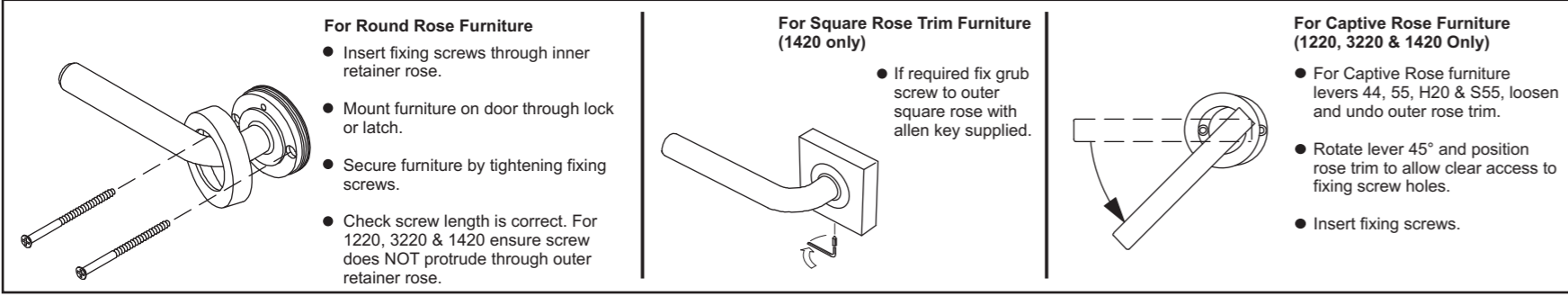
HANDING OF FURNITURE



INSTALLATION OF FURNITURE



FINAL ASSEMBLY



THIS IS A COMMON TEMPLATE FOR INSTALLATION OF LOCKWOOD COMMERCIAL DOOR FURNITURE WHEN USED WITH THE 3570 SERIES MORTICE LOCKS. NOTE: BEFORE DRILLING HOLES CHECK SUITABILITY WITH LOCKSET AND FURNITURE TO BE FITTED. FOR ALL OTHER DETAILS REFER TO LOCK MOUNTING INSTRUCTIONS.

