

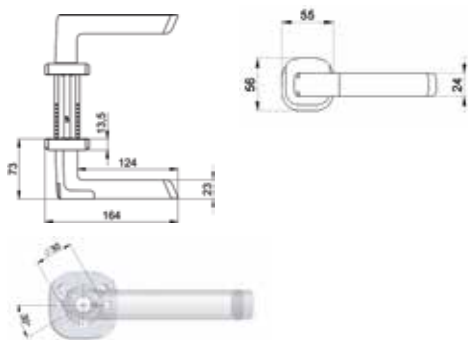
Aperio® H100

Access control handle - for use in indoor areas

ASSA ABLOY
Opening Solutions



The global leader in
door opening solutions



Product description

- Wireless Aperio® handle which can be integrated into any access control system via AADP protocol integration or via Aperio Wiegand Hub
- Used with Australian Mortice Lock (8mm) - in wooden, steel and tubular-frame doors (and glass doors with standard lock cases)
- Online or offline mode is selected in software during product initialisation (accessories PAP tool and radio dongle or cable required)
- When online, communication from hub to the Online Access Control System (addressable) - access decision in the EAC system
- All electronics and functionality are in the outside part of the handle
- Outside handle rotates freely - inside handle always engaged
- LED for status visualisation
- Discrete handle with minimum footprint and contemporary design

Scope of delivery

- 1 pair of handles with battery (Lithium CR123A) and installation instructions
- Cuttable fixing screws
- 8mm spindle
- Accessories pack

Technical data - Access control handle

	Authentication	One level of authentication - CARD only
	Approvals	CE, EN1906: 26-B010B RCM
	Dimension	55 x 55 x 13,5 mm (Rose dimensions H x W x D)
	Version	Interior doors
	Handle	L-Shape, U-Shape through adapter (accessory)
	Surface	Satin chrome
	Spindle	8mm Spindle
	Door leaf thickness	Between 35-80mm but with accessory "10mm distance ring" thinner doors can be used
	Battery	1 x Lithium CR123A
	Battery life (Based on reader type)	High Frequency Multiclass: 30 openings per day for 50 months
	Radio standard	IEEE 802.15.4 (2.4 GHz)
	Encryption (radio communication)	AES 128 bits
	Distance between the RFID-Reader and hub	Up to 25m depending on the building environment
	Class of protection	IP42
	Operating temperature range	0°C to 55°C
	Relative humidity	< 85% (condensation-free)
	Status	LED (red/green/orange)
	RFID Technologies (Based on reader type)	High Frequency Multiclass : iCLASS®/ISO 14443B; iCLASS® Seos; MIFARE™ Classic; MIFARE™ Plus; MIFARE™ DESFire™ EV1
	RFID reading	UID / Sector / Block / Application / File
	RFID Reading range	< 4 cm
	Communication interfaces	Communication via radio (USB dongle) or USB type B adapter (accessory)
	Offline and Online operation modes	Aperio® Online; Aperio® Offline; Aperio® Standard OSS Offline

Head Office
ASSA ABLOY Australia Pty Limited
235 Huntingdale Road
Oakleigh Victoria 3166
Australia
+61 1300 562 587

www.assaabloy.com.au