

## AE-MD5043-SD Series Mobile Video Recorder

AE-MD5043-SD series DVR is designed for vehicle video and audio management using embedded Linux operating system. It supports the mixed access of HDTV, AHD and CVBS cameras in HIK-wiring-sequence, with video and audio encoding/decoding, 4G wireless network transmission, satellite positioning, data secure storage, alarm triggering and other functions. It also provides channel selection and coding scheme, which especially suitable for the video and audio monitoring needs for scenes like taxis, muck trucks, logistics vehicles etc. To meet the needs of long - time video recording, it adopts dual SD card for storage.



### ▪ Application

The anti-corrosion performance level of AE-MD5043-SD series DVR is standard. It is suitable for regular scenarios only and might be damaged when exposed to corrosive environment. Description of anti-corrosion performance level:

Anti-corrosion Performance	Application
Professional	Coastal areas, wharfs, ports, ships and chemical factories, etc.
High	Areas exposed to acid rain; areas over 1.24 miles (1 km) away from the coastline
Standard	Regular environment with little corrosion exposure

### ▪ Key Feature

- Access of 4 HD TVI cameras with up to 1080p resolution.
- Support 1 IPC (please contact the product manager for model selection)
- 2 SD cards accessible. Up to 512 GB capacity for each.
- Support recording backup on redundant SD cards.
- User-friendly GUI providing easy and flexible operations.
- Built-in 4G module and Wi-Fi module providing flexible data transmission solutions. Only for product models that support 4G& Wi-Fi.
- Built-in GPS module precisely positioning the vehicle via the satellite and recording the location information in the video stream.
- Information collection interfaces collecting driving information such as left/right turn, braking, reversing, etc.
- Specialized aviation connectors ensuring signal stability.
- Shutdown delay (0 h to 6 h) and 24-hour scheduled startup/shutdown.
- Build-in super-capacitor prevents the mobile DVR from damage caused by sudden power outage.
- Wide-range power input (+9 VDC to +32 VDC).
- Power-off protection prevents key data loss.
- Aluminum die-cast chassis with no fan design well adaptable to working environment.
- Software-based firewall supported.
- Support accessing via WEB browser.
- I Series Support for AI feature: ADAS, BSD-R and DSM.



## ▪ Specification

Model		AE-MD5043-SD
Video/Audio Input	Analog Camera	4-ch HIK wiring sequence analog camera, Max. 1080P
	IPC Camera	Support 1 IPC (please contact the product manager for model selection)
	Two-way Audio	1, integrated in EXT.DEV interface
Video/Audio Output	Video Output	Main output: 1, integrated in EXT.DEV interface
	Audio Output	1
Encoding/Decoding Parameters	Video Compression	H.264/H.265
	Encoding Resolution	Main stream: 1080P/720P/WD1/4CIF Sub-stream: 720P/WD1/4CIF/2CIF/CIF
	Frame Rate	<ul style="list-style-type: none"> <li>● PAL: 1 to 25fps@1080P; NTSC: 1 to 30 fps@1080P;</li> <li>● PAL: 1 to 25 fps@720P; NTSC: 1 to 30 fps@720P;</li> </ul>
	Audio Compression	G.711a/G.711u/G.722.1/G.726
	Stream Type	Video, video & audio
	Audio Bitrate	16 Kbps
	Dual Stream	Supported
Storage	SD Card	2 × SD card, up to 512 GB (not for baseline. Note the SD card capacity when ordering)
Wireless Network	4G Dialing	1 × 4G card slot, 1 × FAKRA antenna European Baseline: Supported region or country: <ul style="list-style-type: none"> <li>● Southeast Asia: Hong Kong China/Taiwan China/Indonesia/India/Thailand/Laos/Malaysia/Singapore/South Korea/Vietnam</li> <li>● West Asia: Iran/Israel/UAE</li> <li>● Europe: Germany/France/England/Italy/Belgium/Netherlands/Spain/Russia/Ukraine/Turkey</li> <li>● Africa/Middle East: South Africa/Nigeria/Egypt</li> </ul> Supported frequency band: <ul style="list-style-type: none"> <li>● LTE-FDD: B1/B3/B5/B7/B8/B20</li> <li>● LTE-TDD: B38/B40/B41</li> <li>● UMTS/HSDPA/HSPA+: B1/B5/B8</li> <li>● GSM/GPRS/EDGE: 900/1800MHz</li> </ul> American Baseline: Supported region or country: <ul style="list-style-type: none"> <li>● Southeast Asia: Hong Kong China/Taiwan China/Indonesia/India/Thailand/Laos/Malaysia/Singapore/South Korea/Vietnam</li> <li>● West Asia: Iran/Israel/UAE</li> <li>● Oceania: Australia/New Zealand plus Taiwan</li> <li>● South America: Brazil/Argentina/Chile/Peru/Colombia</li> </ul> Supported frequency band: <ul style="list-style-type: none"> <li>● TE-FDD: B1/B2/B3/B4/B5/B7/B8/B28/B66</li> <li>● LTE-TDD: B40</li> <li>● UMTS/HSDPA/HSPA+: B1/B2/B5/B8</li> <li>● GSM/GPRS/EDGE: 850/900/1800/1900MHz</li> </ul> Notes: Only for product models that support 4G
	Wi-Fi	WI module: 2.4G WIFI, 1 × FAKRA antenna WI58 module: 5.8G WIFI, 1 × FAKRA antenna, 1 × WIFI SMA antenna WIFI Mode: WEP, WPA-personal, WPA2-personal, None Notes: Only for product models that support Wi-Fi

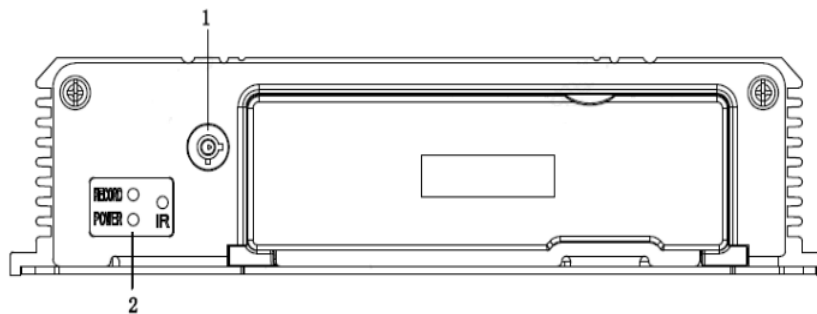
<b>Positioning</b>	GNSS (Global Navigation Satellite System)	GPS (Global Positioning System) & GLONASS, 1 × FAKRA antenna											
	<b>External Interface</b>	<table border="1"> <tr> <td>Network Interface</td> <td>Rear panel :1 ×10M/100M RJ45</td> </tr> <tr> <td>Serial Port</td> <td>1 × RS-232, 1 × RS-485 (integrated in EXT.DEV interface)</td> </tr> <tr> <td>USB Interface</td> <td>Front panel: 1 × USB 2.0</td> </tr> <tr> <td>Sensor-in</td> <td>4 high/low level signal inputs</td> </tr> <tr> <td>Alarm Input</td> <td>4 high/low level signal inputs, 1 pulse signal input, 1 BUTTON input</td> </tr> <tr> <td>Alarm Output</td> <td>2 relay signal outputs</td> </tr> </table>	Network Interface	Rear panel :1 ×10M/100M RJ45	Serial Port	1 × RS-232, 1 × RS-485 (integrated in EXT.DEV interface)	USB Interface	Front panel: 1 × USB 2.0	Sensor-in	4 high/low level signal inputs	Alarm Input	4 high/low level signal inputs, 1 pulse signal input, 1 BUTTON input	Alarm Output
Network Interface	Rear panel :1 ×10M/100M RJ45												
Serial Port	1 × RS-232, 1 × RS-485 (integrated in EXT.DEV interface)												
USB Interface	Front panel: 1 × USB 2.0												
Sensor-in	4 high/low level signal inputs												
Alarm Input	4 high/low level signal inputs, 1 pulse signal input, 1 BUTTON input												
Alarm Output	2 relay signal outputs												
<b>General</b>	Operating Method	Mouse, IR remote control, Web control, Touch screen											
	G-sensor	Built-in											
	Power Supply	+9 to +32 VDC											
	Consumption	<ul style="list-style-type: none"> <li>● Standby: ≤ 0.5 W</li> <li>● Full load: ≤ 45 W</li> </ul> Note: Without peripheral and storage media ≤ 20 W											
	Working Temperature	-20 °C to +60 °C (-4 °F to +140°F)											
	Working Humidity	10% to 95%											
	Device Dimension (W × D × H)	184 × 134.4 × 44 mm (7.2 × 5.29 × 1.73 inch)											
	Package Dimension (W × D × H)	250×210×160mm (9.84 ×8.27 ×6.30 inch)											
	Device Weight (Without Storage Media)	0.65 kg (1.43 lb)											
	Package Weight (Without Storage Media)	1.382 kg (3.047 lb)											
<b>Approval</b>	EMC	FCC (47 CFR Part 15, Subpart B);CE-EMC (EN 50498: 2010); CE-EMC (EN 55032: 2015+A1:2020, EN 50130-4: 2011+A1:2014)											
	Safety	CB (IEC 62368-1:2018); CE-LVD (EN IEC 62368-1:2020 + A11:2020)											
	Environment	CE-RoHS (2011/65/EU and amendment 2015/863/EU)											
	Automotive and Railway	EN50155((EN 50155:2021 clause 13, EN 50121-3-2:2016+A1:2019, EN45545-2:2020; EN50153:2014+A1:2017+A2:2020; EN ISO:13732-1:2008;EN61373:2010); EN45545 (EN 45545-2:2020 h13); E-MARK (ECE R10)											

## ▪ Available Model

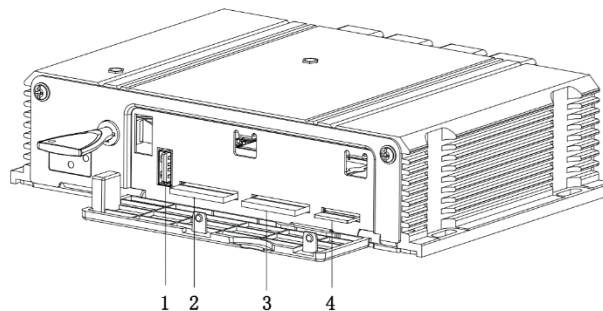
- AE-MD5043-SD, (supports none communication module)
- AE-MD5043-SD/GLF, (supports 4G dialing)
- AE-MD5043-SD/GLF/WI58, (supports 4G dialing , 5.8G Wi-Fi)
- AE-MD5043-SD/GLF/WI, (supports 4G dialing , 2.4G Wi-Fi )
- AE-MD5043-SD/I, (supports none communication module, support for AI feature)
- AE-MD5043-SD/I/GLF, (supports 4G dialing, support for AI feature)
- AE-MD5043-SD/I/GLF/WI58, (supports 4G dialing , 5.8G Wi-Fi, support for AI feature)
- AE-MD5043-SD/I/GLF/WI, (supports 4G dialing , 2.4G Wi-Fi, support for AI feature )

## Physical Interface

### Front Panel

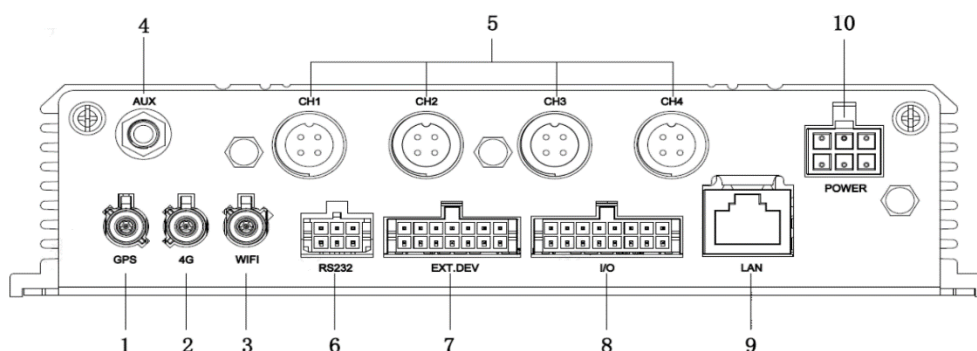


No.	Name	No.	Name
1	Front panel lock	2	PWR: Power indicator
			REC: Record indicator
			IR: Infrared receiving Indicator



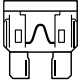
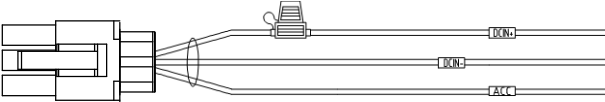
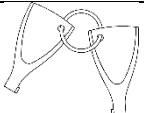
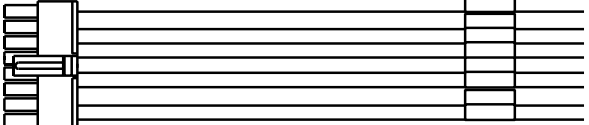
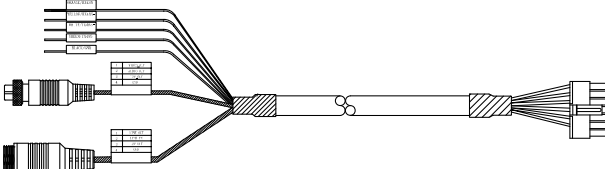

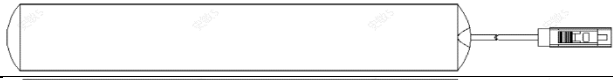

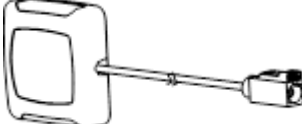
No.	Name	No.	Name
1	USB 2.0 interface	3	SD card slot
2	SD card slot	4	SIM card slot

### Rear Panel

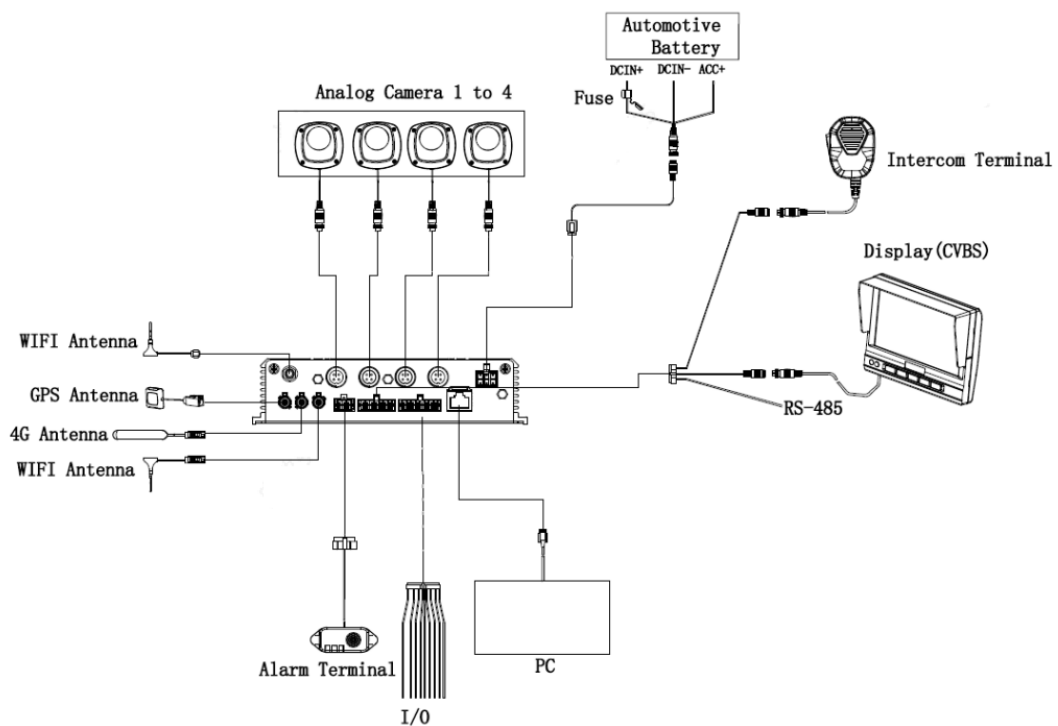


No.	Name	No.	Name
1	GNSS antenna interface	6	RS-232 interface
2	4G dialing antenna interface	7	RS-485 communication interface, two-way audio interface and CVBS video output
3	Wi-Fi 2.4G&5.8G antenna interface	8	Alarm in, alarm out and sensor-in
4	Wi-Fi 5.8G antenna interface	9	Network interface
5	Analog camera input	10	Power supply

▪ **Packing List**

Description	Quantity	Picture	Note
Fuse	1		
Power cord	1		
Key	1		
Alarm line	1		
Extension cable	1		
3G/4G antenna	1		For GLF module.
Wi-Fi antenna (2.4G&5.8G)	1		For WI&WI58 module.
Wi-Fi antenna (5.8G)	1		For WI58 module.
GPS antenna	1		For module with GPS module.

**Peripheral Connection**



Distributed by

**HIKVISION®****Headquarters**

No.555 Qianmo Road, Binjiang District,  
Hangzhou 310051, China  
T +86-571-8807-5998  
overseasbusiness@hikvision.com

**Hikvision USA**  
T +1-909-895-0400  
sales.usa@hikvision.com

**Hikvision Australia**  
T +61-2-8599-4233  
salesau@hikvision.com

**Hikvision India**  
T +91-22-28469900  
sales@pramahikvision.com

**Hikvision Canada**  
T +1-866-200-6690  
sales.canada@hikvision.com

**Hikvision Thailand**  
T +662-275-9949  
sales.thailand@hikvision.com

**Hikvision Europe**  
T +31-23-5542770  
sales.eu@hikvision.com

**Hikvision Italy**  
T +39-0438-6902  
info.it@hikvision.com

**Hikvision Brazil**  
T +55 11 3318-0050  
Latam.support@hikvision.com

**Hikvision Turkey**  
T +90 (216)521 7070- 7074  
sales.tr@hikvision.com

**Hikvision Malaysia**  
T +601-7652-2413  
sales.my@hikvision.com

**Hikvision UK & Ireland**  
T +01628-902140  
sales.uk@hikvision.com

**Hikvision South Africa**  
Tel: +27 (10) 0351172  
sale.africa@hikvision.com

**Hikvision France**  
T +33(0)1-85-330-450  
info.fr@hikvision.com

**Hikvision Kazakhstan**  
T +7-727-9730667  
nikia.panfilov@hikvision.ru

**Hikvision Vietnam**  
T +84-974270888  
sales.vt@hikvision.com

**Hikvision UAE**  
T +971-4-4432090  
salesme@hikvision.com

**Hikvision Singapore**  
T +65-6684-4718  
sg@hikvision.com

**Hikvision Spain**  
T +34-91-737-16-55  
info.es@hikvision.com

**Hikvision Tashkent**  
T +99-87-1238-9438  
uzb@hikvision.ru

**Hikvision Hong Kong**  
T +852-2151-1761  
info.hk@hikvision.com

**Hikvision Russia**  
T +7-495-669-67-99  
saleru@hikvision.com

**Hikvision Korea**  
T +82-(0)31-731-8817  
sales.korea@hikvision.com

**Hikvision Poland**  
T +48-22-460-01-50  
info.pl@hikvision.com

**Hikvision Indonesia**  
T +62-21-2933759  
Sales.Indonesia@hikvision.com

**Hikvision Colombia**  
sales.colombia@hikvision.com