

**NEW ABLOY<sup>®</sup> EL404**  
**ELECTROMECHANICAL LOCK FOR**  
**NARROW STILE DOORS**  
**EUROPROFILE DIN RANGE**



**ABLOY<sup>®</sup> EL404** lock case with double action bolt features an innovative adjustable backset technique.

## TECHNICAL DETAILS

|                     |   |
|---------------------|---|
| Operating voltage   | 12-24 VDC (-10%/+15%, stab.)  |
| Current consumption | max 550 mA (12 VDC)<br>idle 240 mA (12 VDC)<br>max 270 mA (24 VDC)<br>idle 110mA (24 VDC) |
| Temperature range   | -20°C...+60°C   |
| Bolt throw          | 14,5 mm   |
| Adjustable backset  | 25, 30, 35 mm   |
| Forend              | 25 mm   |

## FINISH

Chrome plated forend

## CYLINDERS

- Europrofile DIN type;  
**ABLOY® NOVEL**, **ABLOY® DISKLOCK PRO**,  
**ABLOY® PROTEC**,  
ASSA, RUKO, TrioVing or other.

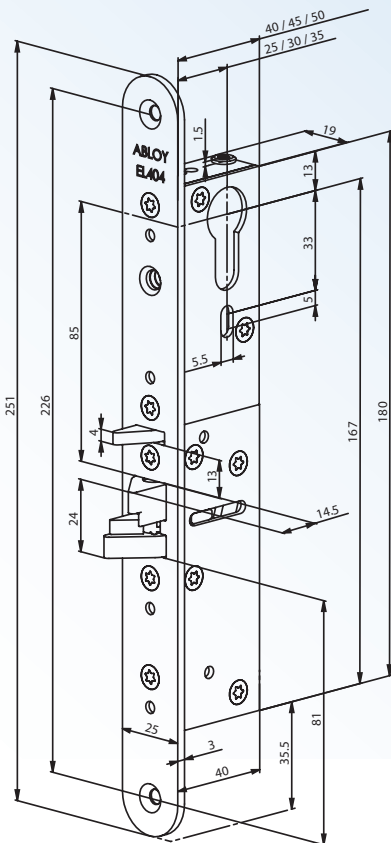
## PACKAGE

Lock case, strike plate EA307, connection plugs, fixing screws, lock case manual

## STANDARDS

|                   |                       |
|-------------------|-----------------------|
| EN 61000-6-3:2007 | EMC                   |
| EN 61000-6-1:2007 | EMC                   |
| EN12209:2004      | Mechanical resistance |

## DIMENSIONS



## APPLICATION

**ABLOY® EL404** is typically used in the exterior doors of apartment buildings and interior doors of business premises.

The lock includes a new double action bolt construction for durable and easy use and they offer a cost-effective way of electric locking that is highly advantageous in comparison to e.g. electric strike.

**ABLOY® EL404** can be controlled by a variety of electrical impulse generating equipment such as card reader, keypad or timer. The lock can be connected to automatic swing door operators and is an excellent solution for use in access control systems. Frame mounting above the door is also possible.

Because of its unique symmetrical trigger bolt **ABLOY® EL404** can be used in swinging doors.

The locks can not be used in fire rated doors.

## FUNCTION

Door can be opened by pushing or pulling when electric control is switched on.

**ABLOY® EL404** can be configured to operate also fail unlocked, when the door can be opened by pushing or pulling when the electric control is switched off.

Lock can always be opened by key or by thumbturn and the lock deadlocks automatically when the door closes.

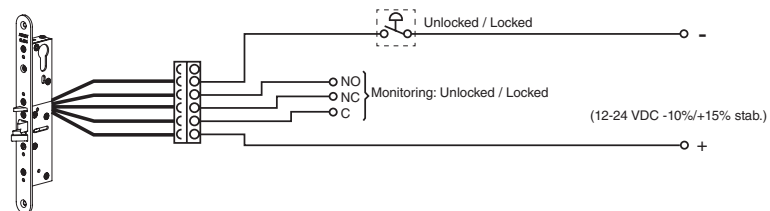
New functional features

- Adjustable backset
- Non-handed, symmetrical trigger bolt
- Immediate release of deadlocking
- Configurable fail locked / fail unlocked
- Wide operating voltage

**ABLOY® EL404** is not recommended for use in doors with seal force.

In swinging doors the lock may be locked only when the door has completely stopped in the closed -position.

## WIRING PRINCIPLE



## CYLINDERS AND ACCESSORIES (Please order separately)

|                     | ABLOY® NOVEL | ABLOY® PROTEC | ABLOY® DISKLOCK PRO | STRIKE PLATES               | CABLES                      | LEAD COVERS    |
|---------------------|--------------|---------------|---------------------|-----------------------------|-----------------------------|----------------|
| Single              | CY321U       | CY321N        | CY321D              | EA308<br>4613<br>4614       | EA211 (6 m)<br>EA221 (10 m) | EA280<br>EA281 |
| Double              | CY322U       | CY322N        | CY322D              |                             |                             |                |
| Single w/ thumbturn | CY323U       | CY323N        | CY323D              | For swinging doors<br>EA311 |                             |                |

This document may not be used in the installation of a lock. Drilling and wiring diagrams and installation instructions are included in the lock case manual, which is included in each lock case package.

We reserve the right to make alterations to the products described in this leaflet.

