

# XNV-C9083R

4K AI IR Vandal Dome Camera

Network



FC |  | CE | EAC

## Key Features

- 4K resolution
- 4.4~9.3mm (2.1x) motorized varifocal
- Color: 0.04 Lux (F1.3, 1/30sec, 30IRE), 0 Lux (IR LED on)
- Maximum 30 fps (H.265/H.264)
- WiselR: IR viewable length 40 m (131.23 ft)
- Day & Night (ICR), extremeWDR (120 dB)
- Hard-coated dome bubble
- WiseNR II (Based on AI engine), WiseStreamIII (Based on AI engine)
- Analytics events based on AI engine (NPU) : Object detection (Person/Face/Vehicle - car, truck, bus, bicycle, motorcycle/License plate),  
IVA (Virtual line/Area, Enter/Exit, Loitering, Direction, Intrusion)
- Analytics events : Defocus detection, Motion detection, Tampering, Fog detection  
Audio detection, Sound classification, Shock detection, Appear/Disappear
- IP66, IP67, NEMA4X, IK10

## Compatible Accessories (Optional)



SBP-167HMW

映像	
映像素子	1/1.8" progressive CMOS
解像度	3840x2160, 3328x1872, 3072x1728, 2592x1944, 2688x1520, 1920x1080, 1600x1200, 1280x1024, 1280x960, 1280x720, 1024x768, 800x600, 800x448, 720x576, 720x480, 640x480, 640x360, 320x240
最大フレームレート	H.265/H.264: Max. 30fps/25fps(60Hz/50Hz) MJPEG: Max. 15fps/12fps(60Hz/50Hz)
最低照度	Color: 0.04Lux(F1.3, 1/30sec, 30IRE) BW: 0.004Lux(F1.3, 1/30sec, 30IRE), 0Lux(IR LED on)
映像出力	USB: Micro USB Type B, 1280x720 for installation
レンズ	
焦点距離	4.4~9.3mm(2.1x) motorized varifocal
最大口径比	F1.3(Wide) ~ F2.15(Tele)
画角	H : 112.1°(Wide)~47.5°(Tele) V : 58.0°(Wide)~26.6°(Tele) D : 137.5°(Wide)~54.6°(Tele)
最低被写体距離	0.5m(1.64ft)
フォーカス制御	Simple focus, Manual
レンズタイプ	P-iris(IR corrected)
パンニング/チルト/回転	
パンニング/チルト/回転範囲	0°~360° / -45°~75° / 0°~355°
カメラ機能	
カメラタイトル	Displayed up to 85 characters
デイナイト	Auto(ICR)
逆光補正	BLC, HLC, WDR, SSSDR
Wide Dynamic Range	extremeWDR (120dB)
ノイズ軽減	WiseNR II (Based on AI engine), SSNR V
手振れ補正	Support(built-in gyro sensor)
デフォッグ	Support
モーション検知	8ea, 8point Polygonal zones
プライバシーマスク	32ea, Quadrangle zones - Color : Gray, Green, Red, Blue, Black, White - Mosaic
ゲイン制御	Support
ホワイトバランス	ATW / Narrow ATW / AWC / Manual / Indoor / Outdoor
LDC(レンズ歪曲補正)	Support (Fill/stretch mode)
電子シャッター	Minimum / Maximum / Anti flicker (2~1/12,000sec) prefer shutter control(Based on AI engine)
映像回転	Flip, Mirror, Hallway view(90°/270°)

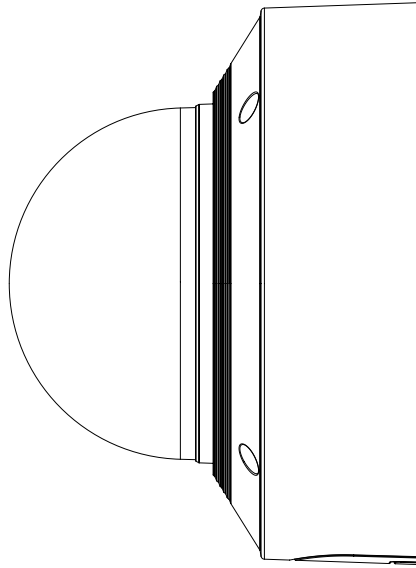
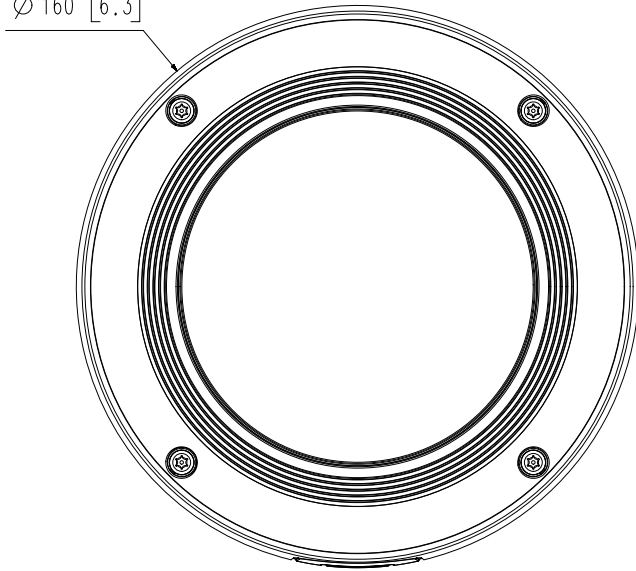
インテリジェントビデオ	- Analytics events based on AI engine : Object detection (Person/Face/Vehicle(car/bus/truck/motorcycle/bicycle)/License plate), IVA (Virtual line/Area, Enter/Exit, Loitering, direction, Appear/Disappear, intrusion) - Analytics events : Defocus detection, Motion detection, Tampering, Fog detection, Audio detection, Sound classification, Shock detection
ビジネスインテリジェンス	Based on AI engine : People counting, Queue management, Heatmap
アラーム入出力	2 configurable I/O ports
アラームトリガー	Analytics, Network disconnect, Alarm input, App event, Time schedule
アラームイベント	When alarm trigger occurred - File upload(image) : e-mail/FTP - Notification : e-mail - Recording : SD/SDHC/SDXC or NAS recording at event triggers - Alarm output - Handover(PTZ preset, Send message by HTTP/HTTPS/TCP) - Audio clip playback
音声入力	Selectable(mic in/line in) Supply voltage: 2.5VDC(4mA), Input impedance: 2K Ohm
音声出力	Line out, Max.output level: 1Vrms
IR 照射距離	WiseIR 40m(131.23ft)
<b>ネットワーク</b>	
イーサネット	Metal shielded RJ-45(10/100BASE-T)
映像圧縮	H.265/H.264: Main/High, MJPEG
音声圧縮	G.711 u-law /G.726 Selectable G.726(ADPCM) 8KHz, G.711 8KHz G.726: 16Kbps, 24Kbps, 32Kbps, 40Kbps AAC-LC: 48Kbps at 16KHz
スマートコーデック	Manual(5ea area), WiseStream II , WiseStreamIII(Based on AI engine)
ビットレート制御	H.264/H.265: CBR or VBR MJPEG: VBR
ストリーミング性能	Unicast(20 users) / Multicast Multiple streaming(Up to 10 profiles, 3 virtual channel support)
プロトコル	IPv4, IPv6, TCP/IP, UDP/IP, RTP(UDP), RTP(TCP), RTCP,RTSP, NTP, HTTP, HTTPS, SSL/TLS, DHCP, FTP, SMTP, ICMP, IGMP, SNMPv1/v2c/v3(MIB-2), ARP, DNS, DDNS, QoS, UPnP, Bonjour, LLDP, SRTP (TCP, UDP Unicast)
セキュリティ	HTTPS(SSL) Login Authentication Digest Login Authentication IP Address Filtering User access log 802.1X Authentication(EAP-TLS, EAP-LEAP, EAP-PEAP MSCHAPv2) Device Certificate(Hanwha Techwin Root CA, pre-installed) Secure by default certificate HTPM (Hanwha Trusted platform module) Secure OS/Boot/Storage, Verify firmware forgery CyberSecurity assurance program UL CAP (UL 2900-1)
応用インターフェイス	ONVIF Profile S/G/T SUNAPI(HTTP API) Wisenet open platform

一般

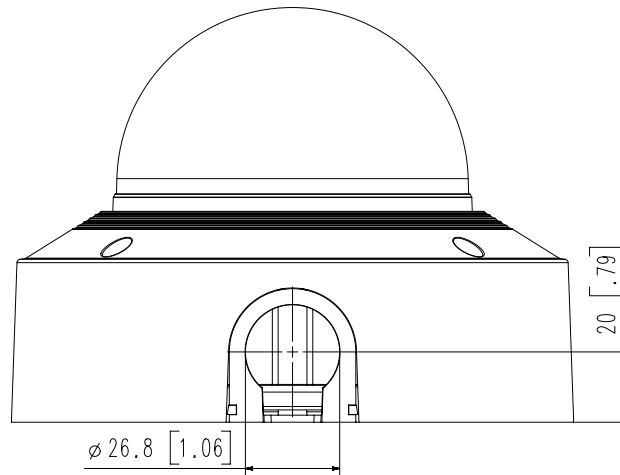
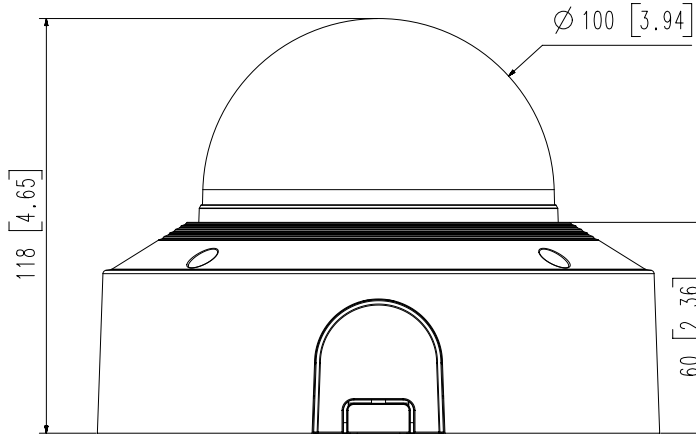
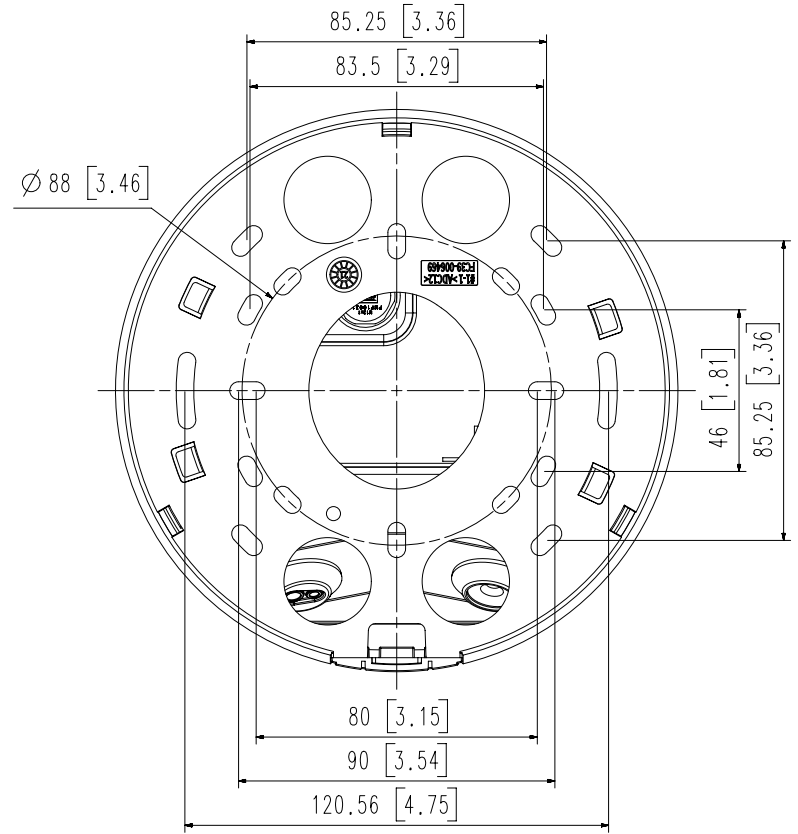
ウェブビューワー言語	English, Korean, Chinese, French, Italian, Spanish, German, Japanese, Russian, Swedish,, Portuguese, Czech, Polish, Turkish, Dutch, Greek, Hungarian
SDカード	Micro SD/SDHC/SDXC 1slot 512GB
メモリー	4GB RAM, 512MB Flash
<b>動作環境/電源</b>	
動作温度/湿度	-40°C~+55°C(-40°F ~ +131°F) * Maximum temperature : +60°C (intermittent) * Start up should be done at above -20°C NEMA TS-2 : 74°C 0~95%RH(non-condensing) Humidity control /w GORE vent
保管温度/湿度	-50°C ~ +60°C(-58°F ~ +140°F) / Less than 90% RH
規格認証	IP66/IP67/NEMA4X, IK10
電源	PoE(IEEE802.3af, Class3), 12VDC
消費電力	PoE: Max 12.95W, typical 11.2W 12VDC: Max 13.2W, typical 10.8W
<b>物理的仕様</b>	
カラー/材質	White / Aluminum Hard-coated dome bubble
RAL コード	RAL9003
寸法/重量	Ø160x118mm(Ø6.30x4.65"), 1450g(3.20 lb)
<b>DORI</b>	
Detect (25PPM/ 8PPF)	Wide: 51.7m(169.64ft) / Tele: 174.5m(572.64ft)
Observe (63PPM/ 19PPF)	Wide: 20.7m(67.85ft) / Tele: 69.8m(229.06ft)
Recognize (125PPM/ 38PPF)	Wide: 10.3m(33.93ft) / Tele: 34.9m(114.53ft)
Identify (250PPM/ 76PPF)	Wide: 5.2m(16.96ft) / Tele: 17.5m(57.26ft)

- The latest product information / specification can be found at [hanwha-security.com](http://hanwha-security.com)
- Design and specifications are subject to change without notice.
- Wisenet is the proprietary brand of Hanwha Techwin, formerly known as Samsung Techwin.

Ø 160 [6.3]



Ø 88 [3.46]



4	XNV-C6083R	'21.01.05
3	XNV-C7083R	'21.01.05
2	XNV-C8083R	'21.01.05
1	XNV-C9083R	'21.01.05
No.	MODEL NAME	DATE

Unit:mm[inch] SCALE:1/1 Hanwha Techwin

© Hanwha Techwin Co.,Ltd. All rights reserved.

A2