

XNV-C6083R

2MP AI IR Vandal Dome Camera

Network



FC |  | CE | ENEC

Key Features

- 2MP resolution
- 2.8~12mm (4.3x) motorized varifocal
- Color: 0.011 Lux (F1.4, 1/30sec, 30IRE), 0 Lux (IR LED on)
- Maximum 60 fps@2MP (H.265/H.264)
- WiselR: IR viewable length 40m (131.23 ft)
- Day & Night (ICR), extremeWDR (150 dB)
- DIS with built-in Gyro sensor
- Hard-coated dome bubble
- Analytics events based on AI engine (NPU) : Object detection (Person/Face/Vehicle - car, truck, bus, bicycle, motorcycle/License plate),
IVA (Virtual line/Area, Enter/Exit, Loitering, Direction, Intrusion)
- Analytics events : Defocus detection, Motion detection, Tampering, Fog detection
Audio detection, Sound classification, Shock detection, Appear/Disappear
- IP66, IP67, NEMA4X, IK10

Compatible Accessories (Optional)



SBP-167HMW

| 映像 | |
|--------------------|----------------------------------------------------------------------------------------------------------------------------------------------------------------------------------------------------------------------|
| 映像素子 | 1/2.8" progressive CMOS |
| 解像度 | 1920x1080, 1280x1024, 1280x960, 1280x720, 1024x768, 800x600, 800x448, 720x576, 720x480, 640x480, 640x360, 320x240 |
| 最大フレームレート | H.265/H.264: Max. 60fps/50fps(60Hz/50Hz) MJPEG: Max. 30fps/25fps(60Hz/50Hz) |
| 最低照度 | Color: 0.01Lux(F1.4, 1/30sec, 30IRE) B/W: 0.001Lux(F1.4, 1/30sec, 30IRE), 0Lux(IR LED on), 30/25fps Color: 0.02Lux(F1.4, 1/60sec, 30IRE) B/W: 0.002Lux(F1.4, 1/60sec, 30IRE), 0Lux(IR LED on), 60/50fps |
| 映像出力 | USB: Micro USB Type B, 1280x720 for installation |
| レンズ | |
| 焦点距離 | 2.8~12mm(4.3x) motorized varifocal |
| 最大口径比 | F1.4(Wide) ~ F3.6(Tele) |
| 画角 | H: 119.5°(Wide) ~ 27.9°(Tele) V: 62.8°(Wide) ~ 15.7°(Tele) D: 142.1°(Wide) ~ 32.0°(Tele) |
| 最低被写体距離 | 0.5m(1.64ft) |
| フォーカス制御 | Simple focus, Manual |
| レンズタイプ | DC auto iris with hall sensor (IR corrected) |
| パンニング/チルト/回転 | |
| パンニング/チルト/回転範囲 | 0°~360° / -45°~75° / 0°~355° |
| カメラ機能 | |
| カメラタイトル | Displayed up to 85 characters |
| デイナイト | Auto(ICR) |
| 逆光補正 | BLC, HLC, WDR, SSSDR |
| Wide Dynamic Range | extremeWDR (150dB) |
| ノイズ軽減 | WiseNR II (Based on AI engine), SSNR V |
| 手振れ補正 | Support(built-in gyro sensor) |
| デフォッグ | Support |
| モーション検知 | 8ea, 8point Polygonal zones |
| プライバシーマスク | 32ea, Quadrangle zones - Color : Gray, Green, Red, Blue, Black, White - Mosaic |
| ゲイン制御 | Support |
| ホワイトバランス | ATW / Narrow ATW / AWC / Manual / Indoor / Outdoor |
| LDC(レンズ歪曲補正) | Support (Fill/stretch mode) |
| 電子シャッター | Minimum / Maximum / Anti flicker (2~1/12,000sec) prefer shutter control(Based on AI engine) |
| 映像回転 | Flip, Mirror, Hallway view(90°/270°) |

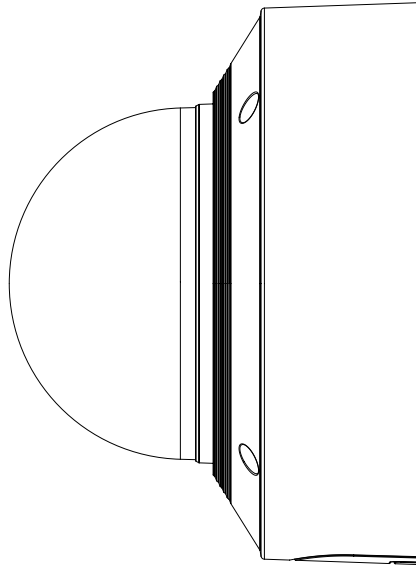
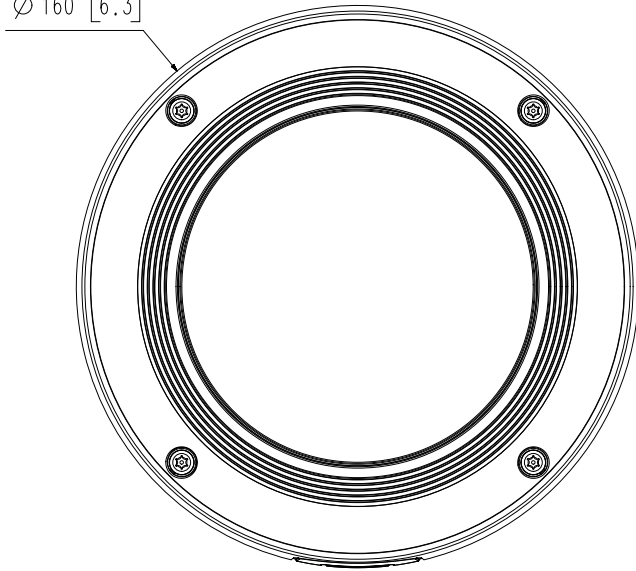
| | |
|---------------|--------------------------------------------------------------------------------------------------------------------------------------------------------------------------------------------------------------------------------------------------------------------------------------------------------------------------------------------------------------------------------------------------------------------------|
| インテリジェントビデオ | - Analytics events based on AI engine : Object detection (Person/Face/Vehicle(car/bus/truck/motorcycle/bicycle)/License plate), IVA (Virtual line/Area, Enter/Exit, Loitering, direction, Appear/Disappear, intrusion) - Analytics events : Defocus detection, Motion detection, Tampering, Fog detection, Audio detection, Sound classification, Shock detection |
| ビジネスインテリジェンス | Based on AI engine : People counting, Queue management, Heatmap |
| アラーム入出力 | 2 configurable I/O ports |
| アラームトリガー | Analytics, Network disconnect, Alarm input, App event, Time schedule |
| アラームイベント | When alarm trigger occurred - File upload(image) : e-mail/FTP - Notification : e-mail - Recording : SD/SDHC/SDXC or NAS recording at event triggers - Alarm output - Handover(PTZ preset, Send message by HTTP/HTTPS/TCP) - Audio clip playback |
| 音声入力 | Selectable(mic in/line in) Supply voltage: 2.5VDC(4mA), Input impedance: 2K Ohm |
| 音声出力 | Line out, Max.output level: 1Vrms |
| IR 照射距離 | WiseIR 40m(131.23ft) |
| ネットワーク | |
| イーサネット | Metal shielded RJ-45(10/100BASE-T) |
| 映像圧縮 | H.265/H.264: Main/High, MJPEG |
| 音声圧縮 | G.711 u-law /G.726 Selectable G.726(ADPCM) 8KHz, G.711 8KHz G.726: 16Kbps, 24Kbps, 32Kbps, 40Kbps AAC-LC: 48Kbps at 16KHz |
| スマートコーデック | Manual(5ea area), WiseStream II , WiseStreamIII(Based on AI engine) |
| ビットレート制御 | H.264/H.265: CBR or VBR MJPEG: VBR |
| ストリーミング性能 | Unicast(20 users) / Multicast Multiple streaming(Up to 10 profiles, 3 virtual channel support) |
| プロトコル | IPv4, IPv6, TCP/IP, UDP/IP, RTP(UDP), RTP(TCP), RTCP,RTSP, NTP, HTTP, HTTPS, SSL/TLS, DHCP, FTP, SMTP, ICMP, IGMP, SNMPv1/v2c/v3(MIB-2), ARP, DNS, DDNS, QoS, UPnP, Bonjour, LLDP, SRTP (TCP, UDP Unicast) |
| セキュリティ | HTTPS(SSL) Login Authentication Digest Login Authentication IP Address Filtering User access log 802.1X Authentication(EAP-TLS, EAP-LEAP, EAP-PEAP MSCHAPv2) Device Certificate(Hanwha Techwin Root CA, pre-installed) Secure by default certificate HTPM (Hanwha Trusted platform module) Secure OS/Boot/Storage, Verify firmware forgery CyberSecurity assurance program UL CAP (UL 2900-1) |
| 応用インターフェイス | ONVIF Profile S/G/T SUNAPI(HTTP API) Wisenet open platform |

一般

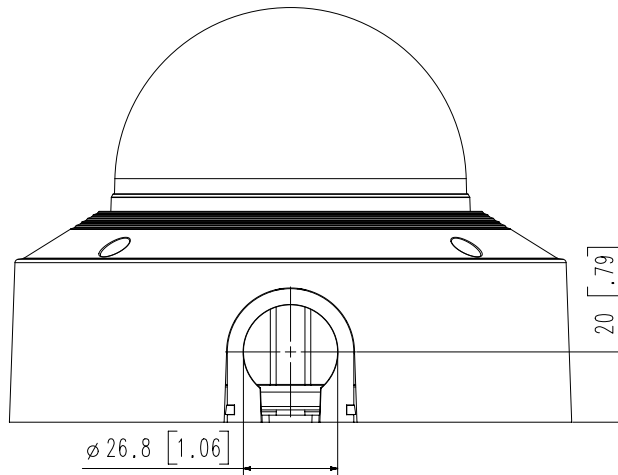
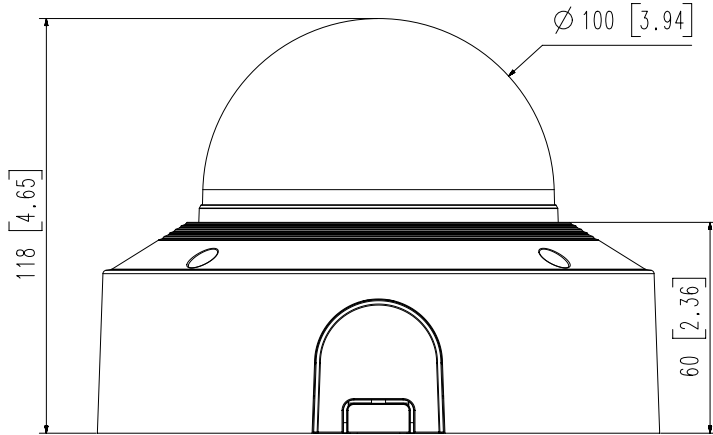
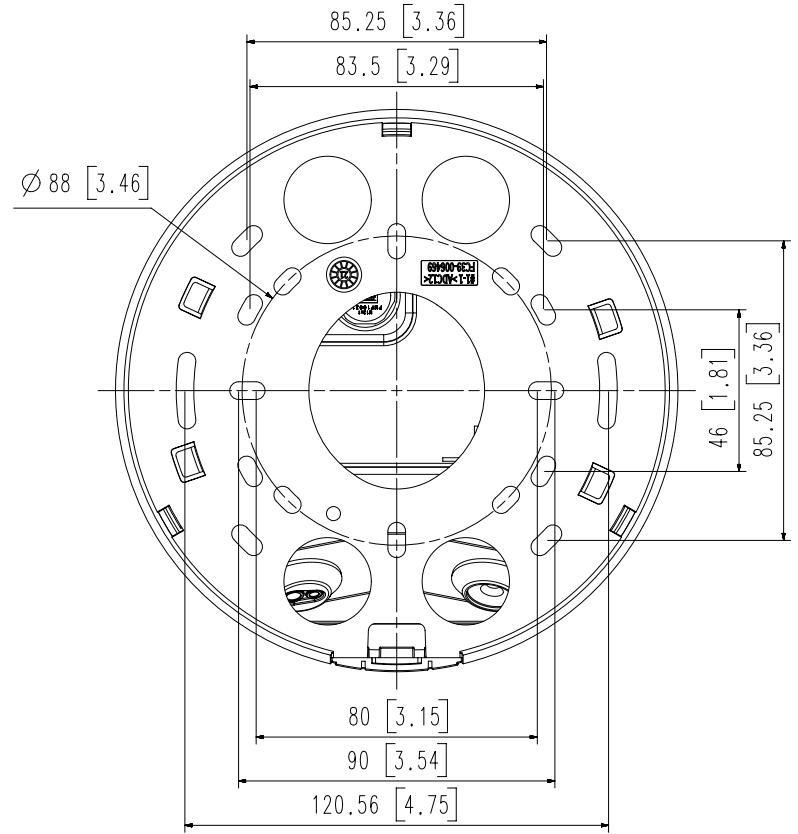
| | |
|---------------------------|---------------------------------------------------------------------------------------------------------------------------------------------------------------------------------------------------------|
| ウェブビューワー言語 | English, Korean, Chinese, French, Italian, Spanish, German, Japanese, Russian, Swedish,, Portuguese, Czech, Polish, Turkish, Dutch, Greek, Hungarian |
| SDカード | Micro SD/SDHC/SDXC 1slot 512GB |
| メモリー | 2GB RAM, 512MB Flash |
| 動作環境/電源 | |
| 動作温度/湿度 | -40°C~+55°C(-40°F ~ +131°F) * Maximum temperature : +60°C (intermittent) * Start up should be done at above -20°C NEMA TS-2 : 74°C 0~95%RH(non-condensing) Humidity control /w GORE vent |
| 保管温度/湿度 | -50°C ~ +60°C(-58°F ~ +140°F) / Less than 90% RH |
| 規格認証 | IP66/IP67/NEMA4X, IK10 |
| 電源 | PoE(IEEE802.3af, Class3), 12VDC |
| 消費電力 | PoE: Max 12.95W, typical 10.8W 12VDC: Max 12.5W, typical 10.0W |
| 物理的仕様 | |
| カラー/材質 | White / Aluminum Hard-coated dome bubble |
| RAL コード | RAL9003 |
| 寸法/重量 | Ø160x118mm(Ø6.30x4.65"), 1450g(3.20 lb) |
| DORI | |
| Detect (25PPM/ 8PPF) | Wide: 22.4m(73.47ft) / Tele: 154.6m(507.18ft) |
| Observe (63PPM/ 19PPF) | Wide: 9.0m(29.39ft) / Tele: 61.8m(202.87ft) |
| Recognize (125PPM/ 38PPF) | Wide: 4.5m(14.69ft) / Tele: 30.9m(101.44ft) |
| Identify (250PPM/ 76PPF) | Wide: 2.2m(7.35ft) / Tele: 15.5m(50.72ft) |

- The latest product information / specification can be found at hanwha-security.com
- Design and specifications are subject to change without notice.
- Wisenet is the proprietary brand of Hanwha Techwin, formerly known as Samsung Techwin.

Ø 160 [6.3]



Ø 88 [3.46]



| | | |
|-----|------------|-----------|
| 4 | XNV-C6083R | '21.01.05 |
| 3 | XNV-C7083R | '21.01.05 |
| 2 | XNV-C8083R | '21.01.05 |
| 1 | XNV-C9083R | '21.01.05 |
| No. | MODEL NAME | DATE |

Unit:mm[inch] SCALE:1/1 Hanwha Techwin

© Hanwha Techwin Co.,Ltd. All rights reserved.

A2