



SBV-180WW

Back Box

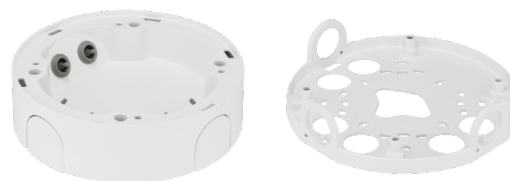


Key Features

- Color : White
- Material : Aluminum
- Weight : 1,183g (2.61lb)
- Operation Temperature : -50°C ~ +60°C (-58°F ~ +140°F)
- Operation Humidity : Less than 100% RH
- Certification : IP66, IK10, NEMA4X

SBV-180WW

Back Box



Specifications

Environmental

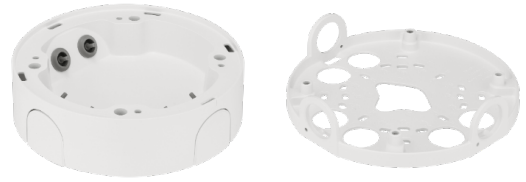
Certification	IP66, IK10, NEMA4X
---------------	--------------------

Mechanical

Color	White
Material	Aluminum
RAL code	RAL9003
Product dimensions / weight	Φ184.2x61.0mm (Φ7.25x2.40") / 1,183g (2.61lb)
Mount Screw size	TR20
Conduit hole	19.1mm(3/4") (M25)
Supported products	XNV-6080R/L6080R/6085/6120R/8080R XNV-6081R/8081R/6083R/8083R/8093R/9083R XNV-C6083R/C7083R/C8083R/C9083R ※ For further compatible models, please visit our website or use Toolbox

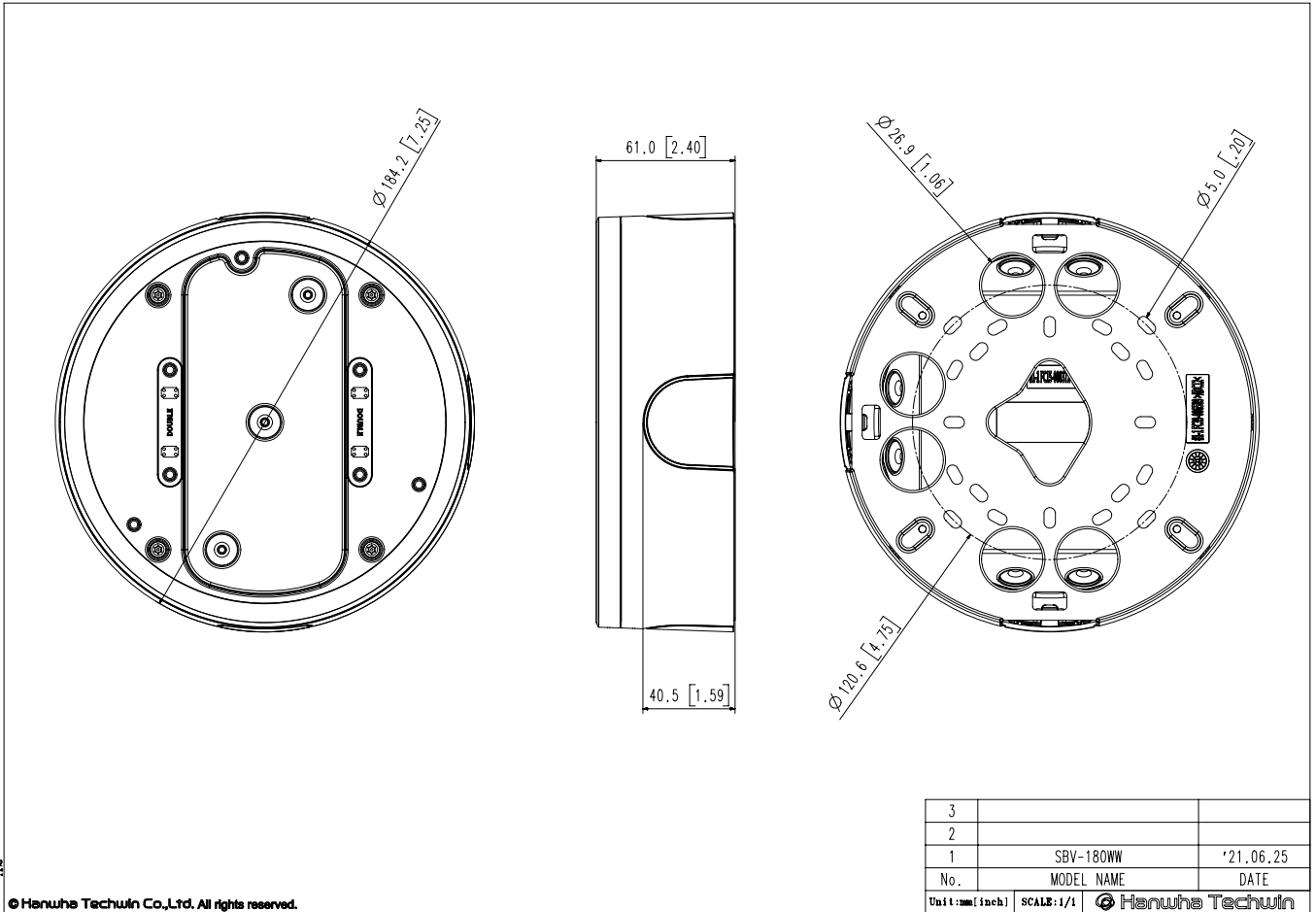
SBV-180WW

Back Box



CAD

Unit: mm [inch]



A2

© Hanwha Techwin Co., Ltd. All rights reserved.