

DATASHEET

PART NO: **024584**

CELLULAR 5G DIPOLE ANTENNA

The 024584 is an economically priced, compact, unity gain 5G antenna suited for use in bands 690 – 960 MHz, 1710 – 2700 MHz & 3575 – 3700 MHz. It comes standard with 3 m (10 ft) of low loss cable terminating in an SMA male connector & is suited for mounting onto a wall bracket. This antenna can be used inside or outside, in fixed applications. The 024584 is decoupled from the feed cable and offers a clean radiation pattern at all frequencies.

APPLICATIONS

Fixed solutions suited for use in the 5G cellular bands: 690 – 960 MHz, 1710 – 2700 MHz & 3575 – 3700 MHz.

TUNING

Factory tuned; no tuning required.

FEATURES

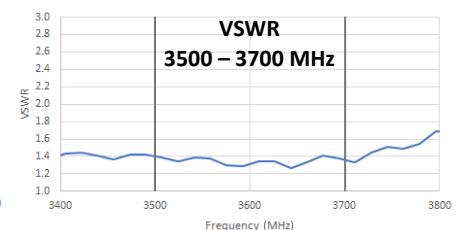
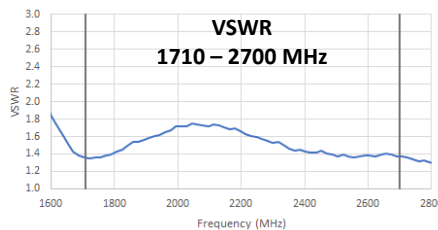
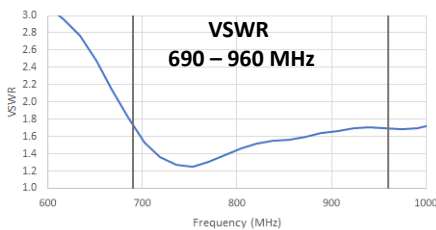
- Cellular **5G** (compatible with 4G & 3G)
- Economically priced
- Can be used inside or outside
- Comes complete with 3m (10 ft) of low loss cable terminating in an SMA male connector
- Reliable, Durable & Compact
- Ground Plane Independent
- May be mounted vertically or horizontally
- Mtg Stud 16 mm (0.6") BSW
- Depth 17.6 mm (0.7")



OPTIONAL MOUNTINGS

- [027281](#) Stainless Steel Wall Bracket 223 mm (8.8")
- [02729](#) Stainless Steel Wall Bracket 58 mm (2.2")
- [02728](#) Stainless Steel Pole Bracket 30 mm (1.2")

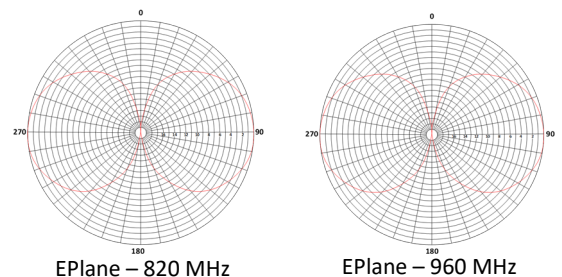
VSWR



SPECIFICATIONS

Frequency	@ 690 – 960 MHz, Tuned BW 270 MHz; @ 1710 – 2700 MHz Tuned BW 990 MHz; @ 3575 – 3700 MHz Tuned BW 125 MHz.
VSWR	2.0:1 max
Gain	1.8 – 4.7 dBi
Impedance	50 Ω nominal
Radiation Pattern	Omni directional
E Plane Beamwidth	80 °
Projected Area	0.008370 m ² (0.027 ft ²)
Power	5 Watts
Length	186 mm (7.3")
Weight	200 g (7 oz)
Termination	3m (10 ft) Low Loss Cable, SMA Male
Windloading @ 160 KPH	1.85 kg (4 lb)

RADIATION PLOTS



WARRANTY

3 Years (Please refer to [Benelec Terms & Conditions](#))

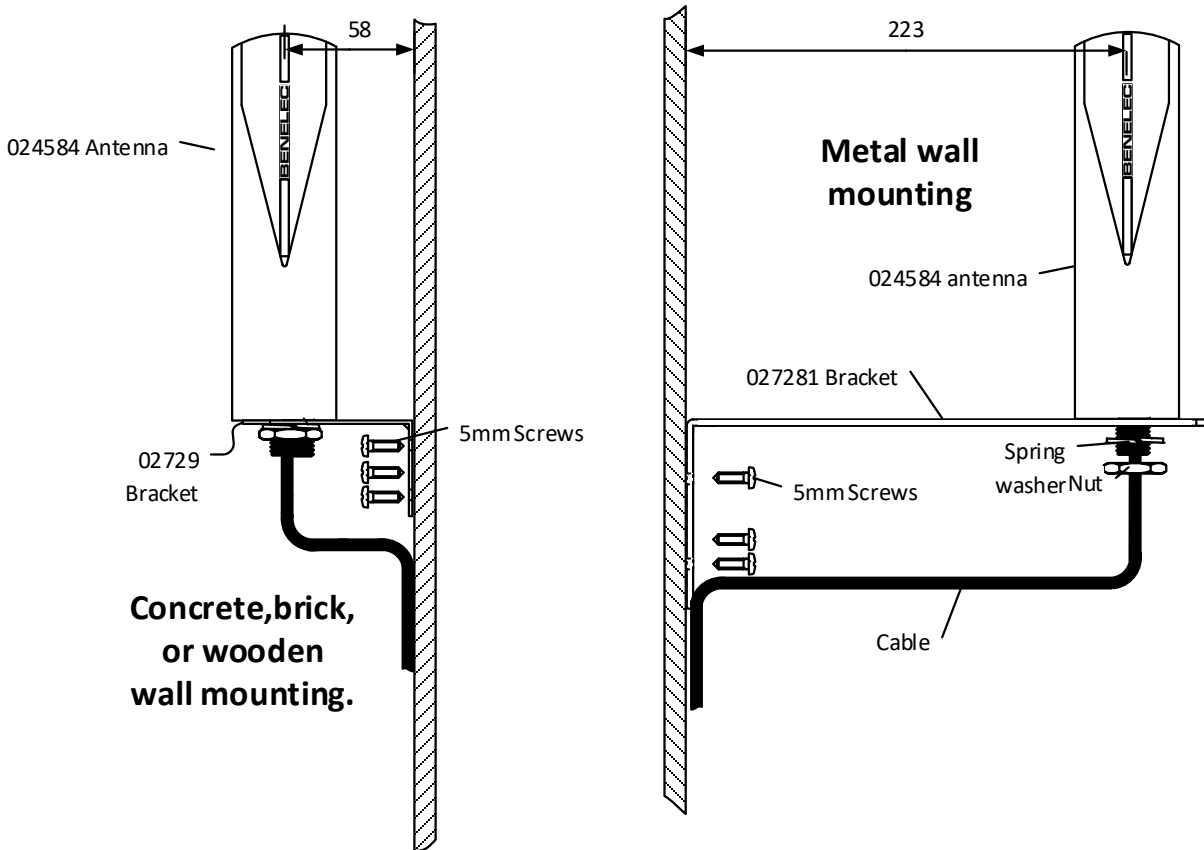
PACKAGING

Poly Bag – 20 pcs / carton @ G.W. 5 kg (11 lb), 300 mm x 300 mm x 300 mm (12" x 12" x 12")

024584 INSTALLATION INSTRUCTIONS

CELLULAR 5G DIPOLE ANTENNA

PART NO: 024584



For wall mounting the 024584 antenna must be mounted according to the type of mounting surface material. Close mounting to metal surfaces will affect the VSWR and radiation pattern shape and performance. The use of the bracket 027281 is recommended when mounting against a metal surface.

- Fit the desired bracket to the wall using the screws shown.
- Loosen the nut and spring washer on the base of the antenna and slide down the cable.
- Locate the antenna onto the bracket and position the thread into the hole.
- Relocate the spring washer and nut, and then tighten the nut (do not over tighten).
- Route the cable to the transceiver.

For pole mounting the 024584 antenna must be mounted above the pole. The use of the bracket 02728 is recommended when mounting against a metal surface

- Fit the desired bracket to the pole.
- Loosen the nut and spring washer on the base of the antenna and slide down the cable.
- Locate the antenna onto the bracket and position the thread into the hole.
- Relocate the spring washer and nut, and then tighten the nut (do not over tighten).
- Route the cable to the transceiver.

